

S9407-AB-HBK-010

# Conduit Systems for Shipboard Electromagnetic Shielding

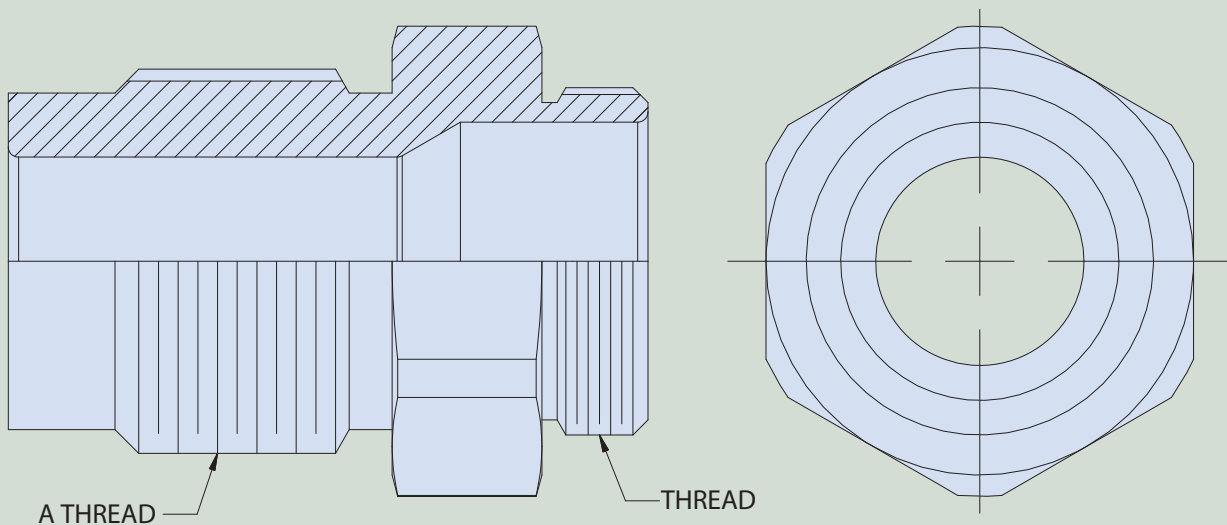
## RP2420 Adapter for MIL-C-24321 hull fitting



### ADAPTER TO M24321 HULL FITTING IAW S9407-AB-HBK-010 REV 2, RP2420



How To Order				
Sample Part Number	RP2420	-05	-12	SM
Basic Part Number	Adapter to M24321 hull fitting			
A Thread Code	01, 02, 03, 04, 05, 06			
Conduit Size Code	02, 03, 04, 05, 06, 08, 10, 12, 16, 20, 24			
Material / Finish	SN = mild steel with cadmium over electroless nickel finish SM = mild steel with electroless nickel finish IAW AMS 2404C (SM supersedes "no suffix" code reserved for legacy parts)			



RP2000

### MATERIAL / FINISH

Mild Steel AISI Type B1113 IAW Fed-STD-66