

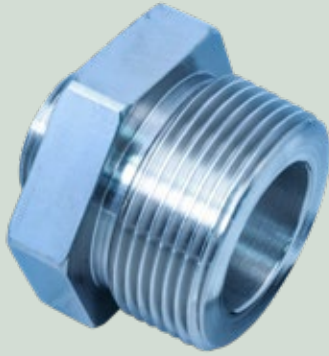
S9407-AB-HBK-010

# Conduit Systems for Shipboard Electromagnetic Shielding



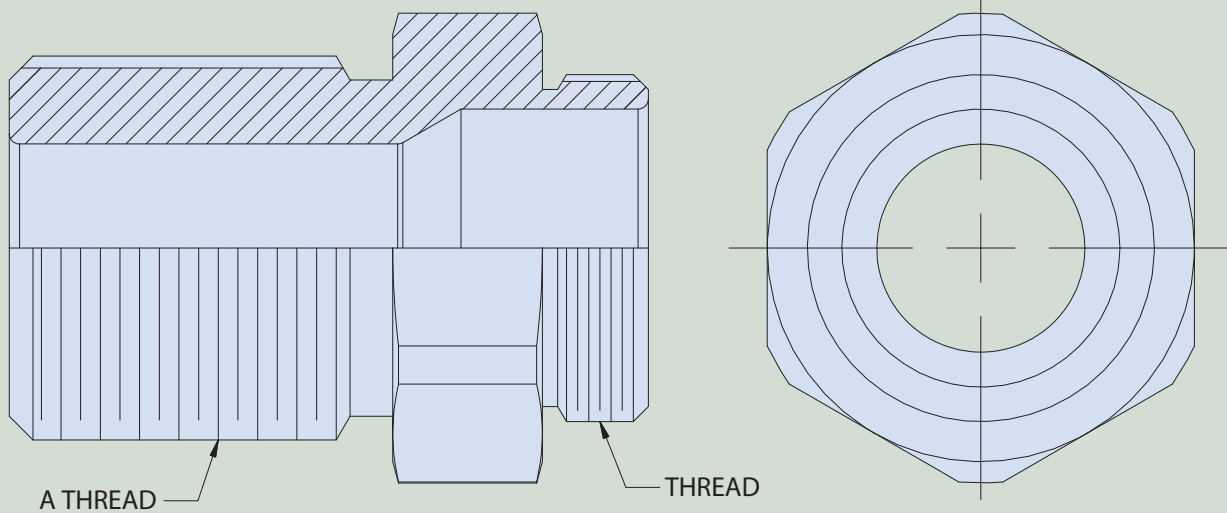
## RP2411 General-use threaded fitting adapter

### GENERAL-USE ADAPTER IAW S9407-AB-HBK-010 REV 2, RP2411



How To Order				
<b>Sample Part Number</b>	RP2411	-04	-08	SM
<b>Basic Part Number</b>	Adapter, general-use			
<b>A Thread Code</b>	01, 03, 04, 06, 07, 09, 10, 13, 16, 19, 20, 21			
<b>Conduit Size Code</b>	02, 03, 04, 05, 06, 08, 10, 12, 16, 20, 24			
<b>Material / Finish</b>	SN = mild steel with cadmium over electroless nickel finish SM = mild steel with electroless nickel finish IAW AMS 2404C (SM supersedes "no suffix" code reserved for legacy parts)			

RP2000



### MATERIAL / FINISH

Mild Steel AISI Type B1113 IAW Fed-STD-66