

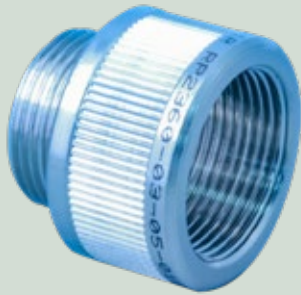
S9407-AB-HBK-010

Conduit Systems for Shipboard Electromagnetic Shielding



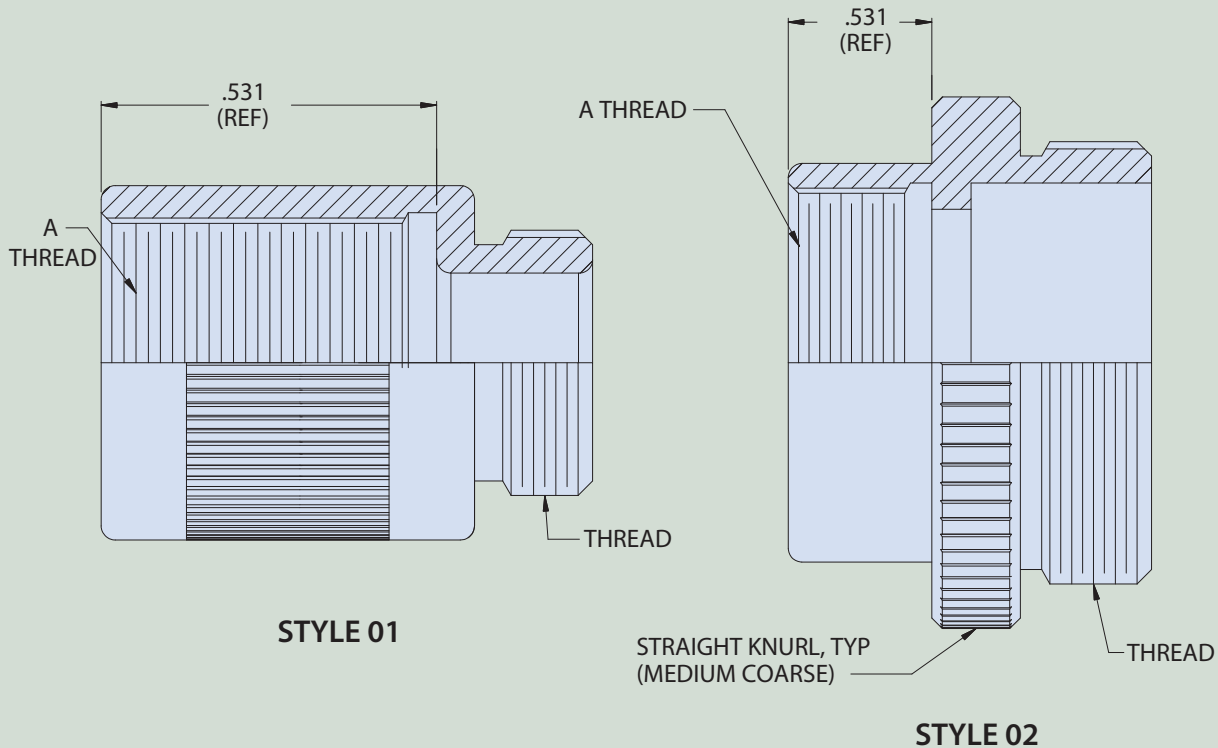
RP2360 Adapter for MIL-C-28840 (EC) backshell

ADAPTER TO M28840 BACKSHELL IAW S9407-AB-HBK-010 REV 2, RP2360



How To Order					
Sample Part Number	RP2360	-06	-08	-01	SM
Basic Part Number	Adapter to M28840 backshell				
A Thread Code	01 – 15, see sales drawing for details				
Conduit Size Code	02, 03, 04, 05, 06, 08, 10, 12, 16, 20, 24				
Style Code	-01, 02, 03, see sales drawing for details				
Material / Finish	SN = mild steel with cadmium over electroless nickel finish SM = mild steel with electroless nickel finish IAW AMS 2404C (SM supersedes "no suffix" code reserved for legacy parts)				

RP2000



MATERIAL / FINISH

Mild Steel AISI Type B1113 IAW Fed-STD-66

NOTES

Style 01 - use when "K" diameter is smaller than "E" diameter of Style 02.
 Style 02 - use when "K" diameter is equal to or larger than "E" diameter.