

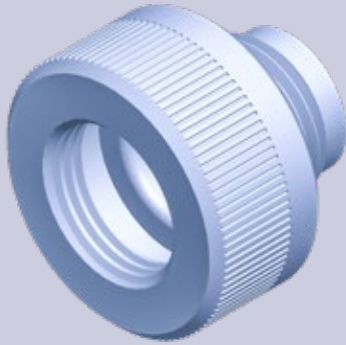
S9407-AB-HBK-010

# Conduit Systems for Shipboard Electromagnetic Shielding



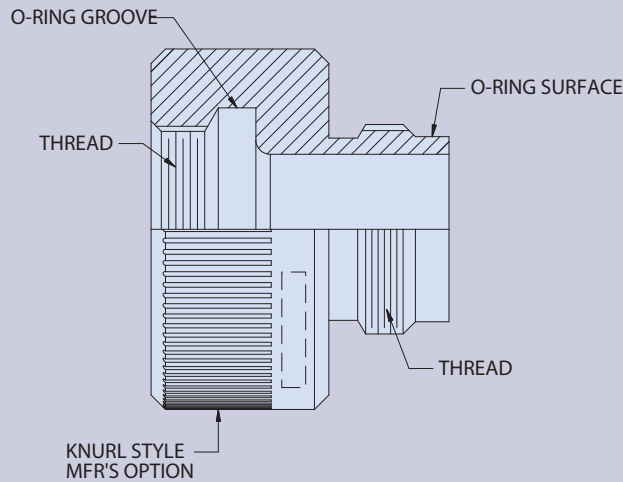
## GR2130 Isolator adapter

GR2000



### ISOLATOR ADAPTER IAW S9407-AB-HBK-010 REV 2, GR2130

How To Order				
<b>Sample Part Number</b>	<b>GR2130</b>	<b>-05</b>	<b>-N</b>	<b>-10SL</b>
<b>Basic Part Number</b>	Isolator adapter			
<b>Thread Size</b>	01 - 55. See sales drawing for full details.			
<b>Material</b>	N - Nylon STN - Super Tough Nylon			
<b>Connector Shell Size</b>	8S, 8, 10S, 10SL, 12S, 14S, 16S, 12, 14, 16, 18, 20, 22, 24, 28, 32, 36, 40, 44, 48. See sales drawing GR2120 for specifics			



### MATERIAL / FINISH

Adapter - Nylon / None