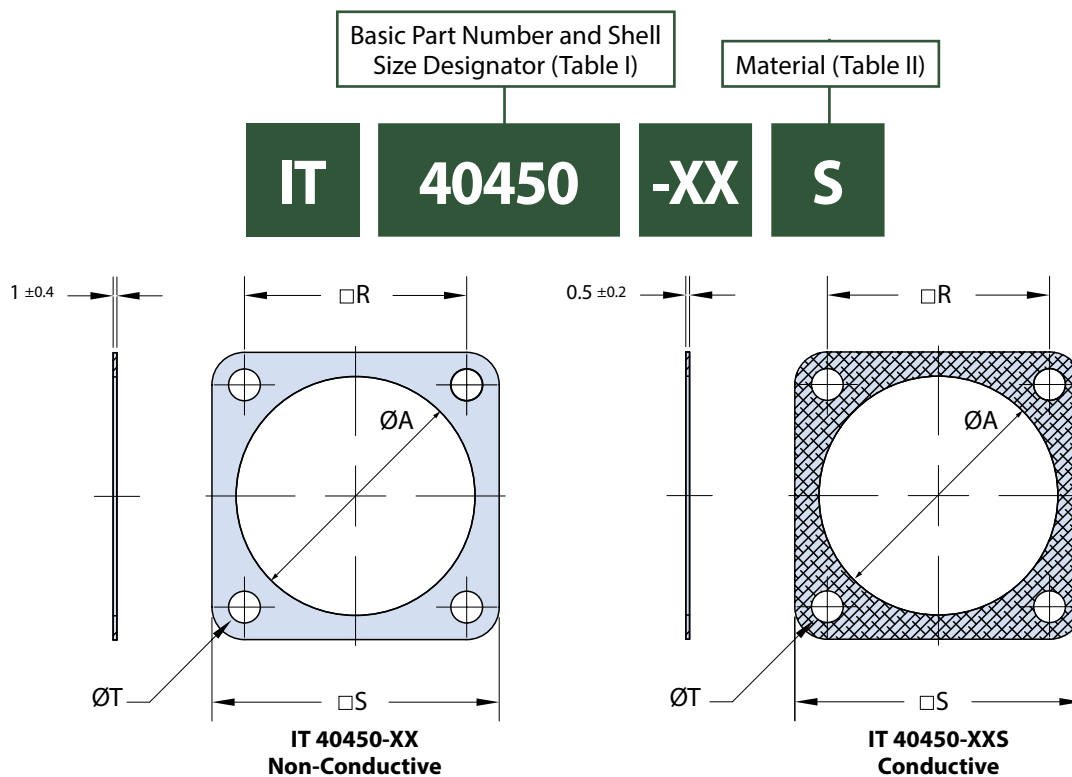


IT 40450-XX and IT 40450-XX S Connector Mounting Gaskets for Front-Mounted Square Flange Receptacle



**TABLE I: CONDUCTIVE & NON-CONDUCTIVE
FIXED CONNECTOR GASKETS**

Part Number	Shell Size	ØA +0.3	R ±0.2	S ±0.5	ØT +0.5
IT 40450 - 10	10SL	15.7	18.2	25.4	4.2
IT 40450 - 14	14S	22.1	23.0	30.0	4.2
IT 40450 - 16	16S - 16	25.3	24.6	32.5	4.2
IT 40450 - 18	18	28.4	27.0	35.0	4.2
IT 40450 - 20	20	31.6	29.4	38.0	4.2
IT 40450 - 22	22	34.8	31.8	41.0	4.2
IT 40450 - 24	24	38.0	34.9	44.5	4.2
IT 40450 - 28	28	44.3	39.7	50.8	5.1
IT 40450 - 32	32	50.7	44.5	57.0	5.1
IT 40450 - 36	36	57.0	49.2	63.5	5.1
IT 40450 - 40	40	62.5	55.5	69.9	5.1

TABLE II

MATERIAL	
Sym	Description
	Omit for Neoprene
S	Wire Mesh in Neoprene Substrate (Conductive)
F	Fluorosilicone
V	Viton
Y	Silicone

Application Notes

- Conductive and non-conductive gasket for front-mount square flange receptacles.