

IT 37267-XXBRXX BR Adapter for Termination of UNI4883 Rubber Conduit

Basic Part Number and Shell Size
Designator (Table I)

Nipple End Dimension
Designator

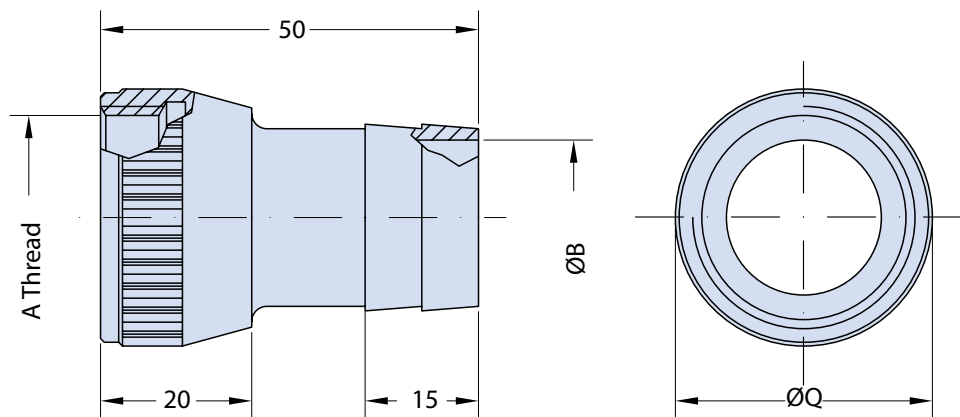
Finish Options
(Table II)

IT

37267-32

BR4035

XX



Application Notes

1. Backshell for the attachment of UNI4883 type rubber conduit.
2. Standard materials configuration consists of aluminum alloy. For platings, see TABLE II finish options.

**IT 37267-XXBRXX
BR Adapter
for Termination of UNI4883 Rubber Conduit**

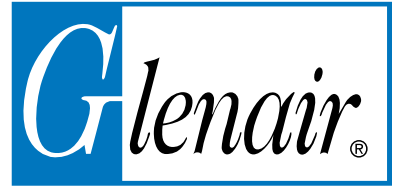


TABLE I: ADAPTER PART NUMBERS, SHELL SIZE, THREAD & DIMENSIONS

Part Number	Shell Size	A Thread	ØB ±0.1	ØQ ±0.2
IT 37267-10BR 1712	10SL	0.6250 - 24UNEF	10.5	20.0
IT 37267-14SBR 2722	14S	0.7500 - 20UNEF	16.5	25.0
IT 37267-16/16SBR 1712	16-16S	0.8750 - 20UNEF	10.5	28.0
IT 37267-16/16SBR 2015	16-16S	0.8750 - 20UNEF	14.0	28.0
IT 37267-18BR 2722	18	1.0000 - 20UNEF	20.5	30.0
IT 37267-20/22BR 1712	20 - 22	1.1875 - 18UNEF	10.5	34.0
IT 37267-20/22BR 2520	20 - 22	1.1875 - 18UNEF	18.5	34.0
IT 37267-20/22BR 2722	20 - 22	1.1875 - 18UNEF	20.5	34.0
IT 37267-20/22BR 3328	20 - 22	1.1875 - 18UNEF	31.5	34.0
IT 37267-20/22BR 3530	20 - 22	1.1875 - 18UNEF	28.5	34.0
IT 37267-24/28BR 2520	24 - 28	1.4375 - 18UNEF	16.5	45.0
IT 37267-24/28BR 2722	24 - 28	1.4375 - 18UNEF	20.5	45.0
IT 37267-24/28BR 3025	24 - 28	1.4375 - 18UNEF	23.5	45.0
IT 37267-24/28BR 3328	24 - 28	1.4375 - 18UNEF	26.5	45.0
IT 37267-24/28BR 3530	24 - 28	1.4375 - 18UNEF	26.5	45.0
IT 37267-24/28BR 3833	24 - 28	1.4375 - 18UNEF	31.5	45.0
IT 37267-24/28BR 5045	24 - 28	1.4375 - 18UNEF	43.5	52.0
IT 37267-32BR 3025	32	1.7500 - 18UNS	23.5	53.0
IT 37267-32BR 3328	32	1.7500 - 18UNS	26.5	53.0
IT 37267-32BR 3530	32	1.7500 - 18UNS	28.5	53.0
IT 37267-32BR 4035	32	1.7500 - 18UNS	31.5	53.0
IT 37267-32BR 4540	32	1.7500 - 18UNS	38.5	53.0
IT 37267-32BR 5045	32	1.7500 - 18UNS	40.0	53.0
IT 37267-36BR 3530	36	2.0000 - 18UNS	26.5	57.4
IT 37267-36BR 4035	36	2.0000 - 18UNS	31.5	57.4
IT 37267-36BR 5045	36	2.0000 - 18UNS	43.5	57.4
IT 37267-40BR 3530	40	2.2500 - 16UN	28.5	63.0
IT 37267-40BR 4035	40	2.2500 - 16UN	31.5	63.0
IT 37267-40BR 4540	40	2.2500 - 16UN	38.5	63.0
IT 37267-40BR 5045	40	2.2500 - 16UN	43.5	63.0
IT 37267-40BR 5550	40	2.2500 - 16UN	48.5	63.0

TABLE II

STANDARD MATERIAL AND FINISH (*)		
Sym	Description	RoHS
	Omit for Aluminum/ Cadmium Olive Drab	
F6	Aluminum/ Black Electrodeposited Paint	✓
F7	Aluminum/ Black Zinc Nickel	✓
F11	Aluminum/ Electroless Nickel	✓
MB	Marine Bronze/ Unplated	✓
FK	Stainless Steel/ Passivate	✓

(*) For further options, please contact the factory.