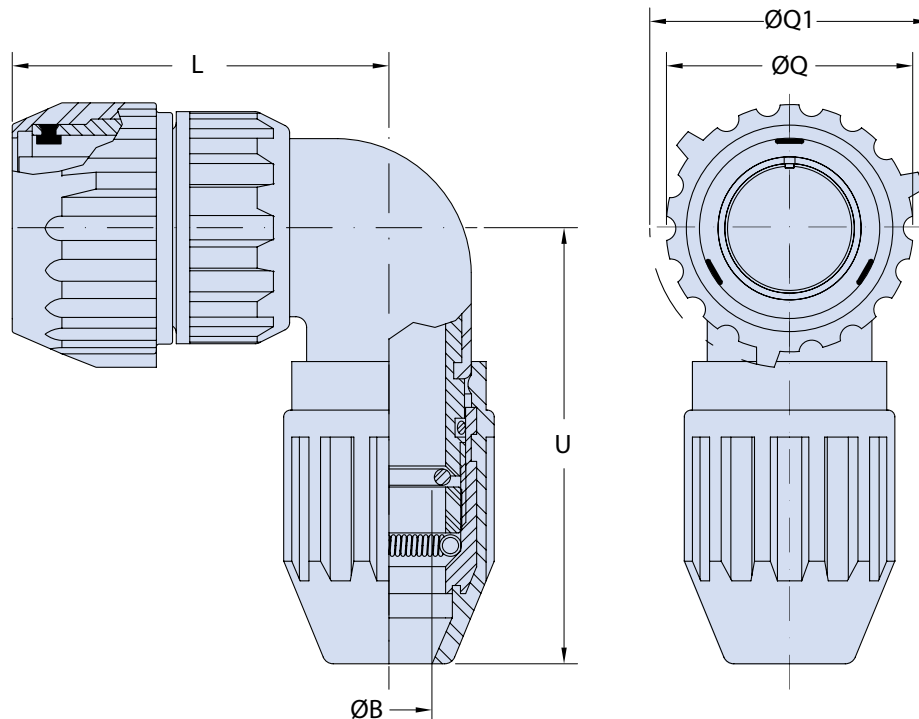
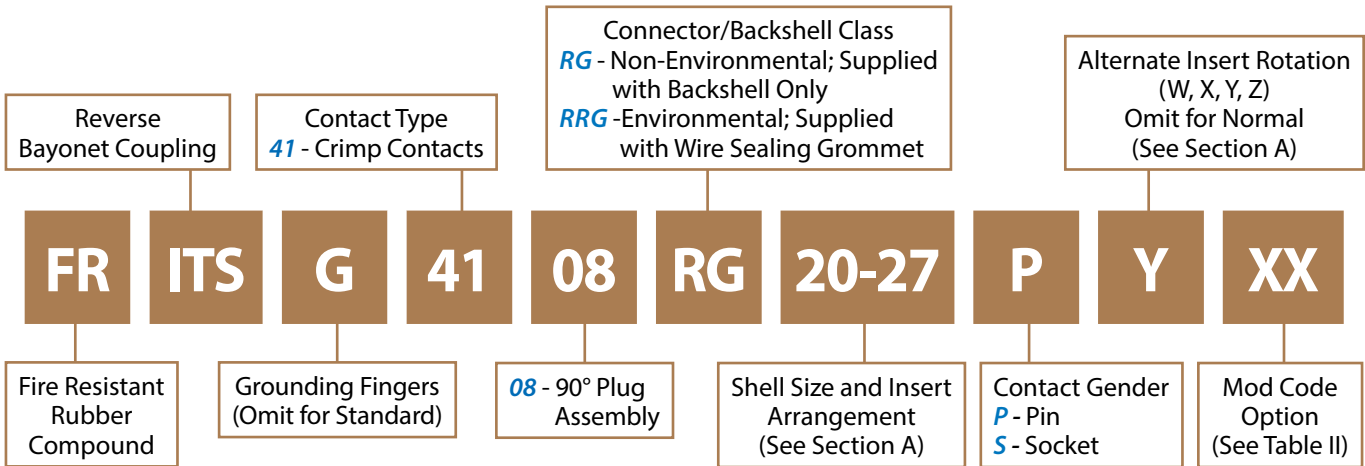


ITS 4108 RG and ITS 4108 RRG 90° Cylindrical Plug Connector with Rubber-Coated Cable Sealing Backshell



Application Notes

- 90° plug connector with rubber-coated cable clamp.
- RG - Non-Environmental; grommet not supplied.
RRG - Environmental; supplied with wire sealing grommet.
- Standard materials configuration consists of aluminum alloy with plating RoHS compliant.
- Standard contact material consists of copper alloy with silver plating or gold plating.

ITS 4108 RG and ITS 4108 RRG
90° Cylindrical Plug Connector
with Rubber-Coated Cable Sealing Backshell



Series ITS-RG

TABLE I: DIMENSIONS

Shell Size	ØB		L Max.	ØQ ±0.5	ØQ1 ±0.5	U Max.
	Min.	Max.				
18	12.70	15.90	76	43.5	49.0	70
20	15.90	19.00	79	46.5	52.0	74
22	15.90	19.00	79	50.5	56.0	74
24	19.00	22.20	80	54.0	60.0	84
28	22.20	25.40	81	61.0	67.0	84
32	28.50	31.75	89	68.0	76.0	88
36	31.75	34.90	93	74.0	82.0	95
40	38.00	41.27	97	80.0	88.0	100

C

TABLE II: MODIFICATION CODES

CONTACT OPTIONS	
Sym	Description
B0	Connector without Contacts*
B1	Connector with Gold Plated Contacts
Omit for standard version (Silver plated)	

(*) Crimp Contacts Only