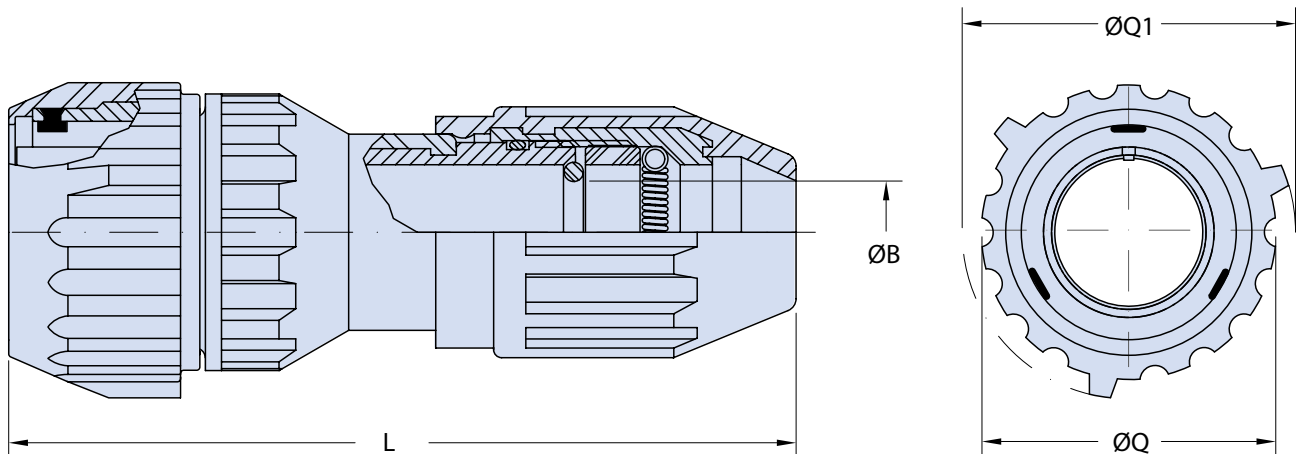
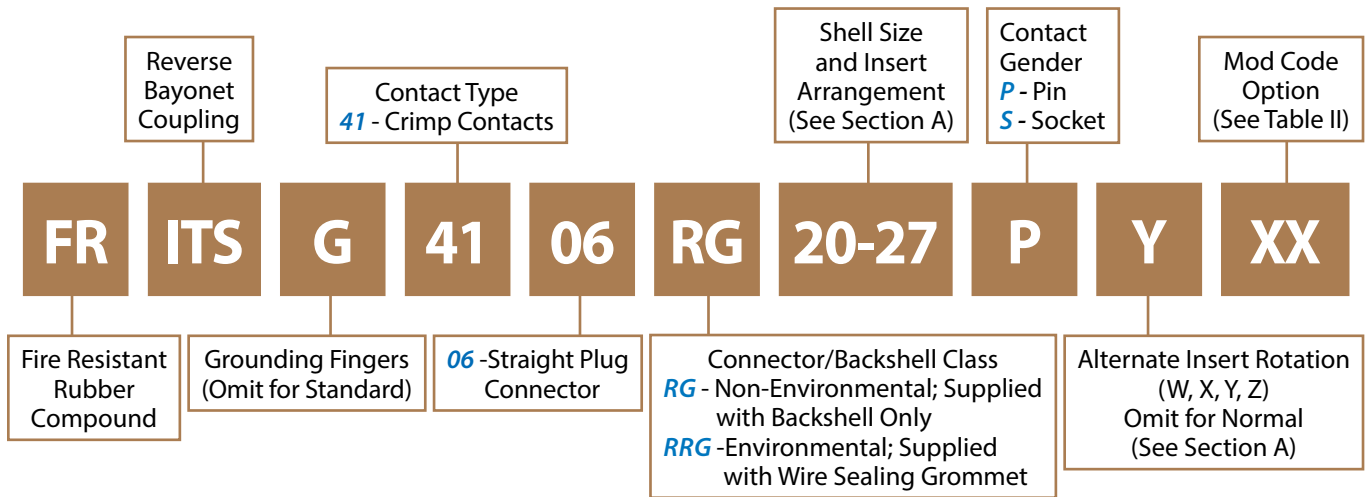


ITS 4106 RG and ITS 4106 RRG Straight Cylindrical Plug Connector with Rubber-Coated Cable Sealing Backshell



Application Notes

1. Straight plug connector with rubber-coated cable sealing backshell with spring style strain relief for use with jacketed cables.
2. RG - Non-Environmental; grommet not supplied.
RRG - Environmental; supplied with wire sealing grommet.
3. Standard materials configuration consists of aluminum alloy with plating RoHS compliant.
4. Standard contact material consists of copper alloy with silver plating or gold plating.

**ITS 4106 RG and ITS 4106 RRG
Straight Cylindrical Plug Connector
with Rubber-Coated Cable Sealing Backshell**

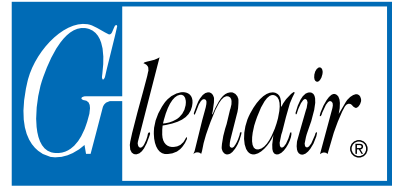


TABLE I: DIMENSIONS

Shell Size	ØB		L Max.	ØQ ±0.5	ØQ1 ±0.5
	Min.	Max.			
14 S	9.52	12.70	95	35.0	42.0
16 S	12.70	15.90	95	38.0	45.0
16	12.70	15.90	105	38.0	45.0
18	12.70	15.90	110	43.5	49.0
20	15.90	19.00	115	46.5	52.0
22	15.90	19.00	115	50.5	56.0
24	19.00	22.20	145	54.0	60.0
28	22.20	25.40	145	61.0	67.0
32	28.50	31.75	150	68.0	76.0
36	31.75	34.90	165	74.0	82.0
40	38.00	41.27	170	80.0	88.0

C

TABLE II: MODIFICATION CODES

CONTACT OPTIONS	
Sym	Description
B0	Connector without Contacts*
B1	Connector with Gold Plated Contacts
Omit for standard version (Silver plated)	

(*) Crimp Contacts Only