

ITS 3108 SP and ITS G 3108 SP
ITS 4108 SP and ITS G 4108 SP
Cylindrical Plug Assembly with 90° Backshell
and EMI/RFI Shield Termination Backshell

Reverse Bayonet Coupling

ITS - Aluminum Shell with Stainless Steel Studs

ITB - Marine Bronze or Stainless Steel Shell without Stainless Steel Studs

For further details, see diagram on page A-38

Connector/Backshell Class
SP - Environmental; Supplied with Grommet and EMI/RFI Backshell

Shell Size and Insert Arrangement (See Section A)

Alternate Insert Rotation (W, X, Y, Z)
Omit for Normal (See Section A)

XX

ITS

G

31

08

SP

20-27

P

Y

XXX

Elastomer Option (See Table III)

Grounding Fingers (Omit for Standard)

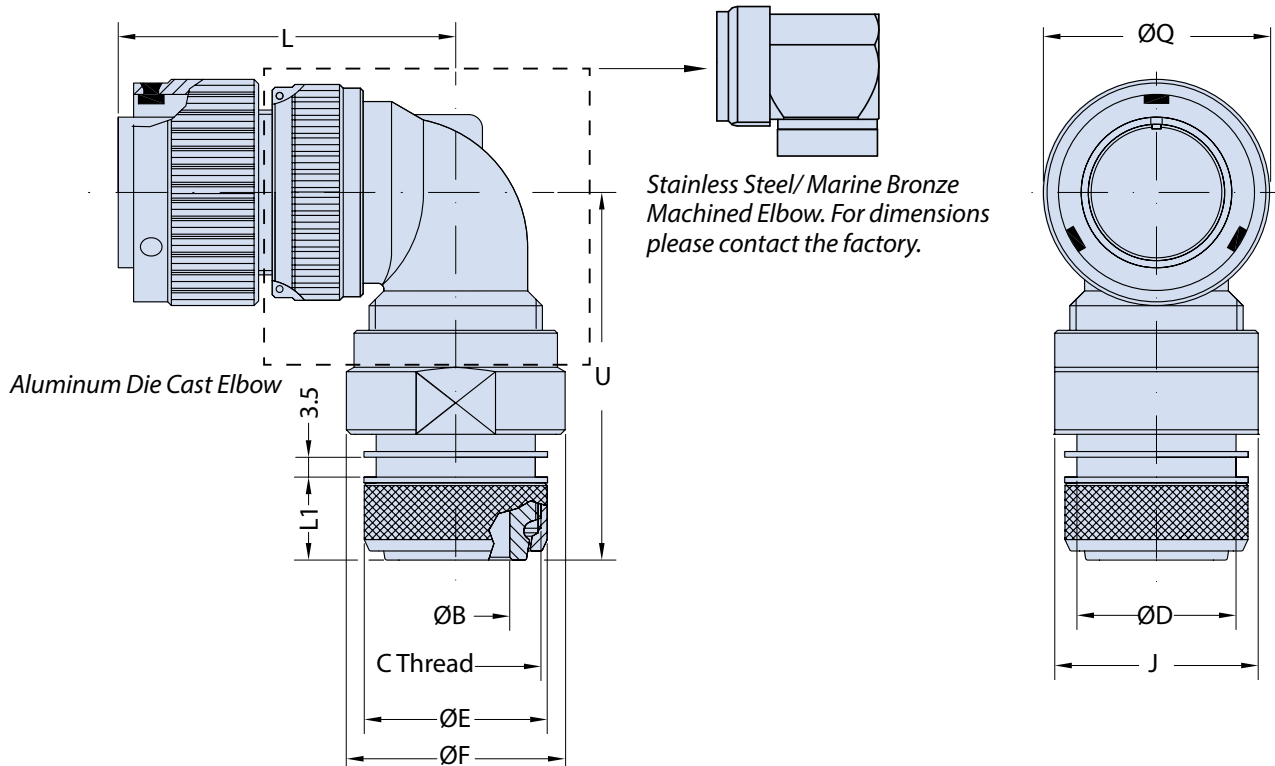
Contact Type
31 - Solder
41 - Crimp

08 - 90° Plug Assembly

Contact Gender
P - Pin
S - Socket

Mod Code Option (See Table II)

B



Application Notes

1. 90° plug assembly with EMI/RFI shield termination backshell and rotating coupling nut. Cable shield is terminated with a "braid-trap" nut. Heat-shrink tubing may also be attached for additional environmental sealing.
2. Connector/Backshell Class "SP" (environmental)—Wire sealing grommet supplied.
3. Standard materials configuration consists of aluminum alloy. For platings, see TABLE II finish options.
4. Standard contact material consists of copper alloy with silver plating or gold plating.

**ITS 3108 SP and ITS G 3108 SP
ITS 4108 SP and ITS G 4108 SP
Cylindrical Plug Assembly with 90° Backshell
and EMI/RFI Shield Termination Backshell**



TABLE I: DIMENSION

Shell Size	ØB min.	C Thread	ØD ±0.1	ØE ±0.2	ØF ±0.2	J Key	L Max.	L1 Max.	ØQ ±0.1	U Max.
10 SL	8.6	M16X1	15.8	18.5	22	20	40	14.0	22.6	55.0
14 S	10.7	M20X1	19.8	22.3	25	23	42	14.0	29.0	57.0
16 S	13.9	M23X1	22.0	25.3	28	26	46	15.6	31.6	60.0
16	13.9	M23X1	22.0	25.3	28	26	55	15.6	31.6	63.0
18	15.0	M26X1	24.5	28.0	30	28	57	14.6	36.2	64.0
20	18.8	M30X1	28.0	32.3	36	34	62	14.6	39.8	66.0
22	22.0	M32X1	30.0	34.3	38	36	62	14.6	43.0	66.0
24	25.0	M36X1	34.0	38.3	43	41	67	14.6	46.4	71.0
28	28.3	M39X1	36.9	41.2	44	42	67	14.6	53.0	80.0
32	34.0	M45X1	43.5	48.3	54	52	72	14.6	60.0	81.0
36	40.5	M52X1	50.0	55.0	61	58	75	15.0	66.2	81.0
40	48.0	M59X1	57.0	62.0	68	65	78	15.5	72.3	86.0

B

TABLE II: MODIFICATION CODES

CONTACT OPTIONS		
Sym	Description	
B0	Connector without Contacts**	
B1	Connector with Gold Plated Contacts	
Omit for standard version (Silver plated)		
STANDARD MATERIAL AND FINISH (*)		
Sym	Description	RoHS
	Omit for Aluminum/ Cadmium Olive Drab	
F7	Aluminum/ Black Zinc Nickel	✓
F11	Aluminum/ Electroless Nickel	✓
MB	Marine Bronze/ Unplated	✓
FK	Stainless Steel/ Passivate	✓

(*) For further options, please contact the factory.

(**) Crimp Contacts Only

TABLE III

ELASTOMER OPTIONS	
Sym	Description
	Omit for Polychloroprene Elastomer
FR	Fire Resistant Elastomer
S	Silicone Elastomer