

ITS 3108 A and ITS 3108 R ITS 4108 A and ITS 4108 R Cylindrical Plug Assembly with 90° Backshell

Reverse Bayonet Coupling
ITS - Aluminum Shell with Stainless Steel Studs
ITB - Marine Bronze or Stainless Steel Shell without Stainless Steel Studs
 For further details, see diagram on page A-38

Connector/Backshell Class
A - Non-Environmental; Supplied with Backshell Only
R - Environmental; Supplied with Backshell and Grommet

Contact Gender
P - Pin
S - Socket

Alternate Insert Rotation (W, X, Y, Z)
 Omit for Normal (See Section A)

XX ITS G 31 08 A 20-27 P Y XXX

Elastomer Option (See Table III)

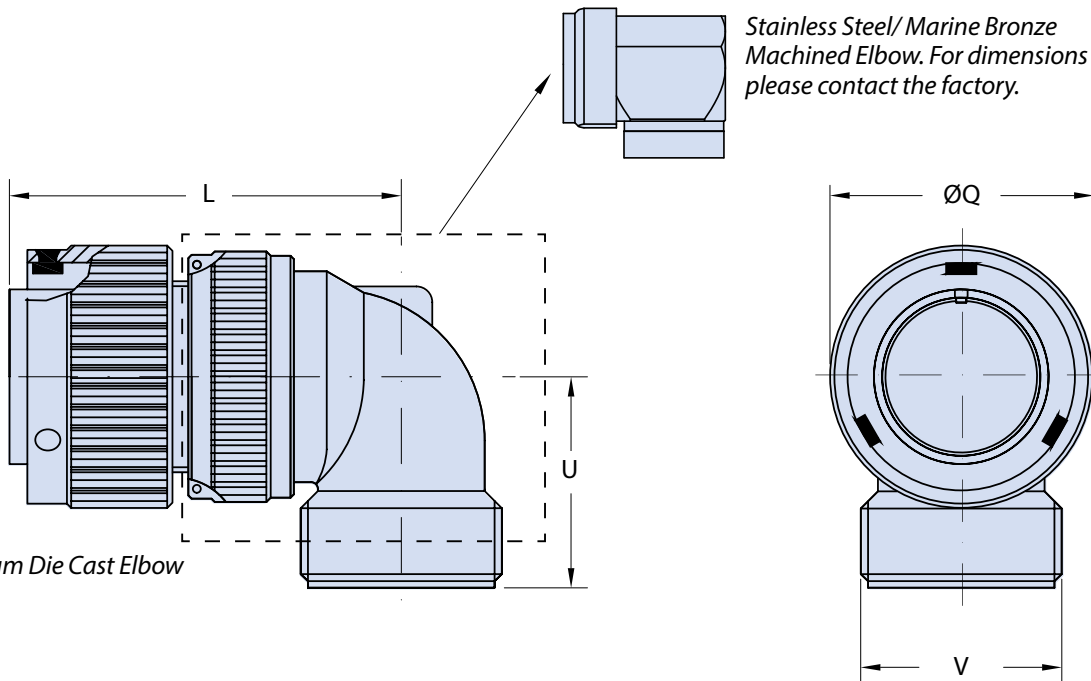
Grounding Fingers (Omit for Standard)

Contact Type
31 - Solder
41 - Crimp

08 - 90° Plug Assembly

Shell Size and Insert Arrangement (See Section A)

Mod Code Option (See Table II)



Application Notes

- 90° plug assembly with backshell for the attachment of strain relief cable clamps.
- Connector/Backshell Class "A" (non-environmental)—Not supplied with wire sealing grommet; Class "R" (environmental)—Supplied with grommet.
- Standard materials configuration consists of aluminum alloy. For platings, see TABLE II finish options.
- Standard contact material consists of copper alloy with silver plating or gold plating.
- A broad range of other front and rear connector accessories are available. See our website and/or contact the factory for complete information.
- Order cable clamps separately.

ITS 3108 A and ITS 3108 R
ITS 4108 A and ITS 4108 R
Cylindrical Plug Assembly with 90° Backshell



TABLE I: DIMENSIONS

Shell Size	V Thread	L Max.	ØQ ±0.2	U ±0.2
10 SL	0.6250 - 24UNEF	40	22.6	25.0
14 S	0.7500 - 20UNEF	42	29.0	26.5
16 S	0.8750 - 20UNEF	46	31.6	27.0
16	0.8750 - 20UNEF	55	31.6	27.0
18	1.0000 - 20UNEF	57	36.2	30.0
20	1.1875 - 18UNEF	62	39.8	32.0
22	1.1875 - 18UNEF	62	43.0	32.0
24	1.4375 - 18UNEF	67	46.4	37.0
28	1.4375 - 18UNEF	67	53.0	38.0
32	1.7500 - 18UNS	72	60.0	45.5
36	2.0000 - 18UNS	75	66.2	47.2
40	2.2500 - 16UN	78	72.3	52.0

B

TABLE II: MODIFICATION CODES

CONTACT OPTIONS		
Sym	Description	
B0	Connector without Contacts**	
B1	Connector with Gold Plated Contacts	
Omit for standard version (Silver plated)		
STANDARD MATERIAL AND FINISH (*)		
Sym	Description	RoHS
	Omit for Aluminum/ Cadmium Olive Drab	
F6	Aluminum/ Black Electrodeposited Paint	✓
F7	Aluminum/ Black Zinc Nickel	✓
F11	Aluminum/ Electroless Nickel	✓
MB	Marine Bronze/ Unplated	✓
FK	Stainless Steel/ Passivate	✓

TABLE III

ELASTOMER OPTIONS	
Sym	Description
	Omit for Polychloroprene Elastomer
FR	Fire Resistant Elastomer
S	Silicone Elastomer

(*) For further options, please contact the factory.

(**) Crimp Contacts Only