

ITS 31078 A and ITS 31078 R
ITS 41078 A and ITS 41078 R
Rear Panel Mount Jam Nut Receptacle
 with 90° Backshell for the Attachment of Additional Accessories

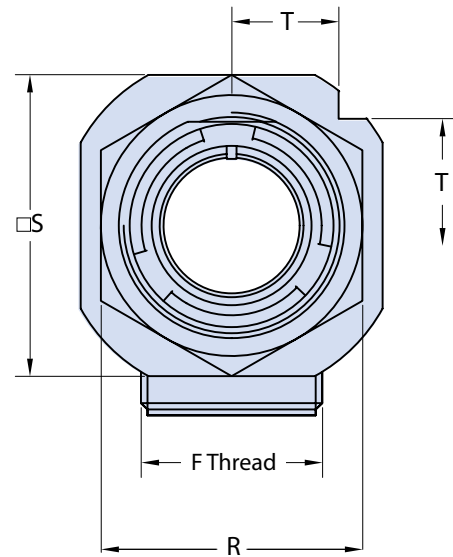
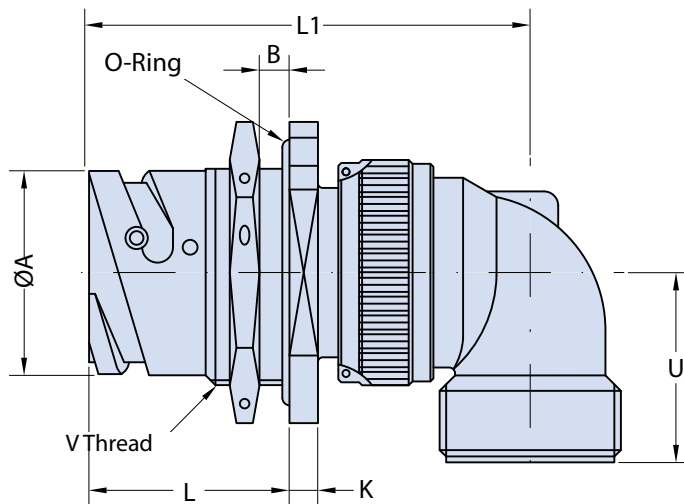
Elastomer Option (See Table III)	Contact Type 31 - Solder 41 - Crimp	078 - Rear Wall Mount Jam Nut Receptacle with 90° Backshell	Shell Size and Insert Arrangement (See Section A)	Contact Gender P - Pin S - Socket	Mod Code Option (See Table II)
-------------------------------------	---	--	---	---	-----------------------------------

XX**ITS****31****078****A****20-27****P****Y****XXX**

Reverse Bayonet Coupling
ITS - Aluminum Shell with Stainless Steel Studs
ITB - Marine Bronze or Stainless Steel Shell
 without Stainless Steel Studs
 For further details, see diagram on page A-38

Connector/Backshell Class
A - Non-Environmental with 90° Backshell
R - Environmental with 90° Backshell
 and Wire Sealing Grommet

Alternate Insert Rotation
 (W, X, Y, Z)
 Omit for Normal
 (See Section A)



Application Notes

1. Rear panel mount jam nut receptacle with 90° backshell.
2. Connector/Backshell Class "A" (non-environmental)—Not supplied with wire sealing grommet; Class "R" (environmental)—Supplied with 90° grommet.
3. Standard materials configuration consists of aluminum alloy. For platings, see TABLE II finish options.
4. Standard contact material consists of copper alloy with silver plating or gold plating.
5. A broad range of additional connector accessories are available. Contact the factory for complete information.
6. Order cable clamps separately.

**ITS 31078 A and ITS 31078 R
ITS 41078 A and ITS 41078 R**
Rear Panel Mount Jam Nut Receptacle
with 90° Backshell for the Attachment of Additional Accessories

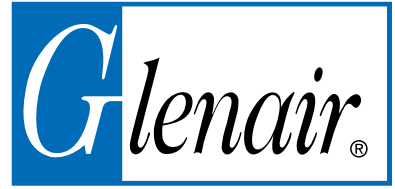


TABLE I: DIMENSIONS

Shell Size	ØA +0.2 -0.1	B		F Thread	K ±0.2	L ±0.1	L1 Max.	R Key	S ±0.2	T	U ±0.2	V Thread
		Min.	Max.									
10 SL	18.2	2.4	5.2	0.6250 - 24UNEF	4.0	24.5	55	27	31.8	11.2	25.0	0.8750 - 20UNEF
14 S	24.5	2.4	7.5	0.7500 - 20UNEF	4.8	26.8	60	33	41.3	14.6	26.5	1.1250 - 18UNEF
16 S	27.2	2.4	7.5	0.8750 - 20UNEF	4.8	26.8	60	38	44.4	15.7	27.0	1.2500 - 18UNEF
16	27.2	2.4	7.5	0.8750 - 20UNEF	4.8	32.2	73	38	44.4	15.7	27.0	1.2500 - 18UNEF
18	30.7	2.4	9.0	1.0000 - 20UNEF	4.8	33.7	74	40	47.6	16.8	30.0	1.3750 - 18UNEF
20	34.0	2.4	9.0	1.1875 - 18UNEF	4.8	33.7	80	44	50.8	18.0	32.0	1.5000 - 18UNEF
22	37.3	2.4	9.1	1.1875 - 18UNEF	4.8	33.7	80	46	54.2	20.2	32.0	1.6250 - 18UNEF
24	40.9	2.4	9.1	1.4375 - 18UNEF	4.8	33.7	84	51	57.2	20.2	37.0	1.7500 - 18UNS
28	46.7	2.4	8.5	1.4375 - 18UNEF	5.6	35.2	85	55	63.5	22.5	38.0	2.0000 - 18UNS
32	53.4	2.4	6.5	1.7500 - 18UNS	5.6	35.2	89	62	69.8	24.7	45.5	2.2500 - 16UN
36	59.6	2.4	8.3	2.0000 - 18UNS	5.6	35.2	93	71	76.2	26.9	47.2	2.5000 - 16UN
40	65.5	2.4	8.3	2.2500 - 16UN	5.6	35.2	95	75	83.5	29.6	52.0	2.7500 - 16UN

B

TABLE II: MODIFICATION CODES

CONTACT OPTIONS		
Sym	Description	
B0	Connector without Contacts**	
B1	Connector with Gold Plated Contacts	
Omit for standard version (Silver plated)		
STANDARD MATERIAL AND FINISH (*)		
Sym	Description	RoHS
	Omit for Aluminum/ Cadmium Olive Drab	
F6	Aluminum/ Black Electrodeposited Paint	✓
F7	Aluminum/ Black Zinc Nickel	✓
F11	Aluminum/ Electroless Nickel	✓
MB	Marine Bronze/ Unplated	✓
FK	Stainless Steel/ Passivate	✓

TABLE III

ELASTOMER OPTIONS	
Sym	Description
	Omit for Polychloroprene Elastomer
FR	Fire Resistant Elastomer
S	Silicone Elastomer

(*) For further options, please contact the factory.

(**) Crimp Contacts Only