

ITS 31070 A and ITS 31070 AR
ITS 41070 A and ITS 41070 AR
Rear Panel Mount Jam Nut Receptacle
with Connector Accessory Mounting Threads

Reverse Bayonet Coupling
ITS - Aluminum Shell with Stainless Steel Studs
ITB - Marine Bronze or Stainless Steel Shell
without Stainless Steel Studs
For further details, see diagram on page A-38

Connector/Backshell Class
A - Non-Environmental; Supplied
with Backshell Only
AR - Environmental; Supplied
with Backshell and Grommet

Contact Gender
P - Pin
S - Socket

Mod Code
Option
(See Table II)

XX

ITS

31

070

A

20-27

P

Y

XXX

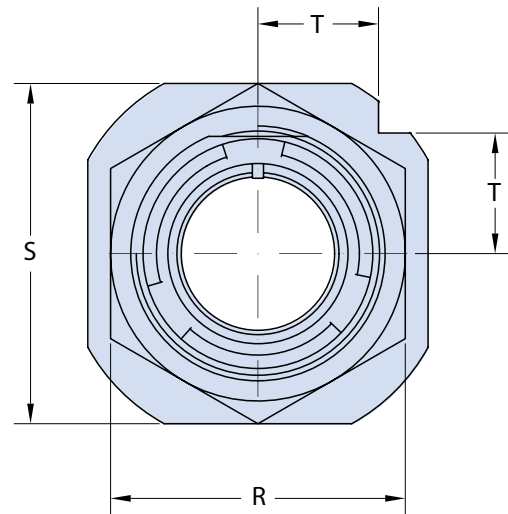
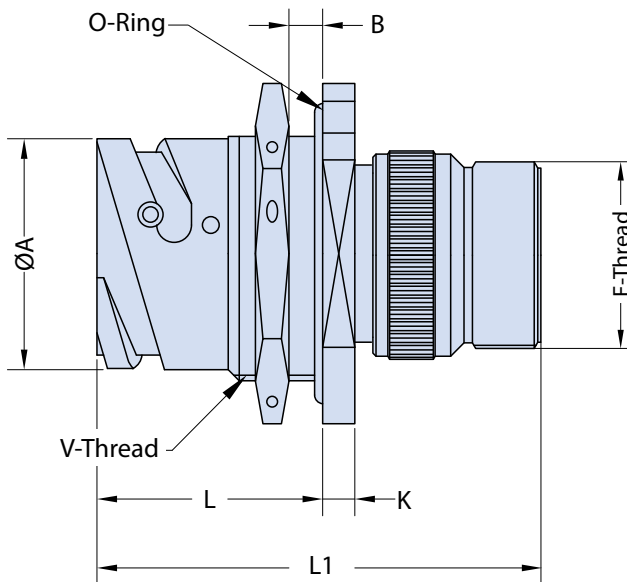
Elastomer
Option
(See Table III)

Contact Type
31 - Solder
41 - Crimp

070 - Rear Wall Mount
Jam Nut Receptacle
with Accessory Threads

Shell Size and Insert
Arrangement
(See Section A)

Alternate Insert Rotation
(W, X, Y, Z)
Omit for Normal
(See Section A)



Application Notes

1. Rear panel mount jam nut receptacle with rear threads for attachment of various backend connector accessories. No backshell provided.
2. Connector Class "A" (non-environmental)—Not supplied with wire sealing grommet; Class "AR"—Supplied with wire sealing grommet.
3. Standard materials configuration consists of aluminum alloy. For platings, see TABLE II finish options.
4. Standard contact material consists of copper alloy with silver plating or gold plating.
5. A broad range of other front and rear connector accessories are available. See our website and/or contact the factory for complete information.

**ITS 31070 A and ITS 31070 AR
ITS 41070 A and ITS 41070 AR
Rear Panel Mount Jam Nut Receptacle
with Connector Accessory Mounting Threads**



TABLE I: DIMENSIONS

Shell Size	ØA +0.2 -0.1	B		F Thread	K ±0.2	L ±0.1	L1 Max.	R Key	S ±0.2	T	V Thread
		min.	Max.								
10 SL	18.2	2.4	5.2	0.6250 - 24UNEF	4.0	24.5	55.5	27	31.8	11.2	0.8750 - 20UNEF
14 S	24.5	2.4	7.5	0.7500 - 20UNEF	4.8	26.8	60.5	33	41.3	14.6	1.1250 - 18UNEF
16 S	27.2	2.4	7.5	0.8750 - 20UNEF	4.8	26.8	60.5	38	44.4	15.7	1.2500 - 18UNEF
16	27.2	2.4	7.5	0.8750 - 20UNEF	4.8	32.2	72.0	38	44.4	15.7	1.2500 - 18UNEF
18	30.7	2.4	9.0	1.0000 - 20UNEF	4.8	33.7	73.0	40	47.6	16.8	1.3750 - 18UNEF
20	34.0	2.4	9.0	1.1875 - 18UNEF	4.8	33.7	73.5	44	50.8	18.0	1.5000 - 18UNEF
22	37.3	2.4	9.1	1.1875 - 18UNEF	4.8	33.7	73.5	46	54.2	20.2	1.6250 - 18UNEF
24	40.9	2.4	9.1	1.4375 - 18UNEF	4.8	33.7	74.0	51	57.2	20.2	1.7500 - 18UNS
28	46.7	2.4	8.5	1.4375 - 18UNEF	5.6	35.2	82.5	55	63.5	22.5	2.0000 - 18UNS
32	53.4	2.4	6.5	1.7500 - 18UNS	5.6	35.2	86.0	62	69.8	24.7	2.2500 - 16UN
36	59.6	2.4	8.3	2.0000 - 18UNS	5.6	35.2	91.5	71	76.2	26.9	2.5000 - 16UN
40	65.5	2.4	8.3	2.2500 - 16UN	5.6	35.2	91.5	75	83.5	29.6	2.7500 - 16UN

B

TABLE II: MODIFICATION CODES

CONTACT OPTIONS		
Sym	Description	
B0	Connector without Contacts**	
B1	Connector with Gold Plated Contacts	
Omit for standard version (Silver plated)		
STANDARD MATERIAL AND FINISH (*)		
Sym	Description	RoHS
	Omit for Aluminum/ Cadmium Olive Drab	
F6	Aluminum/ Black Electrodeposited Paint	✓
F7	Aluminum/ Black Zinc Nickel	✓
F11	Aluminum/ Electroless Nickel	✓
MB	Marine Bronze/ Unplated	✓
FK	Stainless Steel/ Passivate	✓

TABLE III

ELASTOMER OPTIONS	
Sym	Description
	Omit for Polychloroprene Elastomer
FR	Fire Resistant Elastomer
S	Silicone Elastomer

(*) For further options, please contact the factory.

(**) Crimp Contacts Only