

ITS 3106 SP and ITS G 3106 SP  
ITS 4106 SP and ITS G 4106 SP  
Straight Cylindrical Plug Assembly  
with Environmental Backshell for EMI/RFI Shield Termination

Elastomer Option  
(See Table III)

Grounding Fingers  
(Omit for Standard)

06 - Straight Plug  
Assembly

Shell Size and Insert  
Arrangement  
(See Section A)

Contact Gender  
P - Pin  
S - Socket

Mod Code  
Option  
(See Table II)

XX

ITS

G

31

06

SP

20-27

P

Y

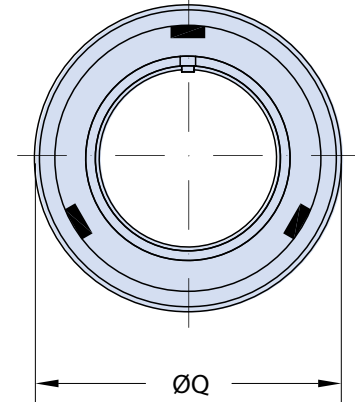
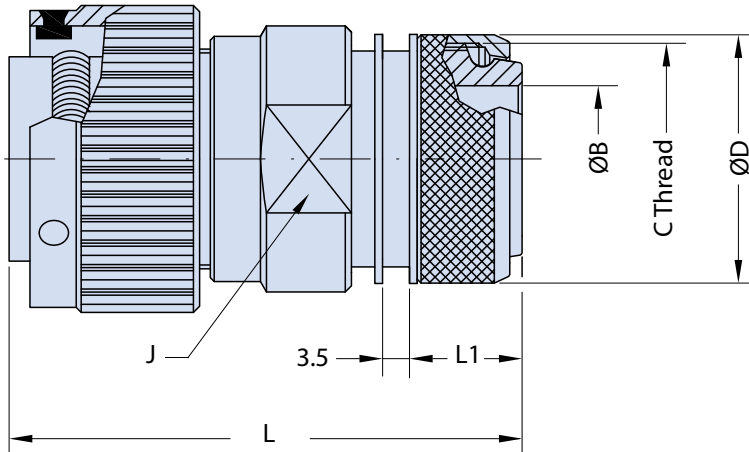
XXX

Reverse Bayonet Coupling  
*ITS* - Aluminum Shell with  
Stainless Steel Studs  
*ITB* - Marine Bronze or  
Stainless Steel Shell without  
Stainless Steel Studs  
For further details, see diagram  
on page A-38

Contact Type  
31 - Solder  
41 - Crimp

Connector/Backshell Class  
*SP* - Environmental; Supplied with  
Grommet and EMI/RFI Backshell

Alternate Insert Rotation  
(W, X, Y, Z)  
Omit for Normal  
(See Section A)



### Application Notes

1. Straight plug assembly with EMI/RFI shield termination backshell. Backshell features rotating coupling nut and a "braid-trap" for termination of cable shielding. Heat-shrink tubing may also be attached for additional environmental and mechanical protection.
2. Connector/Backshell Class "SP" (environmental)—Wire sealing grommet supplied.
3. Standard materials configuration consists of aluminum alloy. For platings, see TABLE II finish options.
4. Standard contact material consists of copper alloy with silver plating or gold plating.

ITS 3106 SP and ITS G 3106 SP  
ITS 4106 SP and ITS G 4106 SP  
**Straight Cylindrical Plug Assembly**  
with Environmental Backshell for EMI/RFI Shield Termination



**TABLE I: DIMENSIONS**

Shell Size	ØB Min.	C Thread	ØD ±0.2	J key	L Max.	L1 Max.	ØQ ±0.2
<b>10 SL</b>	8.6	M16x1	18.5	20	56.0	14.0	22.6
<b>14 S</b>	10.7	M20x1	22.3	23	56.0	14.0	29.0
<b>16 S</b>	13.9	M23x1	25.3	26	58.0	15.6	31.6
<b>16</b>	13.9	M23x1	25.3	26	67.5	15.6	31.6
<b>18</b>	15.0	M26x1	28.0	28	68.5	14.6	36.2
<b>20</b>	18.8	M30x1	32.3	32	68.5	14.6	39.8
<b>22</b>	22.0	M32x1	34.3	36	68.5	14.6	43.0
<b>24</b>	25.0	M36x1	38.3	39	70.0	14.6	46.4
<b>28</b>	28.4	M39x1	41.2	46	70.0	14.6	53.0
<b>32</b>	34.0	M45x1	48.3	52	71.5	14.6	60.0
<b>36</b>	40.5	M52x1	55.0	58	72.0	15.0	66.2
<b>40</b>	49.0	M59x1	62.0	65	72.0	15.5	72.3

**TABLE II: MODIFICATION CODES**

CONTACT OPTIONS		
Sym	Description	
B0	Connector without Contacts**	
B1	Connector with Gold Plated Contacts	
<b>Omit for standard version (Silver plated)</b>		
STANDARD MATERIAL AND FINISH (*)		
Sym	Description	RoHS
	Omit for Aluminum/ Cadmium Olive Drab	
F7	Aluminum/ Black Zinc Nickel	✓
F11	Aluminum/ Electroless Nickel	✓
MB	Marine Bronze/ Unplated	✓
FK	Stainless Steel/ Passivate	✓

(\*) For further options, please contact the factory.

(\*\*) Crimp Contacts Only

**TABLE III**

ELASTOMER OPTIONS	
Sym	Description
	Omit for Polychloroprene Elastomer
FR	Fire Resistant Elastomer
S	Silicone Elastomer