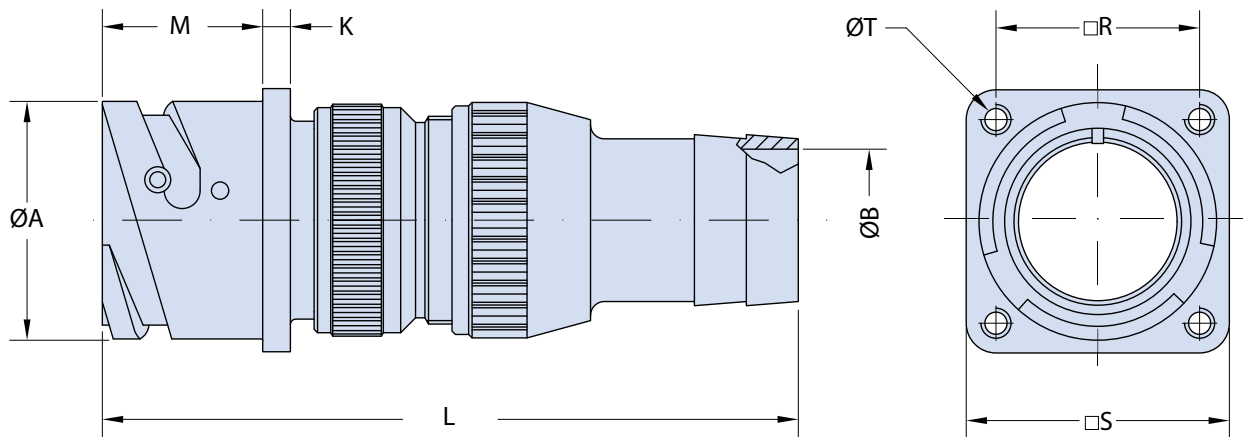
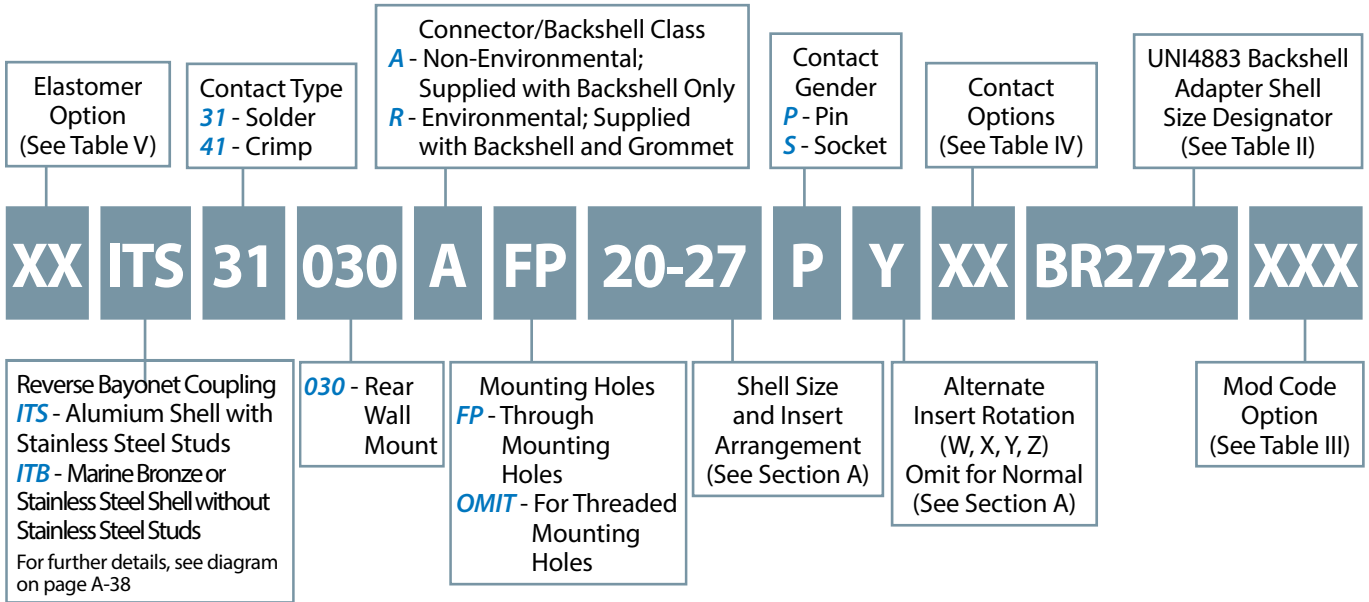


ITS 31030 A BR and ITS 31030 R BR
ITS 41030 A BR and ITS 41030 R BR
Rear Panel Mount Square Flange Receptacle Assembly
with Backshell for Termination of UNI4883 Rubber Conduit



Application Notes

1. Rear panel mount square flange receptacle with backshell for termination of UNI4883 type rubber conduit. Threaded mounting holes. Optional non-threaded through mounting holes available.
2. Connector/Backshell Class "A" (non-environmental)—Not supplied with wire sealing grommet; Class "R" (environmental)—Supplied with grommet.
3. Standard materials configuration consists of aluminum alloy. For platings, see TABLE III finish options.
4. Standard contact material consists of copper alloy with silver plating or gold plating.

**ITS 31030 A BR and ITS 31030 R BR
ITS 41030 A BR and ITS 41030 R BR
Rear Panel Mount Square Flange Receptacle Assembly
with Backshell for Termination of UNI4883 Rubber Conduit**



TABLE I: DIMENSIONS

Shell Size	ØA +0.2 -0.1	ØB ±0.1	K ±0.2	L Max.	M +0.2 -0	R ±0.2	S ±0.2	T Thread
10 SL	18.2	See Table III Below	2.8	95.0	18.4	18.25	25.4	M4
14 S	24.5		3.2	96.5	18.4	23.00	30.4	M4
16 S	27.2		3.2	96.5	18.4	24.60	32.5	M4
16	27.2		3.2	108.0	23.2	24.60	32.5	M4
18	30.7		4.0	108.0	23.2	27.00	35.0	M4
20	34.0		4.0	108.0	23.2	29.40	38.0	M4
22	37.3		4.0	108.0	23.2	31.75	41.0	M4
24	40.9		4.0	109.5	23.2	34.90	44.5	M4
28	46.7		4.0	116.0	24.2	39.70	50.9	M5
32	53.4		4.0	121.5	24.2	44.50	57.0	M5
36	59.6		4.0	127.0	24.2	49.20	63.5	M5
40	65.5		4.0	127.0	24.2	55.55	69.9	M5

TABLE II: BACKSHELL DIMENSIONS

Shell Size	Rubber tube in accordance with UNI 4883 to be used by size		ØB ±0.1
	Ø Min	Ø Max	
10 SL	12.0	17.0	10.5
14 S	22.0	27.0	16.5
16-16S	12.0	17.0	10.5
16-16S	15.0	20.0	14.0
18	22.0	27.0	20.5
20 - 22	12.0	17.0	10.5
20 - 22	20.0	25.0	18.5
20 - 22	22.0	27.0	20.5
20 - 22	28.0	33.0	25.0
20 - 22	30.0	35.0	28.5
20 - 22	33.0	38.0	31.5
24 - 28	20.0	25.0	18.5
24 - 28	22.0	27.0	20.5
24 - 28	25.0	30.0	23.5
24 - 28	28.0	33.0	26.5
24 - 28	30.0	35.0	28.5
24 - 28	33.0	38.0	31.5
24 - 28	45.0	50.0	43.5
32	25.0	30.0	23.5
32	28.0	33.0	26.5
32	30.0	35.0	28.5
32	35.0	40.0	31.5
32	40.0	45.0	38.5
32	45.0	50.0	40.0
36	30.0	35.0	28.5
36	35.0	40.0	31.5
36	45.0	50.0	43.5
40	30.0	35.0	28.5
40	35.0	40.0	31.5
40	40.0	45.0	38.5
40	45.0	50.0	43.5
40	50.0	55.0	48.5

TABLE III: MODIFICATION CODES

CONTACT OPTIONS	
Sym	Description
B0	Connector without Contacts**
B1	Connector with Gold Plated Contacts
Omit for standard version (Silver plated)	

TABLE IV: MODIFICATION CODES

STANDARD MATERIAL AND FINISH (*)		
Sym	Description	RoHS
	Omit for Aluminum/ Cadmium Olive Drab	
F6	Aluminum/ Black Electrodeposited Paint	✓
F7	Aluminum/ Black Zinc Nickel	✓
F11	Aluminum/ Electroless Nickel	✓
MB	Marine Bronze/ Unplated	✓
FK	Stainless Steel/ Passivate	✓

TABLE V

ELASTOMER OPTIONS	
Sym	Description
	Omit for Polychloroprene Elastomer
FR	Fire Resistant Elastomer
S	Silicone Elastomer

(*) For further options, please contact the factory.

(**) Crimp Contacts Only