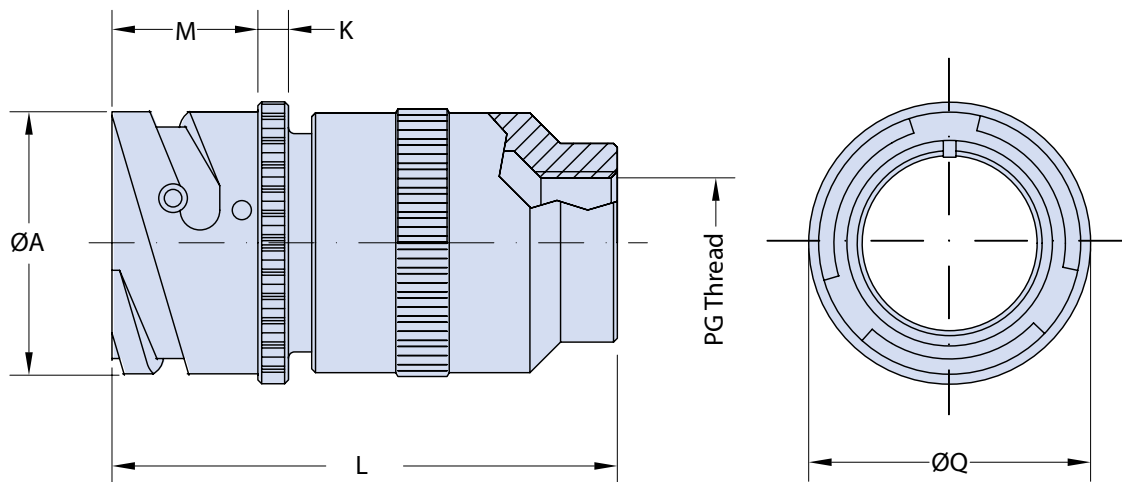
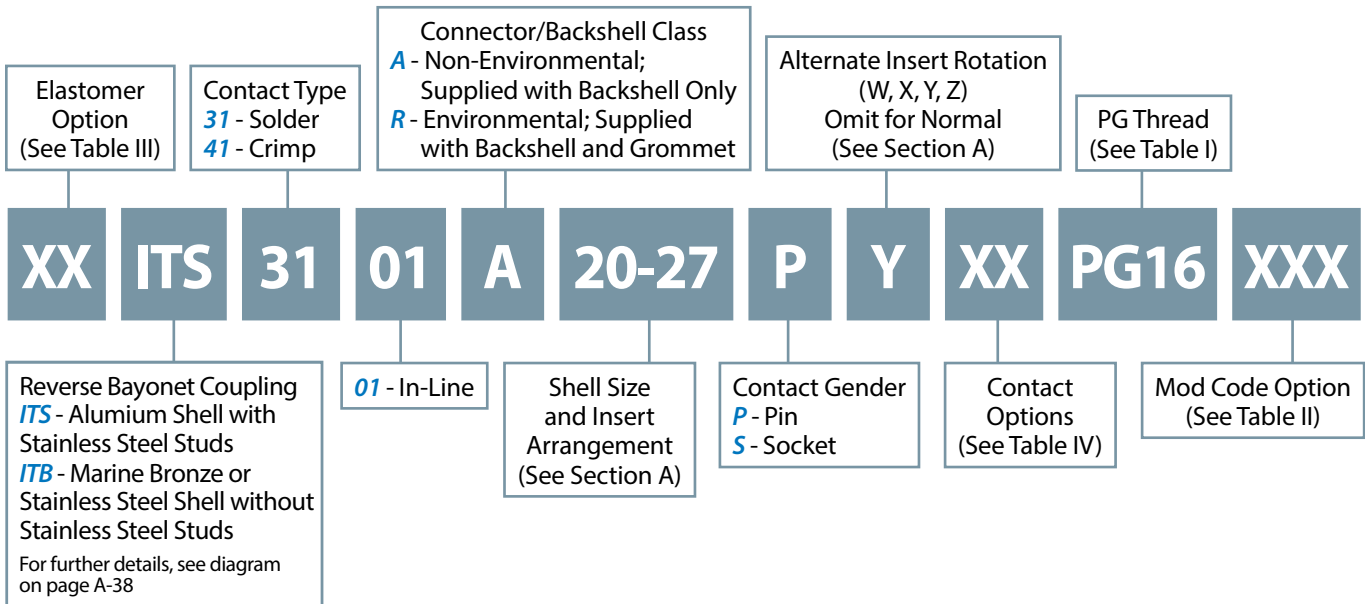


ITS 3101 A PG and ITS 3101 R PG
ITS 4101 A PG and ITS 4101 R PG
In-Line Cylindrical Receptacle with Backshell
for Use with PG Cable Glands



Application Notes

1. In-line receptacle with backshell adapter threaded for use with PG cable glands (not included). Other types of PG adaptors can be supplied in various sizes and angles upon request.
2. Connector/Backshell Class "A" (non-environmental)—Not supplied with wire sealing grommet; Class "R" (environmental)—Supplied with grommet.
3. Standard materials configuration consists of aluminum alloy. For platings, see TABLE II finish options.
4. Standard contact material consists of copper alloy with silver plating or gold plating.
5. Other types of front and rear connector accessories are available.
See our website and/or contact the factory for complete information.

ITS 3101 A PG and ITS 3101 R PG
ITS 4101 A PG and ITS 4101 R PG
In-Line Cylindrical Receptacle with Backshell
for Use with PG Cable Glands



TABLE I: DIMENSIONS

Shell Size	ØA +0.2 -0.1	K ±0.2	L Max.	M +0.4 -0	PG Thread Other PG Threads available on request	ØQ ±0.1
10 SL	18.2	2.8	52.0	14.2	7 / 9 / 11	21.8
14 S	24.5	3.2	54.5	14.2	9 / 11 / 13.5	28.8
16 S	27.2	3.2	54.5	14.2	11 / 13.5 / 16	30.5
16	27.2	3.2	70.0	19.0	11 / 13.5 / 16	30.5
18	30.7	4.0	70.0	19.0	13.5 / 16 / 21	33.8
20	34.0	4.0	71.5	19.0	13.5 / 16 / 21	36.9
22	37.3	4.0	71.5	19.0	13.5 / 16 / 21	39.5
24	40.9	4.0	76.5	20.6	16 / 21 / 29	43.9
28	46.7	4.0	76.5	20.6	16 / 21 / 29	48.4
32	53.4	4.0	84.0	22.2	16 / 21 / 29	56.0
36	59.6	4.0	89.0	22.2	21 / 29 / 36	62.4
40	65.5	4.0	94.0	22.2	21 / 29 / 36	68.6

B

TABLE II: MODIFICATION CODES

STANDARD MATERIAL AND FINISH (*)		
Sym	Description	RoHS
	Omit for Aluminum/ Cadmium Olive Drab	
F6	Aluminum/ Black Electrodeposited Paint	✓
F7	Aluminum/ Black Zinc Nickel	✓
F11	Aluminum/ Electroless Nickel	✓
MB	Marine Bronze/ Unplated	✓
FK	Stainless Steel/ Passivate	✓

TABLE III

ELASTOMER OPTIONS	
Sym	Description
	Omit for Polychloroprene Elastomer
FR	Fire Resistant Elastomer
S	Silicone Elastomer

TABLE IV: MODIFICATION CODES

CONTACT OPTIONS	
Sym	Description
B0	Connector without Contacts**
B1	Connector with Gold Plated Contacts
Omit for standard version (Silver plated)	

(*) For further options, please contact the factory.

(**) Crimp Contacts Only