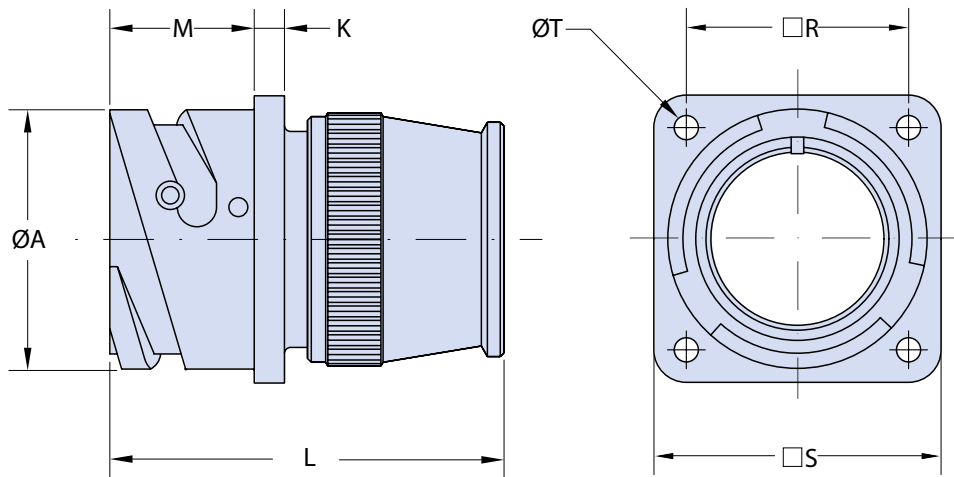
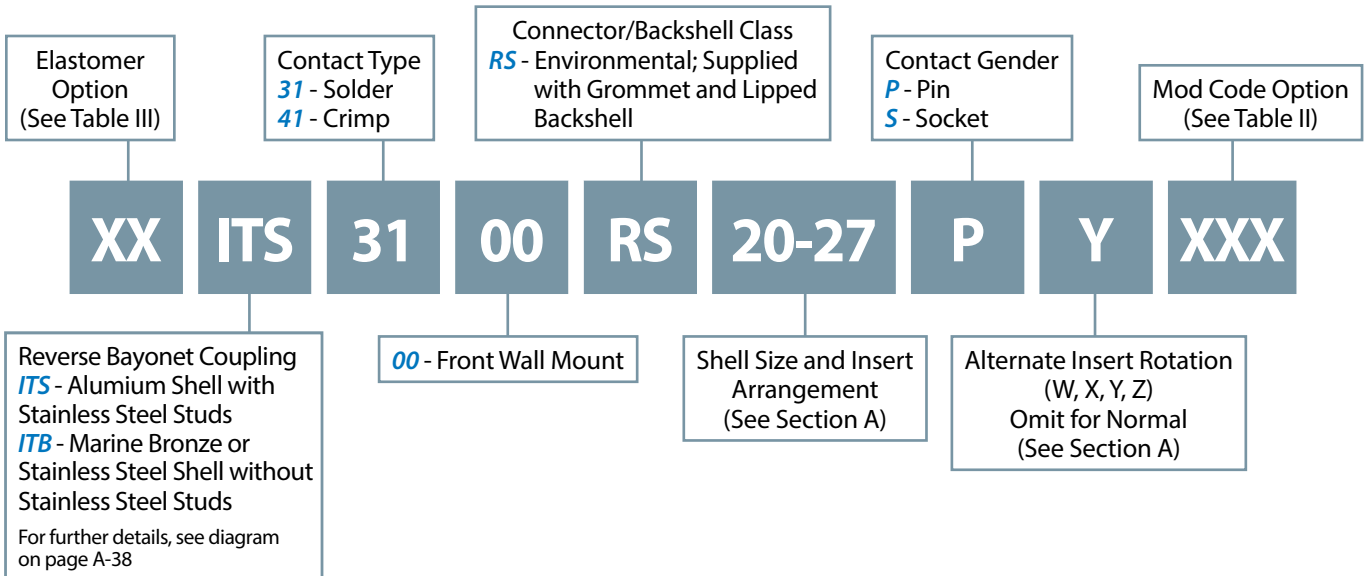


ITS 3100 RS and ITS 4100 RS Front Panel Mount Square Flange Receptacle with Lipped Backshell



Application Notes

1. Front mount square flange receptacle with a wire sealing grommet and backshell for use with individual wire assemblies. Through mounting holes.
2. Connector/Backshell Class "RS" (environmental)—Wire sealing grommet supplied.
3. Standard materials configuration consists of aluminum alloy. For platings, see TABLE II finish options.
4. Standard contact material consists of copper alloy with silver plating or gold plating.

ITS 3100 RS and ITS 4100 RS
Front Panel Mount Square Flange Receptacle
with Lipped Backshell



TABLE I: DIMENSIONS

Shell Size	ØA +0.2 -0.1	K ±0.2	L Max.	M +0.4 -0	R ±0.2	S ±0.2	ØT +0.1 -0
10 SL	18.2	2.8	44.0	14.2	18.25	25.4	3.2
14 S	24.5	3.2	48.5	14.2	23.00	30.4	3.2
16 S	27.2	3.2	48.5	14.2	24.60	32.5	3.2
16	27.2	3.2	56.5	19.0	24.60	32.5	3.2
18	30.7	4.0	57.0	19.0	27.00	35.0	3.2
20	34.0	4.0	57.0	19.0	29.40	38.0	3.2
22	37.3	4.0	58.0	19.0	31.75	41.0	3.2
24	40.9	4.0	58.5	20.6	34.90	44.5	3.7
28	46.7	4.0	58.5	20.6	39.70	50.9	3.7
32	53.4	4.0	60.5	22.2	44.50	57.0	4.3
36	59.6	4.0	60.5	22.2	49.20	63.5	4.3
40	65.5	4.0	60.5	22.2	55.55	69.9	4.3

B

TABLE II: MODIFICATION CODES

CONTACT OPTIONS		
Sym	Description	
B0	Connector without Contacts**	
B1	Connector with Gold Plated Contacts	
Omit for standard version (Silver plated)		
STANDARD MATERIAL AND FINISH (*)		
Sym	Description	RoHS
	Omit for Aluminum/ Cadmium Olive Drab	
F6	Aluminum/ Black Electrodeposited Paint	✓
F7	Aluminum/ Black Zinc Nickel	✓
F11	Aluminum/ Electroless Nickel	✓
MB	Marine Bronze/ Unplated	✓
FK	Stainless Steel/ Passivate	✓

TABLE III

ELASTOMER OPTIONS	
Sym	Description
	Omit for Polychloroprene Elastomer
FR	Fire Resistant Elastomer
S	Silicone Elastomer

(*) For further options, please contact the factory.

(**) Crimp Contacts Only