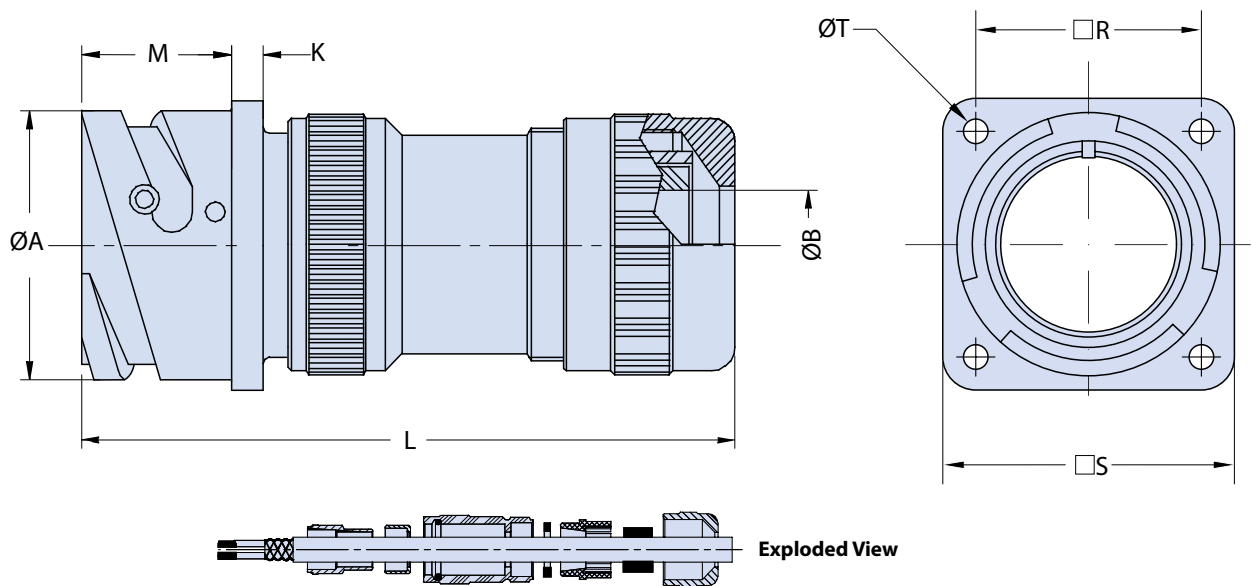
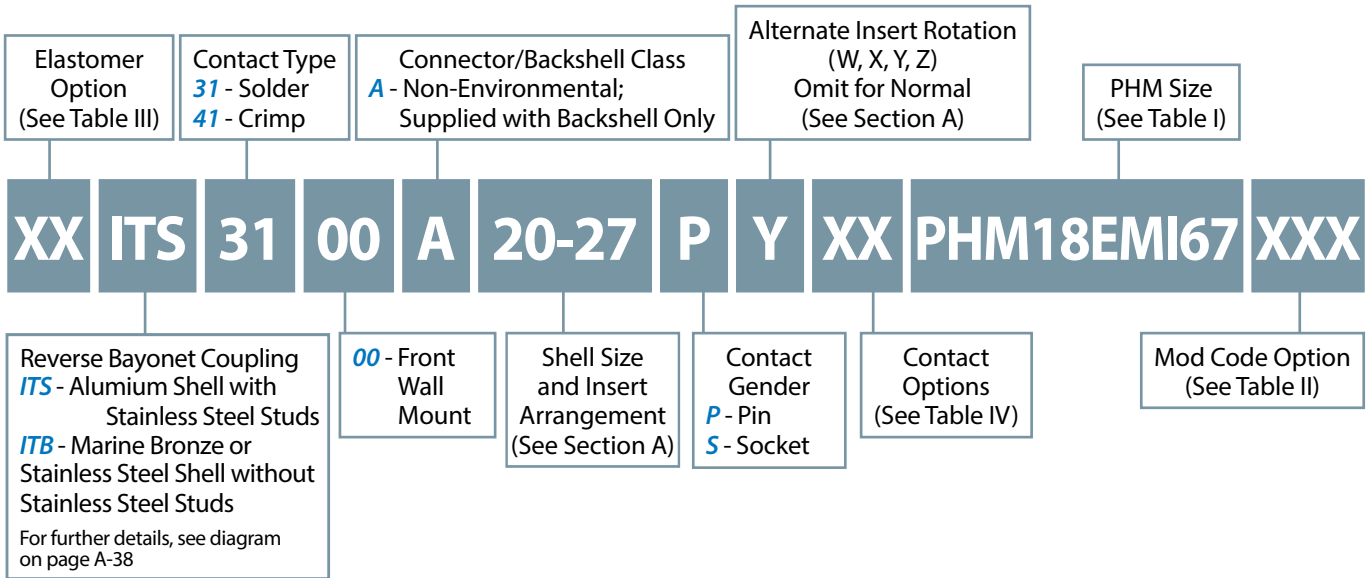


ITS 3100 A PHM-EMI67 and ITS 4100 A PHM-EMI67 Front Panel Mount Square Flange Receptacle Assembly with EMI/RFI PHM Backshell



Application Notes

1. Front panel mount square flange receptacle assembly with an EMI/RFI PHM backshell. Through mounting holes.
2. Connector/Backshell Class "A" (non-environmental)—Wire sealing grommet not required.
3. Standard materials configuration consists of aluminum alloy. For platings, see TABLE II finish options.
4. Standard contact material consists of copper alloy with silver plating or gold plating.

ITS 3100 A PHM-EMI67 and ITS 4100 A PHM-EMI67
Front Panel Mount Square Flange Receptacle Assembly
with EMI/RFI PHM Backshell

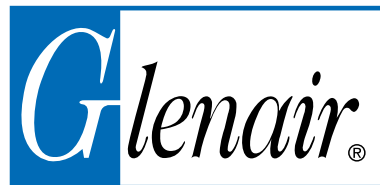


TABLE I: DIMENSIONS

Shell Size	PHM Size	ØA +0.2 -0.1	ØB Min. - Max.	K ±0.2	L Max.	M +0.4 -0	R ±0.2	S ±0.2	ØT +0.1 -0
10 SL	9	18.2	2 - 9	2.8	74.0	14.2	18.25	25.4	3.2
14 S	11	24.5	2 - 11	3.2	88.5	14.2	23.00	30.4	3.2
16 S	11	27.2	2 - 11	3.2	88.5	14.2	24.60	32.5	3.2
16	11	27.2	2 - 11	3.2	98.0	19.0	24.60	32.5	3.2
18	11/18	30.7	2 - 11/2 - 16.5	4.0	100.5	19.0	27.00	35.0	3.2
20	11/18	34.0	2 - 11/2 - 16.5	4.0	101.0	19.0	29.40	38.0	3.2
22	18	37.3	2 - 16.5	4.0	101.5	19.0	31.75	41.0	3.2
24	18/22	40.9	2 - 16.5/15 - 20	4.0	104.5	20.6	34.90	44.5	3.7
28	22	46.7	15 - 20	4.0	109.5	20.6	39.70	50.9	3.7
32	24	53.4	19 - 24	4.0	112.0	22.2	44.50	57.0	4.3
36	35	59.6	23 - 35	4.0	118.0	22.2	49.20	63.5	4.3
40	35	65.5	23 - 35	4.0	118.0	22.2	55.55	69.9	4.3

B

TABLE II: MODIFICATION CODES

STANDARD MATERIAL AND FINISH (*)		
Sym	Description	RoHS
	Omit for Aluminum/ Cadmium Olive Drab	
F7	Aluminum/ Black Zinc Nickel	✓
F11	Aluminum/ Electroless Nickel	✓
MB	Marine Bronze/ Unplated	✓
FK	Stainless Steel/ Passivate	✓

TABLE III

ELASTOMER OPTIONS	
Sym	Description
	Omit for Polychloroprene Elastomer
FR	Fire Resistant Elastomer
S	Silicone Elastomer

TABLE IV: MODIFICATION CODES

CONTACT OPTIONS	
Sym	Description
B0	Connector without Contacts**
B1	Connector with Gold Plated Contacts
Omit for standard version (Silver plated)	

(*) For further options, please contact the factory.

(**) Crimp Contacts Only