

Straight Crimp Ring Backshell and Crimp Ring

AS85049/26-1 and MS3419

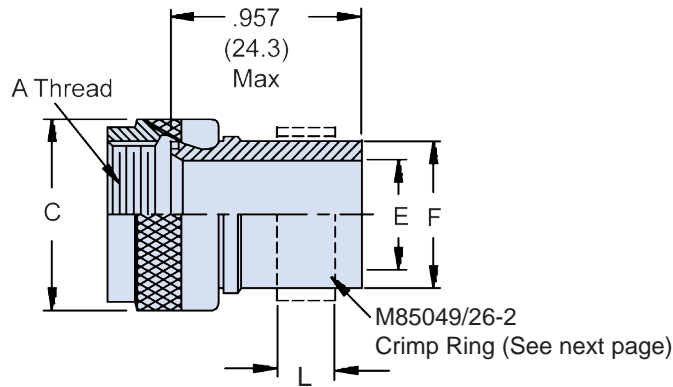
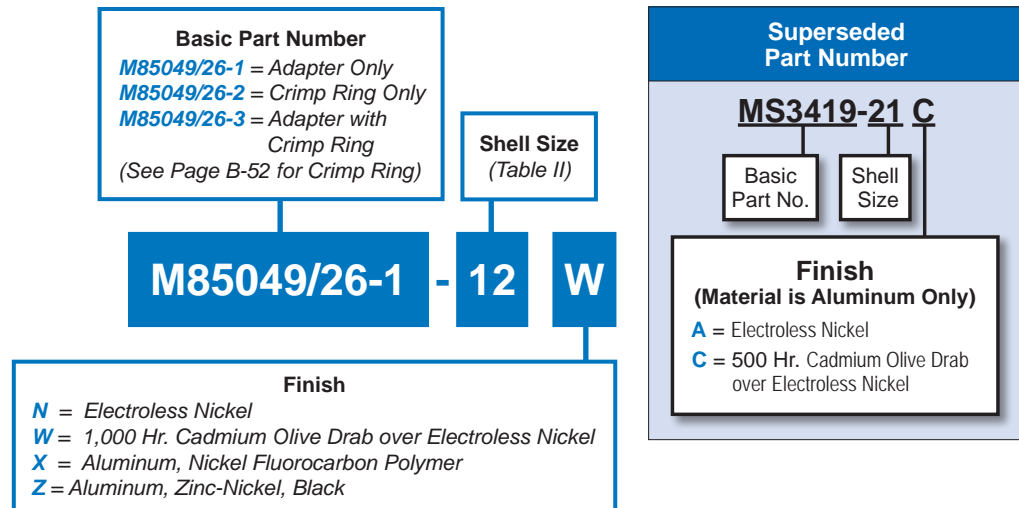


TABLE I: Adapter Shell Size, Thread, and Dimensions					
Dash No.	Shell Size	A Thread Class 2B	C Dia Max	E Dia	F Dia
3	3	.562 - 24 UNEF	.670 (17.0)	.250 (6.4)	.337 (8.6)
12	7	.750 - 20 UNEF	.860 (21.8)	.420 (10.7)	.500 (12.7)
14	12	.875 - 20 UNEF	.980 (24.9)	.540 (13.7)	.620 (15.7)
16	19	1.000 - 20 UNEF	1.110 (28.2)	.670 (17.0)	.750 (19.1)
18	27	1.062 - 18 UNEF	1.220 (31.0)	.789 (20.0)	.880 (22.4)
20	37	1.188 - 18 UNEF	1.350 (34.3)	.914 (23.2)	1.000 (25.4)
61	61	1.500 - 18 UNEF	1.650 (41.9)	1.210 (30.7)	1.359 (34.5)

NOTES

- For complete dimensions see the applicable Military Specification.
- Metric dimensions (mm) are in parentheses.