

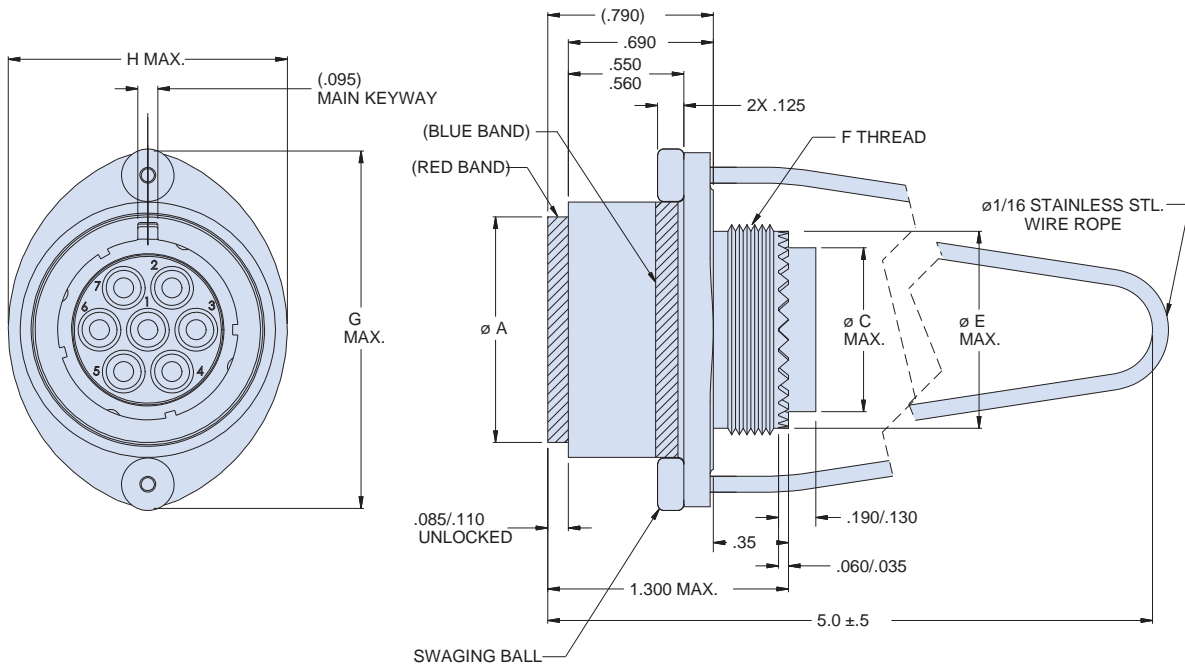
AS81703 SERIES 3 TYPE CONNECTORS

Lanyard-release plug

253-020-08



How To Order	
Sample Part Number	253-020 - 08 ME 19-7 P N
Basic Part Number	AS81703 Series 3 type connector
Rear Option	- = Accessory threads B = Band porch (consult factory)
Connector Style	08 = Lanyard release plug MS3468 type (no SAE equivalent)
Material / Finish	C = Al Alloy/Black Anodize ME = Al Alloy/Electroless Nickel MT = Al Alloy/Nickel-PTFE NF = Al Alloy/Cad O.D. Over Electroless Nickel ZR = Al Alloy/Zinc-Nickel Black
Shell Size / Insert Arrangement	See Table II pg. 2, diagrams on pgs. 4-5
Contact Styles	P = Pin insert S = Socket insert A = Pin insert less contacts B = Socket insert less contacts
Insert Clocking Positions	N, W, X, Y, B, C (See Table III pg. 2)
Lanyard Ring Mod. Code	Omit = Standard Lanyard Ring 812 = Lanyard Ring Rotated 90° from Master Keyway



-08 Lanyard-Release Plug Dimensions											
Shell Size	Ø A		Ø C Max.		Ø E Max.		F Thd.	G Max.		H Max.	
	In.	mm	In.	mm	In.	mm		In.	mm	In.	mm
3	.657 .648	16.7 16.5	.351	8.9	.509	12.9	¼-24 UNEF-2A	1.261	32.0	.925	23.5
7	.793 .782	20.1 19.9	.531	13.5	.687	17.4	¾-20 UNEF-2A	1.411	35.8	1.062	27.0
12	.942 .932	23.9 23.7	.665	16.9	.812	20.6	⅞-20 UNEF-2A	1.531	38.9	1.172	29.8
19	1.073 1.063	27.3 27.0	.790	20.1	.937	23.8	1-20 UNEF-2A	1.681	42.7	1.328	33.7
27	1.226 1.216	31.1 30.9	.869	22.1	.992	25.2	1 ⅛-18 UNEF-2A	1.826	46.4	1.475	37.5
37	1.348 1.338	34.2 34.0	.994	25.2	1.117	28.4	1 ¾-18 UNEF-2A	1.915	48.6	1.610	40.9
61	1.614 1.604	41.0 40.7	1.280	32.5	1.427	36.2	1 ½-18 UNEF-2A	2.235	56.8	1.890	48.0