

# RF, Microwave, and mmWave Interconnects

## SERIES 795 High-Density

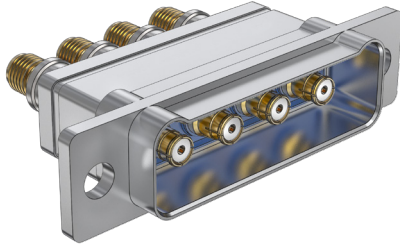
### Multi-Port RF Rectangular Connectors



## 795-002P

### Cable Receptacle, Pin Contacts

- Size #8 Contacts
- 18 GHz BMB Coax
- All-Aluminum Body
- Environmental
- Two to Nine Ports
- Scoop-Proof



Shown with 50 ohm G-Link<sup>RF</sup> coax contacts (sold separately)

#### CONSTRUCTION

- Shell: aluminum
- Grommet, interfacial seal: fluorosilicone
- Jackscrew, jackpost: SST, passivated
- Retainer clips: copper alloy, unplated

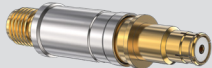
#### SPECIFICATIONS

- Operating temperature: -55 °C to +125 °C
- Shock: EIA-364-27 Condition D
- Vibration: EIA-364-28 Condition V Letter E
- Shell-to-shell resistance: 2.5 milliohms max. with ground spring option

#### COAX CONTACTS

Not included with 795-002 connector. Sold separately.

#### G-Link<sup>RF</sup>



- Part Number **852-157**
- Integral release sleeve
- Attach SMA plug directly to contact

#### for Flexible Coax Cable



- Part Number **852-071**
- 18 GHz, solder termination
- Accepts 402-flex and 405 flex cable

#### REMOVAL TOOL

**859-022**  
(M81969/14-06)

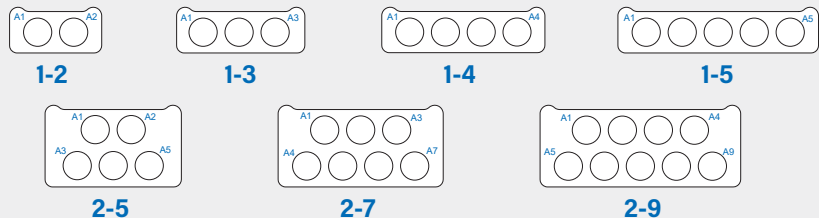


**Two to nine ports. Size 8 contacts.** 795-002 receptacles have one piece 6061-T6 machined aluminum housings. Fluorosilicone face seal and rear grommet provide environmental protection. Size 8 pin contact cavities have beryllium copper retention clips. Use with BMB coax contacts (P/N 852-071, sold separately) or G-Link<sup>RF</sup> BMB/SMA coax contacts (852-157, sold separately).

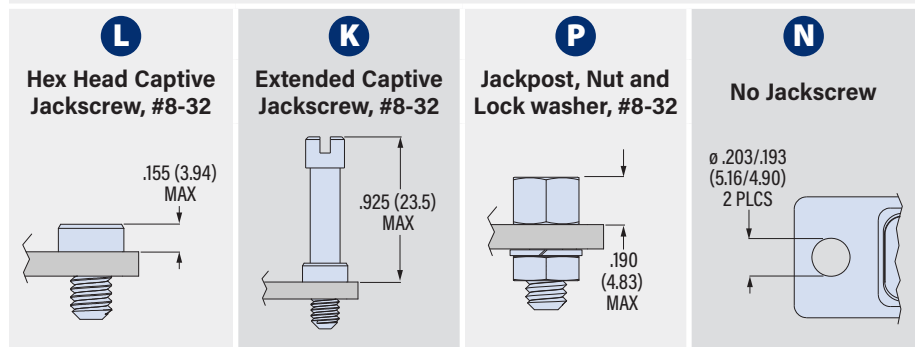
#### PART NUMBER

	<b>795-002P</b>	<b>1-4</b>	<b>M</b>	<b>E</b>	<b>L</b>
<b>Base P/N</b>	<b>795-002P</b>				
<b>Arrangement No.</b>	<i>See Table 1</i> <b>1-2</b> 2 contacts <b>1-3</b> 3 contacts <b>1-4</b> 4 contacts <b>1-5</b> 5 contacts <b>2-5</b> 5 contacts, two row <b>2-7</b> 7 contacts, two row <b>2-9</b> 9 contacts, two row				
<b>Material/ Finish</b>	<b>M</b> Alum/ Electroless Nickel <b>MT</b> Alum/ Nickel-PTFE				
<b>EMI Spring</b>	<b>E</b> EMI Spring <b>N</b> No Spring				
<b>Hardware Option</b>	<i>See Table 2</i> <b>L</b> Jackscrews, Hex Head #8-32, non-removable <b>K</b> Extended Jackscrews Slot Head #8-32, non-removable <b>N</b> No Hardware .198 (5.0) diameter thru-holes <b>P</b> Jackposts #8-32, with nut and lock washer				

**TABLE 1 ARRANGEMENT NUMBER**



**TABLE 2 HARDWARE OPTION**

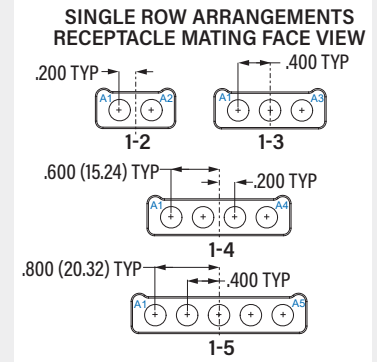
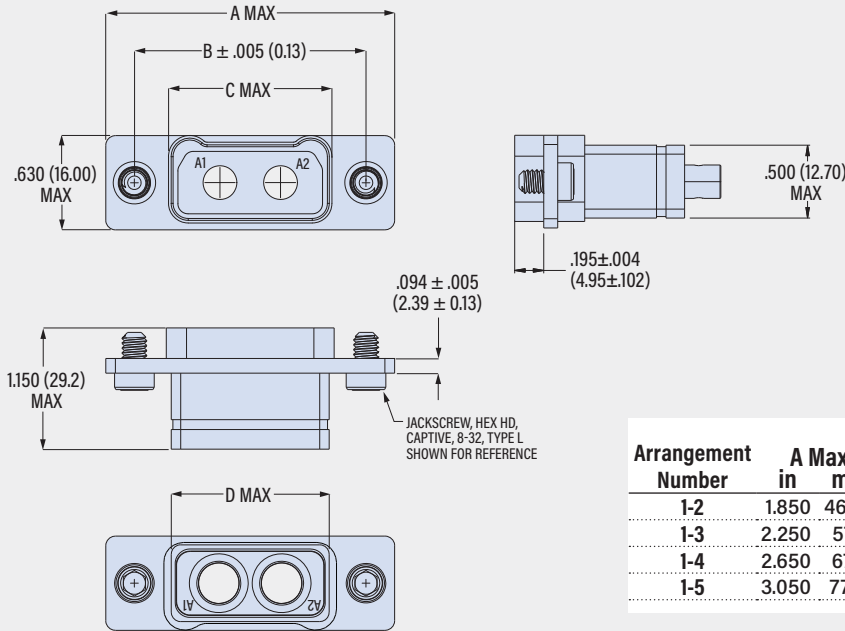


SERIES 795 MULTI-PIN RF CONNECTORS

**795-002P**  
 Cable Receptacle, Pin Contacts

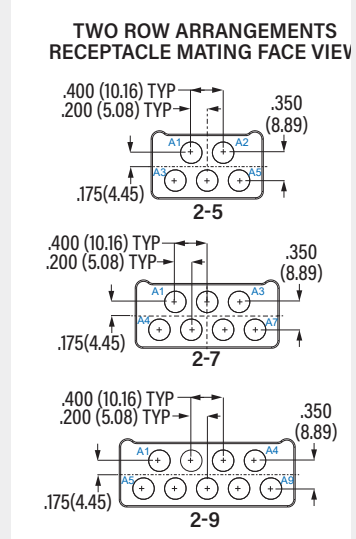
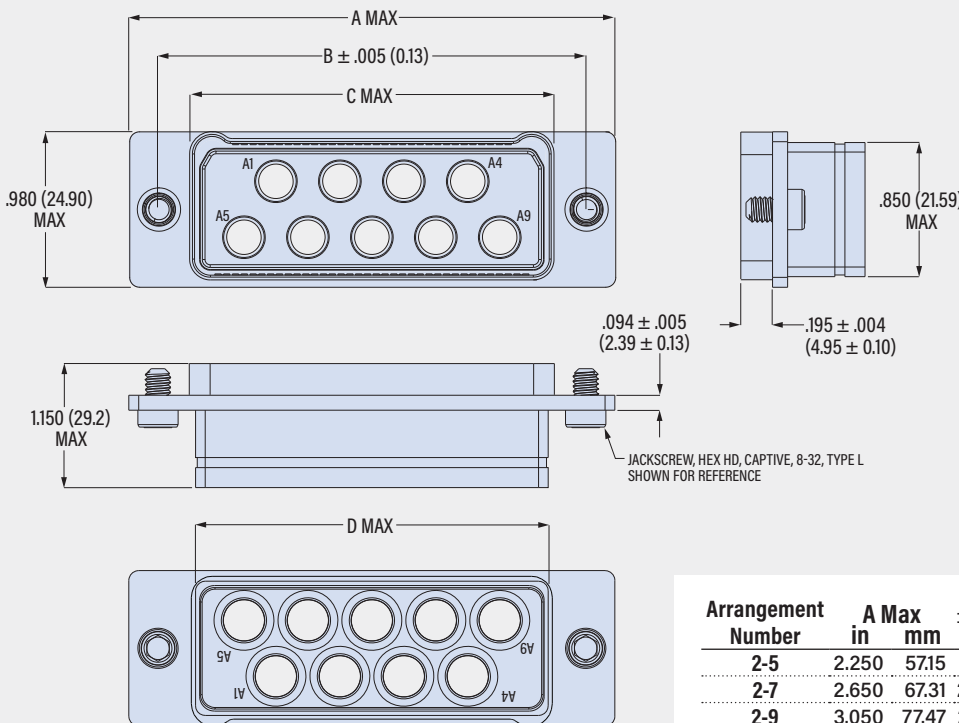
- Size #8 Contacts
  - All-Aluminum Body
  - Two to Nine Ports
- 18 GHz BMB Coax
  - Environmental
  - Scoop-Proof

**795-002P SINGLE ROW**



Arrangement Number	A Max		B ±.005 (0.13)		C Max.		D Max.	
	in	mm	in	mm	in	mm	in	mm
1-2	1.850	46.99	1.475	37.47	1.090	27.69	1.015	25.78
1-3	2.250	57.15	1.875	47.63	1.490	37.85	1.415	35.94
1-4	2.650	67.31	2.275	57.79	1.890	48.01	1.815	46.10
1-5	3.050	77.47	2.675	67.95	2.290	58.17	2.215	56.26

**795-002P TWO ROW**



Arrangement Number	A Max		B ±.005 (0.13)		C Max.		D Max.	
	in	mm	in	mm	in	mm	in	mm
2-5	2.250	57.15	1.875	47.63	1.490	37.85	1.415	35.94
2-7	2.650	67.31	2.275	57.79	1.890	48.01	1.815	46.10
2-9	3.050	77.47	2.675	67.95	2.290	58.17	2.215	56.26

SERIES 795 MULTI-PIN RF CONNECTORS