

SERIES 151 MIL-DTL-55116 TYPE Audio Connector Feed-Thru Adapter, 55116 to D38999

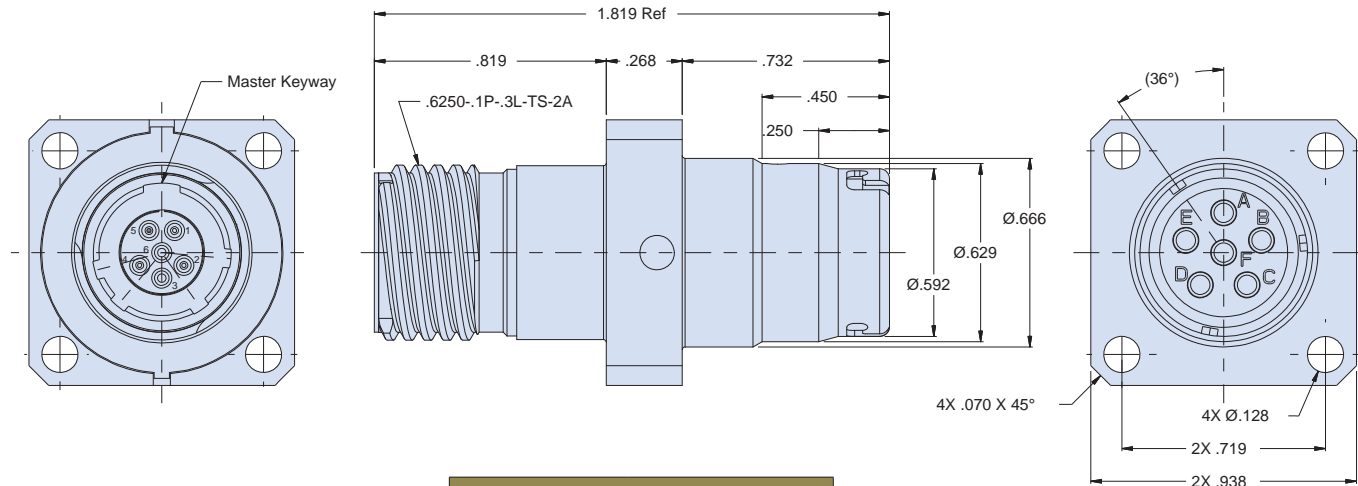


157-005



157-005 is a wall/panel-mount, square-flange feed-thru adapter. MIL-DTL-55116 type receptacle on one side, MIL-DTL-38999 Series III threaded plug on the other, shell size 09, insert arrangement 09-35. Stainless steel passivated shells, gold-plated copper alloy contacts.

How To Order	
Sample Part Number	157-005
Product Series	MIL-DTL-55116 to D38999 Series III Adapter



Contact Assignments	
MIL-DTL-55116	MIL-DTL-38999
A	1
B	2
C	3
D	4
E	5
F	6