

SPRING ACTION

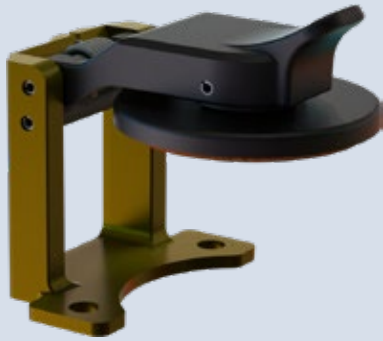
ProSeal™ environmental connector covers

for Series 806 Mil-Aero connectors

Pressure seal, dust and immersion resistant



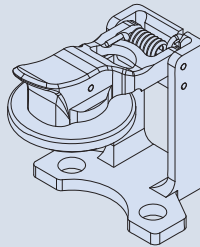
667-511 PROSEAL PROTECTIVE COVER FOR SERIES 806 MIL-AERO CONNECTORS



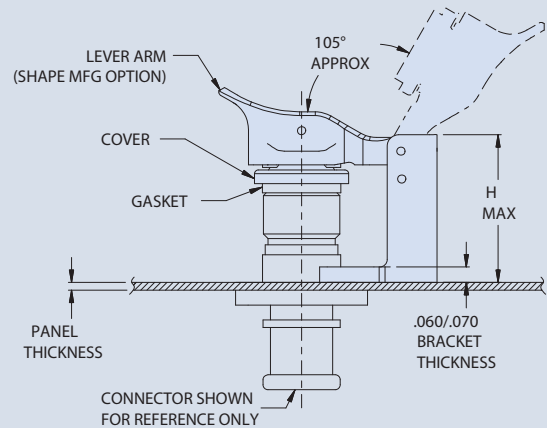
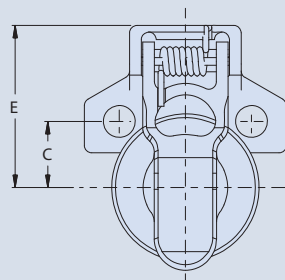
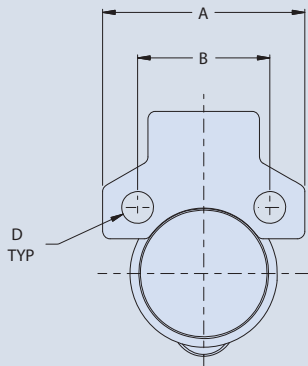
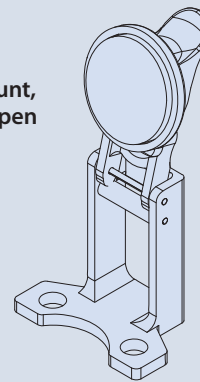
How to Order 667-511					
Sample Part Number	667-511	NF	8	T1	W
Series	ProSeal protective cover for Series 806 Mil-Aero connectors				
Material / Finish	See Table II				
Shell Size	See Table I				
Panel Thickness	See Table III				
Type of Mounting	W = Wall Mount Receptacle				

- Pressure seal, dust and immersion resistant
- Self-aligning
- Positive spring-action in closed position. Locks open at approximately 105° from receptacle face.

Wall mount, shown closed



Wall mount, shown open



MATERIAL / FINISH

Cover, Lever Arm, Gimbal-Thermoplastic / Black
 Bracket - see Table II
 Spring / Pin / Rivet - 300 Series SST / Passivate
 Sleeve - Delrin
 Gasket - Silicone



806 Mil-Aero

Table I: Dimensions										
Shell Size	Wall Mount									
	A Dim		B Dim		C Dim		D ±.002 (.05)		E ±.031 (.79)	
	in	mm	in	mm	in	mm	in	mm	in	mm
8	.842	21.39	.531	13.49	.266	6.76	.128	3.25	.651	16.54
9	.905	22.99	.594	15.09	.297	7.54	.128	3.25	.724	18.39
10	.933	23.70	.625	15.88	.313	7.95	.128	3.25	.758	19.25
11	.980	24.89	.670	17.02	.335	8.51	.128	3.25	.781	19.84
12	1.058	26.87	.765	19.43	.383	9.73	.128	3.25	.850	21.59
14	1.156	29.36	.859	21.82	.430	10.92	.128	3.25	.935	23.75
16	1.250	31.75	.938	23.83	.469	11.91	.128	3.25	1.003	25.48
18	1.341	34.06	1.016	25.81	.508	12.90	.128	3.25	1.082	27.48
20	1.467	37.26	1.109	28.17	.555	14.10	.154	3.91	1.118	28.40
22	1.593	40.46	1.203	30.56	.602	15.29	.154	3.91	1.334	33.88
24	1.719	43.66	1.312	33.32	.656	16.66	.154	3.91	1.398	35.51

Table II: Material and Finish		
Sym	Material	Finish
MT	Aluminum	Nickel-PTFE
ZR		Zinc-Nickel, Black (Tri-Valent CR)
M		Electroless Nickel
NF		Cad Plate / Olive Drab over Electroless Nickel
C		Anodize / Black
UC		Zinc Cobalt / Black

Table III: Panel Thickness					
Dash No.	Panel Thickness* ±.030 (.76)		Shell Size	H Max	
	in	mm		Wall Mount	
				in	mm
T0	.000	.00	8 – 12	.940	23.88
			14 – 24	.875	22.23
T1	.062	1.57	8 – 12	.878	22.30
			14 – 24	.813	20.64

*Cover fits nominally onto panel with .062" (1.57mm) thickness, but will also work for panels as thin as .031" (.79mm)