

SPRING ACTION

ProSeal™ environmental connector covers

for M81790/1 aircraft external power connectors
Pressure seal, dust and spray resistant

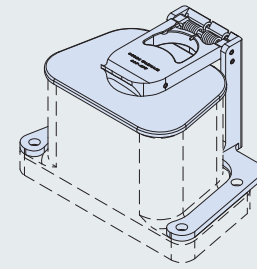
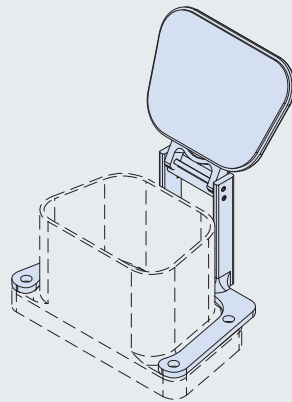


667-477 PROSEAL PROTECTIVE COVER FOR M81790/1 AIRCRAFT EXTERNAL POWER CONNECTORS

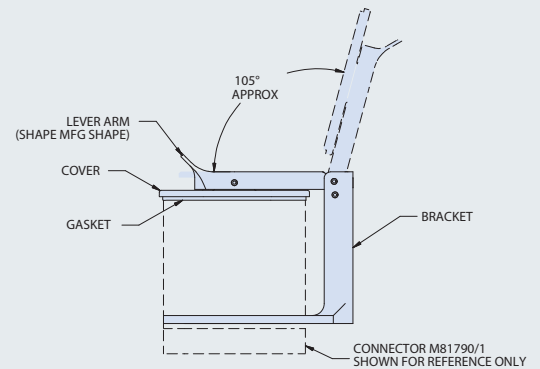
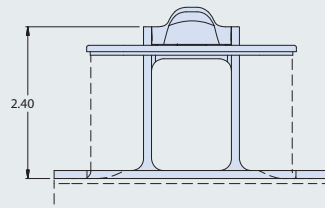
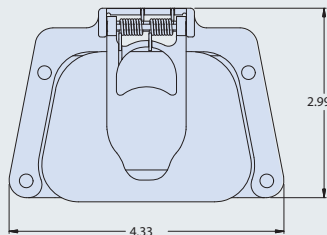


- Pressure seal, dust and spray resistant
- Self-aligning
- Spring-action cover stays open at approximately 105° from receptacle face.

How to Order 667-477				
Sample Part Number	667-477	C	-TOW	-59
Series	ProSeal protective cover for M81790/1 connectors			
Material / Finish	See Table I			
Panel Thickness (Mounting Style)	-TOW			
Gasket Material	-59 = EMI Silicone Gasket (CONSIL II) Omit for Silicone Gasket			



Shown open and closed



Sym	Material	Finish
MT	Aluminum	Nickel-PTFE
ZR		Zinc-Nickel, Black (Tri-Valent CR)
M		Electroless Nickel
NF		Cad Plate / Olive Drab over Electroless Nickel
C		Anodize / Black
UC		Zinc Cobalt / Black

MATERIAL / FINISH

Cover / Bracket / Lever Arm - Aluminum Alloy 6061-T6 / see Table I for finish
Springs / Pins - Stainless Steel / Passivate
Sleeves - Delrin
Gasket - Silicone