

The widest range of
mission-critical interconnect
technologies in the world

LEONARDO'S
PROSEAL
spring-action protective covers



Glencair[®]

Leonardo's ProSeal™ Spring-Action
Protective Covers

Leonardo's ProSeal™

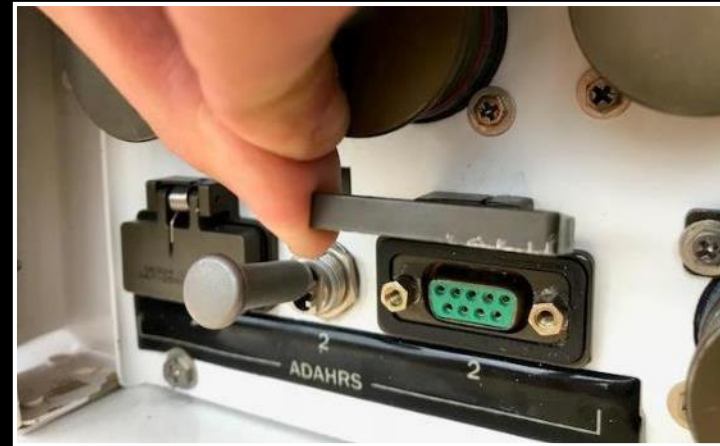
Spring-Action Protective Covers

- On Glenair.com in the “Connector Backshells and Accessories” section
- Mil-Standard and Glenair Signature connector series
- Consult factory for specials



ProSeal™ Spring-Action Protective Covers

IP67 and IP68 environmental protective connector covers for frequent mate / demate applications in military defense / aerospace



ProSeal™ Spring-Action Protective Covers

Innovative features and benefits

- Anti-vibration and shock spring-action performance
- Dust- and spray-tight (IP67) and full environmental (IP68) designs with self-aligning environmental seals
- Lock-open function for convenient mate / demate
- High-profile thumb tab



ProSeal™ Spring-Action Protective Covers

Standard Materials

- Fluorosilicone gasket
- Composite lid
- Aluminum mounting bracket
- Stainless steel spring



ProSeal™ Spring-Action Protective Covers

Broad compatibility with MS standard connectors

MILITARY CONNECTOR STANDARD TO PRO-SEAL PART NUMBER X-REF			
MILITARY CONNECTOR OR CONNECTOR SERIES	CONNECTOR PART NO.	DESCRIPTION	PROSEAL PART NUMBER
MIL-DTL 5015 MIL-DTL-83723 SERIES II	MS3100	Wall Mount Receptacle	667-450 667-451
	MS3102	Box Mount Receptacle	
	MS3103	Wall Mount Receptacle	
	MS3400	Wall Mount Receptacle	
	MS3402	Box Mount Receptacle	
	MS3404	Jam Nut Receptacle	
	MS3412	Box Mount Receptacle, Threaded Skirt	
	MS3450	Wall Mount Receptacle	
	MS3451	In-Line Receptacle	
	MS3452	Box Mount Receptacle	
	MS3454	Jam Nut Receptacle	
	/19	Wall Mount Receptacle	
	/20	Wall Mount Receptacle	
	/21	Box Mount Receptacle	
/22	Box Mount Receptacle		
MIL-DTL-5015 VG 95234	N/A	Reverse Bayonet	667-488
MIL-DTL-26482	MS3110	Wall Mount Receptacle	667-472
	MS3114	Jam Nut Receptacle	
	MS3120	Wall Mount Receptacle	
	MS3121	In-Line Receptacle	
	MS3122	Box Mount Receptacle	
	MS3470	Wall Mount Receptacle	



ProSeal™ Spring-Action Protective Covers

Broad compatibility with MS standard connectors

MILITARY CONNECTOR STANDARD TO PRO-SEAL PART NUMBER X-REF			
MILITARY CONNECTOR OR CONNECTOR SERIES	CONNECTOR PART NO.	DESCRIPTION	PROSEAL PART NUMBER
MIL-DTL-38999 SERIES I	MS27466	Wall Mount Receptacle	667-467
	MS27468	Jam Nut Receptacle	
	MS27496	Box Mount Receptacle	
MIL-DTL-38999 SERIES II	MS27472	Wall Mount Receptacle	667-447
	MS27474	Jam Nut Receptacle	
	MS27475	Wall Mount Receptacle	
	MS27476	Box Mount Receptacle	
	MS27477	Jam Nut Receptacle	
	MS27478	Solder Mount Receptacle	
	MS27497	Wall Mount Receptacle, Back Panel Mount	
	MS27499	Box Mount Receptacle	
	MS27508	Box Mount Receptacle, Back Panel Mount	
	MS27513	Box Mount Receptacle, Long Grommet	
MIL-DTL-38999 SERIES III	/20	Wall Mount Receptacle	667-448
	/21	Box Mount Receptacle	
	/23	Jam Nut Receptacle	667-449
	/24	Jam Nut Receptacle	

ProSeal™ Spring-Action Protective Covers

Compatibility with Glenair Signature Series Connectors

MILITARY CONNECTOR STANDARD TO PRO-SEAL PART NUMBER X-REF			
MILITARY CONNECTOR OR CONNECTOR SERIES	CONNECTOR PART NO.	DESCRIPTION	PROSEAL PART NUMBER
801 SERIES	801-009-02	Mighty Mouse Double-Start ACME Thread Receptacle, Flange Mount, with Banding Platform	667-497 667-509
	801-009-07	Mighty Mouse Double-Start ACME Thread Receptacle, Jam-Nut, with Banding Platform	
	801-010-02	Mighty Mouse Double-Start ACME Thread Receptacle, Flange-Mount, with Accessory Threads	
	801-010-07	Mighty Mouse Double-Start ACME Thread Receptacle, Jam-Nut, with Accessory Threads	
804 SERIES	804-003-07	Push-Pull Rear Panel Mount Receptacle to PC-Tail or Solder Cup	667-387 667-392
	804-005-07	Push-Pull Rear Panel Mount Receptacle to PC-Tail or Solder Cup	
	2330-0400	Push-Pull Rear Panel Mount Receptacle RJ45 Jack to PC-Tail	
	2330-0401	Push-Pull Rear Panel Mount Receptacle USB 2.0 Jack to PC-Tail	
805 SERIES	805-00*-02	Mighty Mouse Triple Start ACME Thread, Wall Mount Receptacle	667-424 667-462
	805-00*-07	Mighty Mouse Triple Start ACME Thread, Jam Nut Receptacle	
	805-301	Mighty Mouse, Super Seal with RJ45	
	805-341	Mighty Mouse, Super Seal with USB 2.0 Type A	
806 SERIES	806-013	Series 806 Mil-Aero Square Flange Receptacle	667-511
	806-020	Series 806 Mil-Aero Jam Nut Receptacle	667-512

ProSeal™ Spring-Action Protective Covers

Positive spring action and lock-in-place feature



Powerful spring action
maintains environmental seal



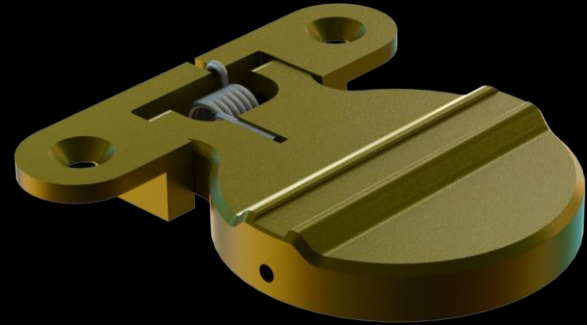
Lock-in-place feature for
convenient mate / demate

ProSeal™ Spring-Action Protective Covers

Alternative mounting configurations



Rear-mount jam-nut style
(for Series 804)

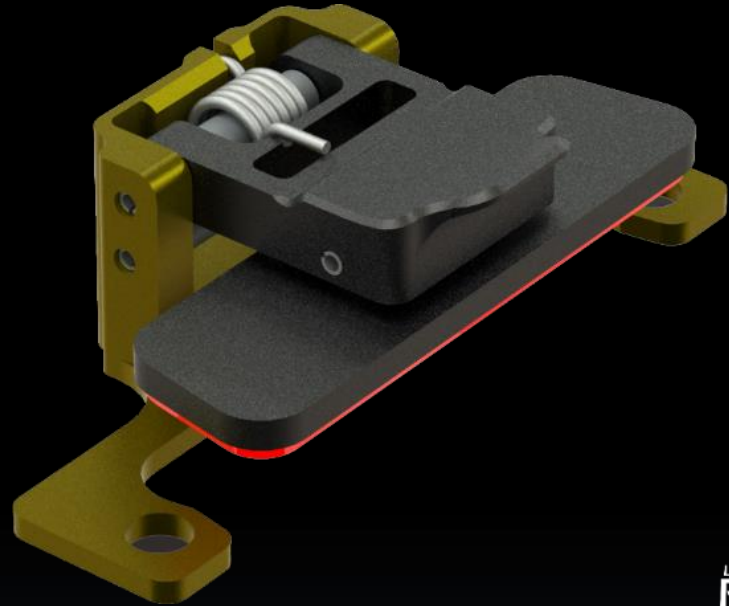


Rear wall-mount style
(Series 804)

ProSeal™ Spring-Action Protective Covers

Rectangular connector covers

- Available for M24308 D-Sub, HiPer-D, and Series 79



ProSeal™ Spring-Action Protective Covers

Specialty configuration

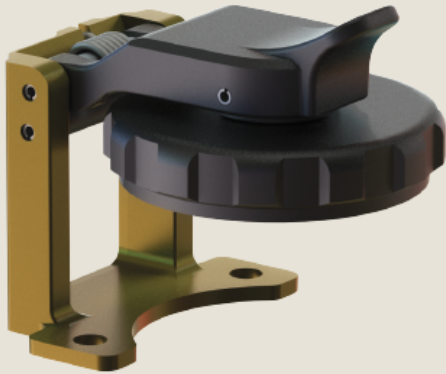
- For USB connectors



How to Order

Example: ProSeal for MIL-DTL-38999 Series III

667-448 PROSEAL PROTECTIVE COVER FOR D38999 SERIES III CONNECTORS



How to Order 667-448					
Sample Part Number	667-448	NF	17	T1	J
Series	ProSeal protective cover for D38999 Series III connectors				
Material / Finish	See Table II				
Shell Size	See Table I				
Panel Thickness	See Table III				
Type of Mounting	J = Jam Nut Mount Receptacle W = Wall Mount Receptacle				

The widest range of
mission-critical interconnect
technologies in the world

LEONARDO'S
PROSEAL
spring-action protective covers



Glencair®

Leonardo's ProSeal™ Spring-Action
Protective Covers