

Series 970 PowerTrip™ Connectors and Accessories  
 Receptacle Connectors  
 970-026 Dual O-ring, Jam-Nut, Bulkhead Feedthru Hermetic



**970-026 HERMETIC BULKHEAD FEED-THRU CONNECTOR**



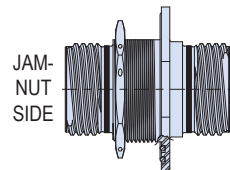
Series 970 PowerTrip™ dual O-ring hermetic feed-thru bulkhead receptacles have pin contacts on one side and socket contacts on the other side. Attach mating plug connectors to both sides. Compression glass hermetic seal. 100% tested to meet helium leak rate of  $1 \times 10^{-7}$  cc/second at 15 psi pressure differential. Contacts are factory installed and non-removable. Standard gold plated contacts for improved corrosion protection. Silver plated contacts available for contact sizes 0, 4, and 8 only. Jam-nut rear panel mount, accommodates panel thicknesses of  $\frac{1}{16}$  inch (1.58mm) to  $\frac{1}{2}$  inch (12.7mm).

- $1 \times 10^{-7}$  ccHe/sec
- Harsh Environment

PRODUCT FACTS
2000 VAC Sea Level DWV Rating
-65°C to +200°C Operating Temperature
6 Feet Water Immersion, 48 Hours
65 dB min. Attenuation, up to 10GHz
500 Cycles Mating Durability
MIL-S 901 Grade A High-Impact Shock
43 g Random Vibration

**HOW TO ORDER**

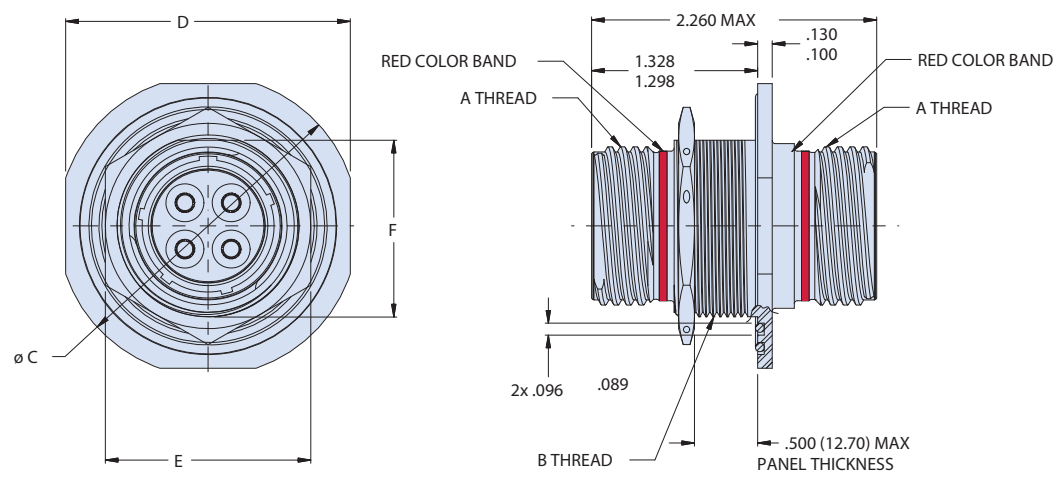
SERIES	SHELL MATL AND FINISH	SHELL SIZE - INSERT ARRANGEMENT					CONTACT TYPE	CONTACT PLATING	KEY POSITION	
		Cont. Arr.	Contact Size and Qty							
		#16	#12	#8	#4	#1/0				
<b>970-026</b> Series 970 Dual O-ring Hermetic Bulkhead Feed-Thru Connector, with Jam-nut Mounting	<b>Stainless Steel Shell</b>  <b>Z1</b> Passivated  <b>ZL</b> Electrodeposited Nickel			2			<b>P</b> Pin Contacts on Jam-nut Side	<b>1</b> Silver Plated Contacts	<b>-1</b> Position 1	
		<b>18-2</b>							<b>-2</b> Position 2	
		<b>18-4</b>		2	2					<b>-3</b> Position 3
		<b>20-3</b>			3					<b>-4</b> Position 4
		<b>20-4</b>			4					<b>-5</b> Position 5
		<b>20-5</b>		2	3					<b>-6</b> Position 6
		<b>20-7</b>	4		3					
		<b>24-2</b>				2				
		<b>24-3</b>				3				
		<b>24-5</b>			5					
		<b>24-6</b>		4		2				
		<b>24-A6</b>		3		3				
		<b>28-4</b>				4				
		<b>28-8</b>		1	7					
		<b>28-9</b>	5			4				
		<b>28-15</b>	15							
		<b>32-2</b>							2	
		<b>32-3</b>							3	
		<b>32-4</b>				2			2	
		<b>32-5</b>				5				
<b>32-6</b>		3			3					
<b>32-20</b>	1	19								
<b>36-4</b>					4					
<b>36-16</b>	3		13							
<b>40-5</b>					5					
<b>40-21</b>			21							
<b>Sample Part Number</b>										
<b>970-026</b>	<b>Z1</b>	<b>32-4</b>					<b>S</b>	<b>2</b>	<b>-1</b>	





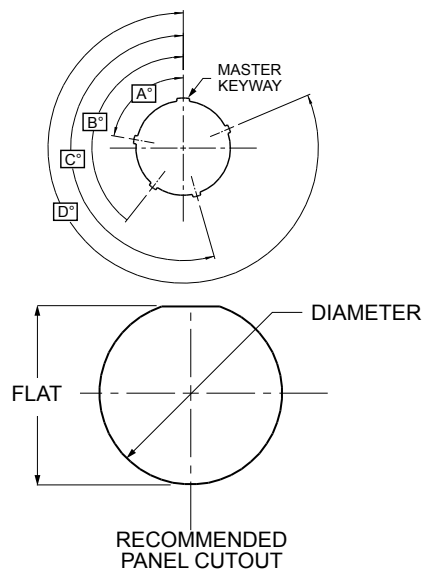
**Series 970 PowerTrip™ Connectors and Accessories**  
**Receptacle Connectors**  
 970-026 Dual O-ring, Jam-Nut, Bulkhead Feedthru Hermetic

**970-026 DUAL O-RING HERMETIC FEED-THRU RECEPTACLE**



DIMENSIONS										
Shell Size	A Mating Thd.	B Jam-nut Thd.	ø C		D		E		F	
			In.	mm.	In.	mm.	In.	mm.	In.	mm.
18	1.125-.1P-.3L-TS-2A	1.250-18 UNEF-2A	2.250	57.15	2.125	53.98	1.438	36.53	1.212	30.78
20	1.250-.1P-.3L-TS-2A	1.4375-18 UNEF-2A	2.375	60.33	2.250	57.15	1.625	41.28	1.399	35.53
24	1.500-.1P-.3L-TS-2A	1.625-18 UNEF-2A	2.625	66.68	2.500	63.50	1.822	46.42	1.587	40.31
28	1.750-.1P-.3L-TS-2A	1.9375-16 UN-2A	2.875	73.03	2.700	68.58	2.188	55.58	1.899	48.23
32	2.000-.1P-.3L-TS-2A	2.125-16 UN-2A	3.000	76.20	2.800	71.12	2.375	60.33	2.084	53.00
36	2.250-.1P-.3L-TS-2A	2.375-16 UN-2A	3.125	79.38	3.025	76.84	2.625	66.68	2.323	59.00
40	2.500-.1P-.3L-TS-2A	2.625-16 UN-2A	3.500	88.90	3.300	83.82	2.875	73.03	2.548	54.72

KEY POSITIONS				
Position	A°	B°	C°	D°
1	80	142	196	293
2	135	170	200	310
3	49	169	200	244
4	66	140	200	257
5	62	145	180	280
6	79	153	197	272



Shell Size	Diameter		Flat	
	In.	mm.	In.	mm.
	-0.000 +0.010	-0.00 +0.25	-0.000 +0.010	-0.00 +0.25
18	1.265	32.13	1.217	30.91
20	1.452	36.88	1.409	35.79
24	1.640	41.66	1.596	40.54
28	1.952	49.58	1.910	48.51
32	2.140	54.36	2.092	53.14
36	2.390	60.71	2.342	59.49
40	2.640	67.06	2.557	64.95