

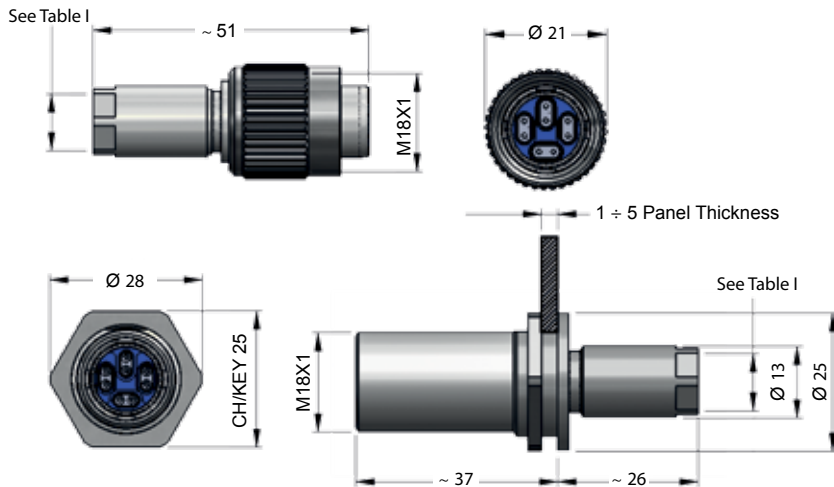
The faster 4/8 pole industrial Ethernet interconnect system



QT Connectors for Ethernet Switches

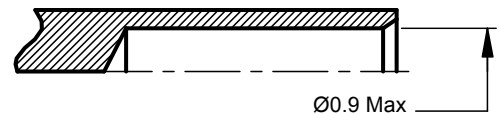


How To Order								
Sample Part Number	Q	T	8	P	-X	B1	XXX	-7A
Product Series	Q							
Connector Type	T = Octobyte power connectors							
Number of Contacts	8 = 8 Poles							
Contact Gender	P = Pin contacts - Plug only R = Socket contacts - Receptacle only							
Cable Range	See Table I							
Plating	Nickel plating							
Alternative Color	See Table II. Omit for standard (Blue)							
Category	-7A = Cat 7A							



CONTACT BUCKET DETAIL

Wire Size : AWG 22 - AWG 28



Data Transmission Ethernet Contacts for	Ethernet CAT 6A
	Ethernet CAT 7
	Ethernet CAT 7A
Featuring	Internal crimpable contacts
	Inspectable contact
	Integrated cable clamp
	Low mating force
Technical Characteristics	Current rating 5A max
	Voltage drop (at 5A and 25°C) 70 mV max
Materials and Finish	Copper alloy and gold plating
Inserts	Thermoplastic resin - UL94V0
	Aluminum alloy/anodized (see Table II)

Table I	
Wire Size Type	Cable O.D. Range
A	6-7
B	7-8
C	8-9
D	9-9.6

Table II	
Color Code	Color
Omitted for Standard	
G14	Black
G14GN	Green
G14GY	Grey
G14R	Red
G14Y	Yellow

NOTES

Crimp Tools and Insertion/Removal Tools

- Crimper: 809-015
- Positioner: 809-005
- Standard Insertion/Removal Tool: 809-088 and M.104010