

QPL QUALIFIED

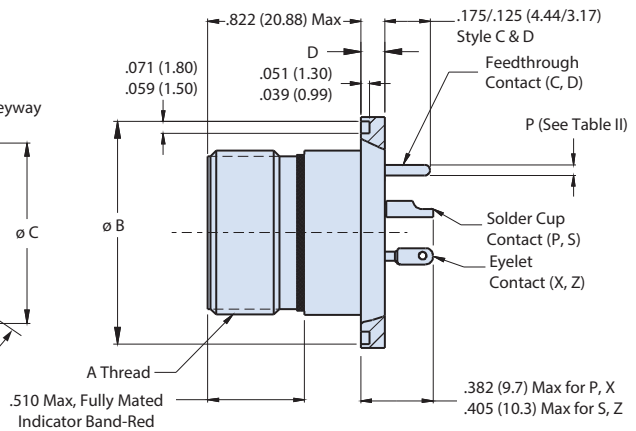
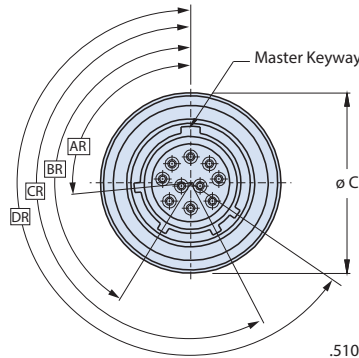
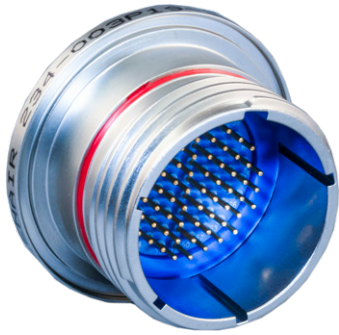
MIL-DTL-38999 Series III, Triple-Start Thread

D38999/27 weld mount hermetic receptacle



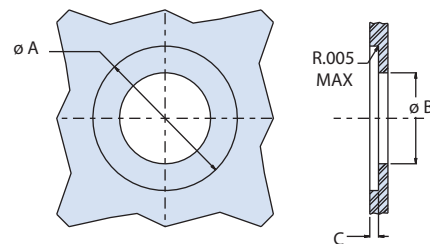
SERIES III HERMETIC

QPL Part Number Development						
Sample Part Number	D38999/27	Y	B	35	P	N
MIL-DTL-38999	D38999/27 = Weld mount receptacle					
Class	N = Hermetic, CRES, nickel finish, conductive, -65°C to 200°C Y = Hermetic, CRES, passivate finish, conductive, -65°C to 200°C H = Hermetic, CRES, passivate finish, conductive, -65°C to 200°C (space grade)					
Shell Size Code	A, B, C, D, E, F, G, H and J (per MIL-STD-1560)					
Insert Arrangement	Per MIL-STD-1560; See reference information section for details					
Contact Type	P = Pin, solder cup		X = Pin, eyelet		C = Pin, PCB flex feedthrough	
	S = Socket, solder cup		Z = Socket, eyelet		D = Socket, PCB flex feedthrough	
Alternate Polarization	A, B, C, D, E, N = Normal					



Panel Cut-Out Dimensions				
Shell Size Code	Shell Size	Ø A	Ø B	Ø C
A	9	.990 (25.15)	.300 (7.62)	.126 (3.20)
		.985 (25.02)		
B	11	1.112 (28.24)	.430 (10.92)	.126 (3.20)
		1.107 (28.12)		
C	13	1.238 (31.45)	.550 (13.97)	.126 (3.20)
		1.233 (31.32)		
D	15	1.364 (34.65)	.675 (17.15)	.126 (3.20)
		1.359 (34.52)		
E	17	1.451 (36.86)	.795 (20.19)	.126 (3.20)
		1.446 (36.73)		
F	19	1.597 (40.56)	.895 (22.73)	.126 (3.20)
		1.592 (40.44)		
G	21	1.738 (44.15)	1.010 (25.65)	.126 (3.20)
		1.733 (44.02)		
H	23	1.894 (48.11)	1.135 (28.83)	.157 (3.99)
		1.899 (48.23)		
J	25	1.990 (50.55)	1.250 (31.75)	.157 (3.99)
		1.985 (50.42)		

Wire Accommodation	
Contact Size	Wire Gauge
22D	#22 - #28
20	#20 - #24
16	#16 - #20
12	#12 - #14



COTS Part Number Development						
Sample Part Number	233-100-H8	Z1	11	-35	P	N
Series / Basic Part No.	233-100-H8 = Hermetic, weld mount receptacle					
Material/Finish	ZL = CRES, nickel finish, conductive, -65°C to 200°C Z1 = CRES, passivate finish, conductive, -65°C to 200°C Z1S = Hermetic, CRES, passivate finish, conductive, -65°C to 200°C (space grade)					
Shell Size	9, 11, 13, 15, 17, 19, 21, 23, 25 see dimensions table					
Insert Arrangement	Per MIL-STD-1560; See reference information section for details					
Contact Type	P = Pin, solder cup S = Socket, solder cup		X = Pin, eyelet Z = Socket, eyelet		C = Pin, PCB flex feedthrough D = Socket, PCB flex feedthrough	
Alternate Polarization	A, B, C, D, E, N (Normal)					

Additional material/finish options are available, consult factory for ordering information.

Contact Size	
<p>FEEDTHROUGH CONTACT STYLE C AND D</p> <p>SIZE 12 AND SIZE 16 .065 (1.7) .035 (0.9)</p> <p>SIZE 22D AND SIZE 20</p>	
Contact Size	ø P
22D	.011 (0.28) .015 (0.38)
20	.024 (0.61) .028 (0.71)
16	.0635 (1.61) .0615 (1.56)
12	.095 (2.41) .093 (2.36)

Dimensions					
Shell Size Code	Shell Size	A Thread .1P-.3L-TS-2A	ø B	ø C	D
A	9/09	.6250	.941 (23.9) .929 (23.6)	.984 (25.0) .972 (24.7)	.134 (3.4) .118 (3.0)
B	11	.7500	1.063 (27.0) 1.051 (27.0)	1.106 (28.1) 1.094 (27.8)	.134 (3.4) .118 (3.0)
C	13	.8750	1.189 (30.2) 1.177 (28.9)	1.232 (31.3) 1.220 (31.0)	.134 (3.4) .118 (3.0)
D	15	1.0000	1.315 (33.4) 1.303 (33.1)	1.358 (34.5) 1.346 (34.2)	.134 (3.4) .118 (3.0)
E	17	1.1875	1.402 (35.6) 1.390 (35.3)	1.445 (36.7) 1.433 (36.4)	.134 (3.4) .118 (3.0)
F	19	1.2500	1.547 (39.3) 1.535 (39.0)	1.591 (40.4) 1.579 (40.1)	.134 (3.4) .118 (3.0)
G	21	1.3750	1.689 (42.9) 1.677 (42.6)	1.732 (44.0) 1.720 (43.7)	.134 (3.4) .118 (3.0)
H	23	1.5000	1.854 (47.1) 1.842 (46.8)	1.898 (48.2) 1.886 (47.4)	.165 (4.2) .149 (3.8)
J	25	1.6250	1.941 (49.3) 1.929 (49.0)	1.984 (50.4) 1.972 (50.1)	.165 (4.2) .149 (3.8)

Series III Alternate Keyway Polarizations																				
Shell Size Code	Shell Size	Key and Keyway ID Letter	AR° BSC	BR° BSC	CR° BSC	DR° BSC	Shell Size Code	Shell Size	Key and Keyway Code	AR° BSC	BR° BSC	CR° BSC	DR° BSC	Shell Size Code	Shell Size	Key and Keyway ID Letter	AR° BSC	BR° BSC	CR° BSC	DR° BSC
A	9	N	105	140	215	265	B C D	11 13 15	N	95	141	208	236	E F G H J	17 19 21 23 25	N	80	142	196	293
		A	102	132	248	320			A	135	170	200	310							
		B	80	118	230	312			B	49	169	200	244							
		C	35	140	205	275			C	66	140	200	257							
		D	64	155	234	304			D	62	145	180	280							
		E	91	131	197	240			E	79	153	197	272							

Additional Material/Finish Options	
Finish Code	Description
Z1S†	CRES, passivate finish, conductive, -65°C to 200°C, space-grade

† Connectors ordered with "Z1S" include outgas processing to conform to outgassing requirements of Class H.