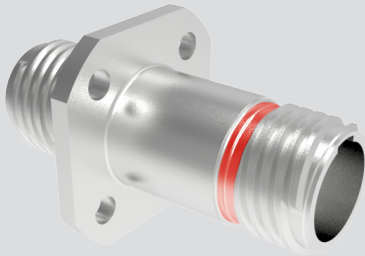


ENVIRONMENTAL, MICRO MINIATURE CIRCULAR Series 806 Mil-Aero Connectors



806-029 Flange Receptacle, Bulkhead Feed-Thru



806-029 Bulkhead feed-thrus eliminate the need to permanently fix cable harnesses to panels — affording increased system flexibility, superior mechanical integrity, and greater serviceability. Environmental versions offer IP67 level sealing.

Features

- Power to a given contact on one end will result in power to contact directly opposite, regardless of identification letter.
- Electrical safety limits must be established by user. Peak voltage, switching surge, transient, ect. Should be used to determine to safe application.
- Triple-start stub ACME mating thread
- High density #20HD and #22HD arrangements for reduced size and weight plus #16, #12, and #8 arrangements and combo layouts
- Aerospace-grade materials, construction

Specifications

- Operating temperature:
Finishes ME, MT, Z1: -65°C to +200°C
Finishes NF, ZR: -65°C to +175°C
- Dielectric withstanding voltage
#20HD contacts: 1800 VAC
#22HD contacts: 1300 VAC
#16 contacts: varies; contact factory
#12 contacts: varies; contact factory
#8 contacts: varies; contact factory
- Mating durability: 500 cycles
- Mechanical shock: EIA-364-27, 300g.
- Vibration (sine): MIL-DTL-38999M, 60g.
- Vibration (random) EIA-364-28 Condition VI, Letter J, 43.92 Grms, +200°C
- High Impact shock: MIL-S-901 Grade A
- Humidity: EIA-364-31 Method 4
- Salt spray (dynamic): EIA-364-26, 500 hours (96 hours for nickel-plated versions)
- Fluid immersion: EIA-364-10
- Altitude immersion: EIA-364-03 75,000 feet altitude

Connector Construction

- Shell - AL alloy or CRES / see Table II.
- Insulators - High grade rigid dielectirc.
- Interfacial seal, grommet - fluorosilicone blend
- Contact - copper alloy / gold plate per mil-g-45204, Type II, Grade C, Class 5 (.000050 Inch) over a minimum of .000050 Inch nickel plating.

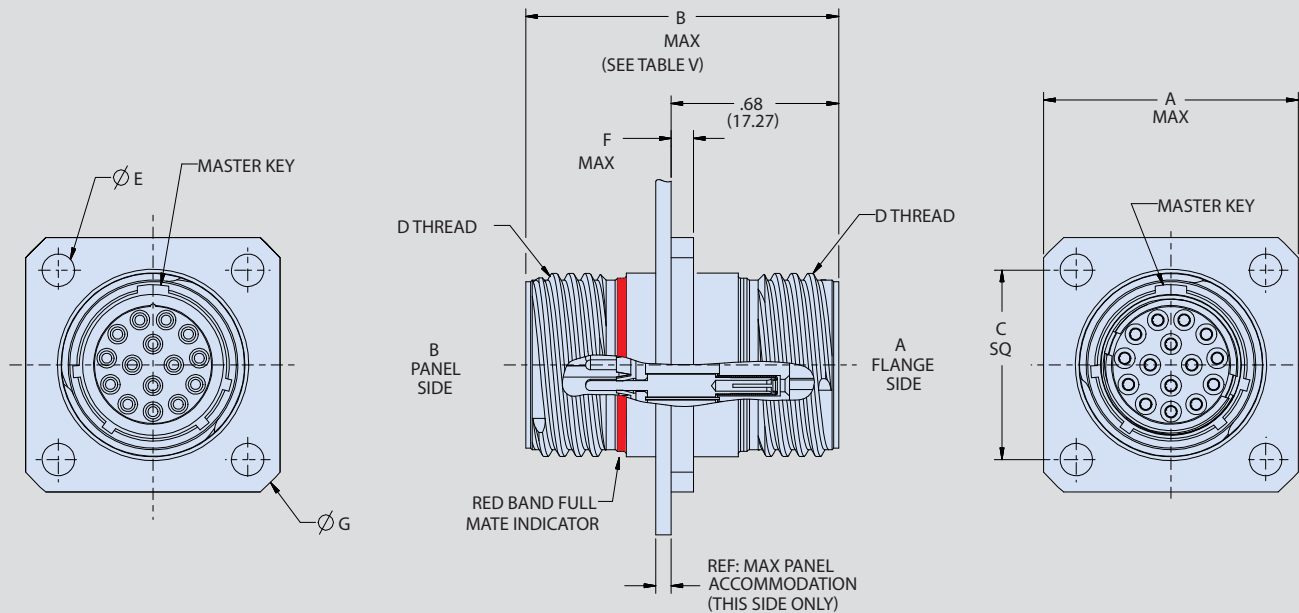
How To Order								
SAMPLE PART NUMBER	806-029	-ME	8	-7	P	C	A	-01
Product	806-029 = Square Mount Receptacle, Bulkhead Feed -Thru							
Finish Symbol	See Table III							
Shell Size	See Table II							
Insert Arrangement	See Table II; adjust table numbering as needed							
Contact Style	See Table IV							
Panel Mounting Hole Style	C = Clinch Nut, 4-40 THD M45938/6-4C (For Rear Panel Mounting Only) T = Thru Hole							
Alernate Keyway Polarization Code	A B C D E F							
Panel Accommodation	(See Table VI) -01 = .0625/.125 THK -02 = .0625/.250 THK -03 = .0625/.500 THK							

Table I: Shell Size - Insert Arrangement																	
Contact Layout	Number of Contacts					Contact Layout	Number of Contacts					Contact Layout	Number of Contacts				
	22HD	20HD	16	12	8		22HD	20HD	16	12	8		22HD	20HD	16	12	8
7-3	3					22-69	69				16-2				2		
8-4	4					24-92	92				18-3				3		
8-7	7					8-1		1			20-4				4		
9-11	11					10-2		2			22-5				5		
10-15	15					11-4		4			24-8				8		
11-19	19					12-5		5			10-8A	6	2				
12-26	26					14-7		7			11-13	11	2				
14-39	39					16-12		12			12-27	26	1				
16-60	60					18-15		15			14-21	17	4				
18-85	85					20-22		22			16-41	37	4				
20-110	110					22-24		24			18-59	55	4				
22-140	140					24-35		35			11-14	13		1			
24-186	186					9-1			1		12-14	12		2			
8-3		3				12-2			2		14-22	20		2			
9-5		5				14-3			3		12-14	12		2			
10-8		8				16-4			4		16-42	40		2			
11-10		10				16-7			7		18-62	60		2			
12-15		15				18-8			8		14-20A	19			1		
14-20		20				20-11			11		16-22	20			2		
16-31		31				22-13			13		18-21	18			3		
18-41		41				24-19			19		20-28	24			4		
20-55		55				10-1				1	22-44	40			4		
											24-97	93			4		

Series 806 Mil-Aero Connectors



806-029 Flange Receptacle, Bulkhead Feed-Thru

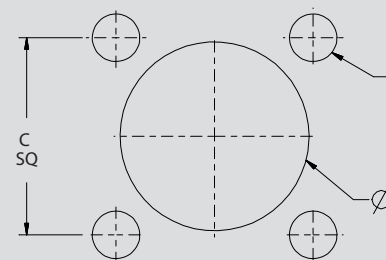


CONTACT STYLE "P" SHOWN

Table II

Shell size	A Max	C	D Mating Thread	ϕE Thru Hole	F Max	G Max
8	0.822 (20.88)	0.531 (13.49)	.5000-.067P-.2L-TS-2A	0.128 (3.25)	0.100 (2.54)	1.040 (26.42)
9	0.885 (22.48)	0.594 (15.09)	.5625-.067P-.2L-TS-2A			1.130 (28.70)
10	0.913 (23.19)	0.625 (15.88)	.6250-.067P-.2L-TS-2A			1.174 (29.82)
11	0.960 (24.38)	0.670 (17.02)	.6875-.067P-.2L-TS-2A			1.200 (30.48)
12	1.040 (26.42)	0.765 (19.43)	.7500-.067P-.2L-TS-2A			1.354 (34.39)
14	1.133 (28.78)	0.859 (21.82)	.8750-.067P-.2L-TS-2A			1.510 (38.35)
16	1.227 (31.17)	0.938 (23.83)	1.0000-.067P-.2L-TS-2A			1.620 (41.15)
18	1.320 (33.53)	1.016 (25.81)	1.1250-.067P-.2L-TS-2A			1.784 (45.31)
20	1.444 (36.68)	1.109 (28.17)	1.2500-.067P-.2L-TS-2A			1.910 (48.51)
22	1.570 (39.88)	1.203 (30.56)	1.3750-.067P-.2L-TS-2A			0.154 (3.91)
24	1.696 (43.08)	1.312 (33.32)	1.5000-.067P-.2L-TS-2A			2.200 (55.88)

PANEL MOUNT INFO



Mount Info Table VI

Size	ϕJ	H	
		With Clinch Nut	Without Clinch Nut
8	.505 (12.83)	.128 (3.25)	
9	.572 (14.53)		
10	.640 (16.26)		
11	.707 (17.96)		
12	.762 (19.35)		
14	.885 (22.48)		
16	1.01 (25.65)		
18	1.12 (28.45)		
20	1.27 (32.26)		
22	1.395 (35.43)		
24	1.520 (38.61)		

Table III

Code	Material	Finish
NF	Aluminum Alloy	Cad/Olive Drab Over Electroless Nickel
MT		Nickel-PTFE
ME		Electroless Nickel
ZR		Zinc Nickel, Black
Z1	Stainless Steel	Passivated
ZL		Electro-Deposited Nickel

Table IV

Contact Style	Description 6
P	Pin Contact On Panel Side (Socket Opposite)
S	Socket Contact On Panel Side (Pin Opposite)
PP	Pins On Both Sides
SS	Socket On Both Sides

Table V

Panel Accommodation	B Max
-01	1.29 (32.77)
-02	1.40 (35.56)
-03	1.65 (41.91)