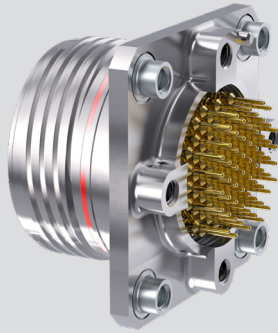


Series 806 Mil-Aero Connectors



806-022 Square Flange Receptacle, PC Tail or Solder Cup Contacts



806-022 square flange receptacles feature potted-in-place printed circuit board terminals, integral standoffs and threaded holes for attachment to rigid or flex circuit boards. Series 806 connectors save size and weight. Suitable for harsh environmental areas such as unpressurized aircraft zones subject to extreme conditions.

Features

- Triple-start stub ACME mating thread
- High density #22HD and #20HD arrangements for reduced size and weight
- Aerospace-grade materials, construction
- Integral PC board standoffs
- Threaded holes for secure attachment to rigid or flex circuits
- Alignment post

Specifications

- Operating temperature:
Finishes ME, MT, Z1: -65°C to +200°C
Finishes NF, ZR: -65°C to +175°C
- Dielectric withstanding voltage
#22HD: 1800 VAC
#20HD: 1300 VAC
- Mating durability: 500 cycles
- Mechanical shock: EIA-364-27, 300g.
- Vibration (sine): MIL-DTL-38999M, 60g.
- Vibration (random) EIA-364-28 Condition VI, Letter J, 43.92 Grms, +200°C
- High Impact shock: MIL-S-901 Grade A
- Humidity: EIA-364-31 Method 4
- Salt spray (dynamic): EIA-364-26, 500 hours
- Fluid immersion: EIA-364-10
- Altitude immersion: EIA-364-03 75,000 feet altitude
- Indirect Lightning Strike: EIA-364-75 Type B Level 2 10kA Peak

Connector Construction

- Shell, jam-nut: aluminum or stainless steel
- Contacts: copper alloy, gold plating
- Potting compound: epoxy
- Interfacial seal and peripheral seal: fluorosilicone
- Dielectric inserts: high grade rigid dielectric
- Clinch nuts: stainless steel, passivated

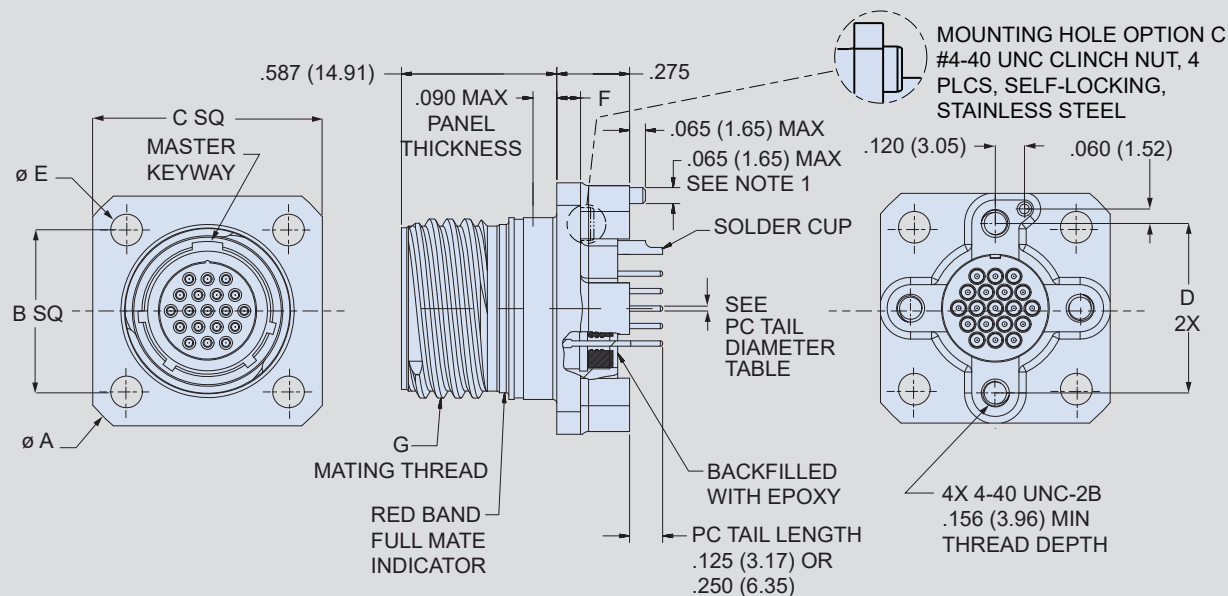
How To Order							
SAMPLE PART NUMBER	806-022	-ME	11-19	P	1	C	A
Product	806-022 = Square Flange Receptacle, PC Tails						
Shell Material and Finish	ME = Aluminum, Electroless Nickel MT = Aluminum, Ni/PTFE ZR = Aluminum, Black Zinc-Nickel NF = Aluminum, Olive Drab Cadmium Z1 = Stainless Steel, Passivated						
Arrangement Number	See Table 1 (Shell Size - Insert Arr.)						
Contact Type	P = Pin S = Socket E = Solder Cup, Pin F = Solder Cup, Socket Not Available with El Ochito contacts see 806-040						
Termination Type	PC Tail Length 1 = .125" (3.18 mm.) 2 = .250" (6.35 mm.)			Solder Cup Omit = Soldercup			
Mounting Hole Style	T = Thru holes C = Clinch nut flange, #4-40, M45938/6-4C (rear panel mounting); consult factory for SST material						
Polarizing Position	A B C D E F; (See Page 7)						

Table I: Shell Size - Insert Arrangement																	
Contact Layout	Number of Contacts					Contact Layout	Number of Contacts					Contact Layout	Number of Contacts				
	22HD	20HD	16	12	8		22HD	20HD	16	12	8		22HD	20HD	16	12	8
7-3	3					22-69	69				16-2					2	
8-4	4					24-92	92				18-3					3	
8-7	7					8-1		1			20-4					4	
9-11	11					10-2		2			22-5					5	
10-15	15					11-4		4			24-8					8	
11-19	19					12-5		5			10-8A	6		2			
12-26	26					14-7		7			11-13	11		2			
14-39	39					16-12		12			12-27	26		1			
16-60	60					18-15		15			14-21	17		4			
18-85	85					20-22		22			16-41	37		4			
20-110	110					22-24		24			18-59	55		4			
22-140	140					24-35		35			11-14	13			1		
24-186	186					9-1			1		12-14	12			2		
8-3		3				12-2			2		14-22	20			2		
9-5		5				14-3			3		12-14	12			2		
10-8		8				16-4			4		16-42	40			2		
11-10		10				16-7			7		18-62	60			2		
12-15		15				18-8			8		14-20A	19				1	
14-20		20				20-11			11		16-22	20				2	
16-31		31				22-13			13		18-21	18				3	
18-41		41				24-19			19		20-28	24				4	
20-55		55				10-1				1	22-44	40				4	
											24-97	93				4	

Series 806 Mil-Aero Connectors



806-022 Square Flange Receptacle, PC Tail or Solder Cup Contacts

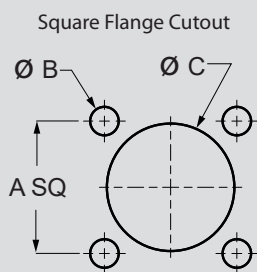


806-022 Receptacle Dimensions

Shell Size	A Max	B	C Max	D	øE	F Max	G Mating Thread
7	.968 (24.59)	.469 (11.91)	.750 (19.05)	.489 (12.42)	.128 (3.25)	.100 (2.54)	.4375-.067P-.2L-TS-2A
8	1.040 (26.42)	.531 (13.49)	.822 (20.88)	.534 (13.56)	.128 (3.25)	.100 (2.54)	.5000-.067P-.2L-TS-2A
9	1.130 (28.70)	.594 (15.09)	.885 (22.48)	.579 (14.71)	.128 (3.25)	.100 (2.54)	.5625-.067P-.2L-TS-2A
10	1.174 (29.82)	.625 (15.88)	.913 (23.19)	.679 (17.25)	.128 (3.25)	.100 (2.54)	.6250-.067P-.2L-TS-2A
11	1.240 (31.50)	.670 (17.02)	.960 (24.38)	.734 (18.64)	.128 (3.25)	.100 (2.54)	.6875-.067P-.2L-TS-2A
12	1.354 (34.39)	.765 (19.43)	1.040 (26.42)	.804 (20.42)	.128 (3.25)	.100 (2.54)	.7500-.067P-.2L-TS-2A
14	1.510 (38.35)	.859 (21.82)	1.133 (28.78)	.891 (22.63)	.128 (3.25)	.100 (2.54)	.8750-.067P-.2L-TS-2A
16	1.620 (41.15)	.938 (23.83)	1.242 (31.55)	1.049 (26.64)	.128 (3.25)	.100 (2.54)	1.0000-.067P-.2L-TS-2A
18	1.784 (45.31)	1.016 (25.81)	1.343 (34.11)	1.148 (29.16)	.128 (3.25)	.100 (2.54)	1.1250-.067P-.2L-TS-2A
20	1.910 (48.51)	1.109 (28.17)	1.444 (36.68)	1.252 (31.80)	.154 (3.91)	.125 (3.18)	1.2500-.067P-.2L-TS-2A
22	2.083 (52.91)	1.203 (30.56)	1.570 (39.88)	1.369 (34.77)	.154 (3.91)	.125 (3.18)	1.3750-.067P-.2L-TS-2A
24	2.200 (55.88)	1.312 (33.32)	1.704 (43.28)	1.509 (38.33)	.154 (3.91)	.125 (3.18)	1.5000-.067P-.2L-TS-2A

806-022 Panel Cutout Dimensions

Shell Size	A Sq	øB with Clinch Nut	øB without Clinch Nut	øC
7	.469 (11.91)	.128 (3.25)	.128 (3.25)	.443 (11.25)
8	.531 (13.49)	.128 (3.25)	.128 (3.25)	.509 (12.93)
9	.594 (15.09)	.128 (3.25)	.128 (3.25)	.577 (14.66)
10	.625 (15.88)	.128 (3.25)	.128 (3.25)	.645 (16.38)
11	.670 (17.02)	.128 (3.25)	.128 (3.25)	.712 (18.08)
12	.765 (19.43)	.128 (3.25)	.128 (3.25)	.768 (19.51)
14	.859 (21.82)	.128 (3.25)	.128 (3.25)	.890 (22.61)
16	.938 (23.83)	.128 (3.25)	.128 (3.25)	1.015 (25.78)
18	1.016 (25.81)	.128 (3.25)	.128 (3.25)	1.125 (28.58)
20	1.109 (28.17)	.128 (3.25)	.154 (3.91)	1.275 (32.39)
22	1.203 (30.56)	.128 (3.25)	.154 (3.91)	1.400 (35.56)
24	1.312 (33.32)	.128 (3.25)	.154 (3.91)	1.525 (38.73)



PC Tail Diameter

Contact Size	Diameter
#22 HD	.020 (0.51)
#20 HD	.030 (0.76)
#16	.062 (1.57)
#12	.094 (2.39)
#8	.180 (4.57)

NOTES

- Integral PCB Stand off 4x 4-40 UNC .156 (3.96) min thread and locating post