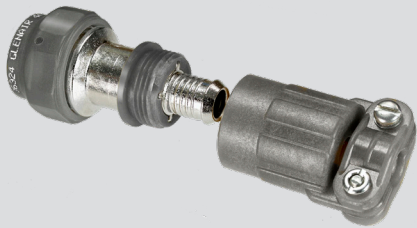


Series 806 Mil-Aero Connectors



4470V*1061 Composite EMI/RFI Band-in-a-Can Backshell



Corrosion-resistant. Self-locking. Shielded. Saddle clamp. Band termination.
EMI/RFI "band-in-a-can" backshell fits Series 806 connectors. Terminate cable shield to backshell with optional **Band-Master ATS®** stainless steel band. Coupling nut and cable clamp are black composite material, adapter is plated with conductive nickel, nickel-PTFE or olive drab cadmium. Non-environmental. Straight, 45° or 90°.

Specifications

- Operating temperature:
codes XM, XMT: -65°C to +200°C
code XW: -65°C to +175°C
- Salt spray (corrosion): 2000 hours

Construction

- Coupling nut, cable clamp, thread ring: high grade engineering thermoplastic, no plating, black
- Adapter body: high grade engineering thermoplastic, see ordering information for finish options.
- Hardware: 300 series stainless steel
- Anti-decoupling device: thermoplastic
- Band strap: stainless steel, passivated

How To Order						
SAMPLE PART NUMBER	4470VS1061	XM	10	12	B	S
Product	4470VS1061 = Straight Backshell 4470VT1061 = 45° Backshell 4470VW1061 = 90° Backshell					
Finish	XM = Electroless nickel XMT = Nickel/PTFE XW = Olive Drab Cadmium					
Shell Size	08 09 10 11 12 14 16 18 20 22 24					
Entry Code	See Table 1 for cable entry codes					
Band Option	<i>Omit for none.</i> B = Band (601-040) K = Pre-coiled band (601-041)					
Slot Option	<i>Omit for none.</i> S = slotted band platform for pigtail braid termination					

Band-Master Bands and Tool

Band strap can be ordered with backshell or purchased separately.



Standard Band Ordering Information

Length		Part Number		Max Dia.	
in.	mm.	Flat	Pre-Coiled	in.	mm.
9.0	229	601-005	601-006	1.0	25
14.0	356	601-040	601-041	1.8	48
18.0	457	601-049	601-050	2.5	64

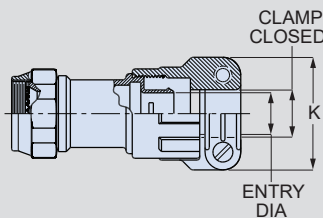
Band Strap Hand Tool

601-100



Table 1 Entry Code

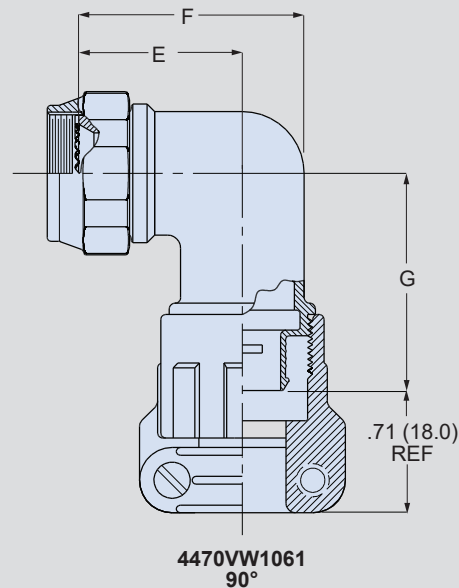
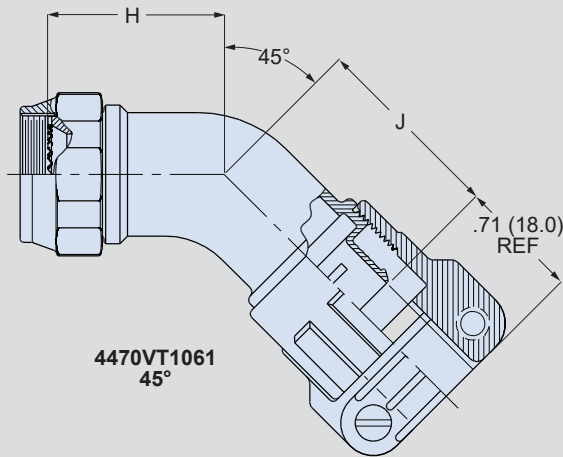
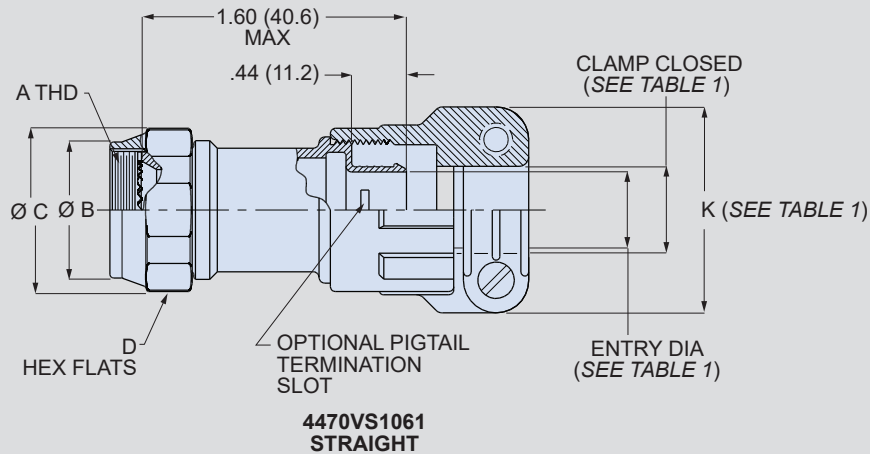
Entry Code	Shell Size	Entry Dia.	Clamp Closed	K
10	08 thru 24	.22 (5.59)	± .03 (0.8)	± .06 (1.5)
12	10 thru 24	.28 (7.11)	.26 (6.60)	.94 (23.88)
14	12 thru 24	.34 (8.64)	.46 (11.68)	1.17 (29.72)
16	14 thru 24	.46 (11.68)	.55 (13.97)	1.41 (35.81)
18	18 thru 24	.55 (13.97)	.62 (15.75)	1.50 (38.10)
20	18 thru 24	.62 (15.75)	.70 (17.78)	1.56 (39.62)
22	22, 24	.70 (17.78)	.78 (19.81)	1.69 (42.93)
24	24	.78 (19.81)	.85 (21.59)	1.81 (45.97)



Series 806

Mil-Aero Connectors

4470V*1061 Composite EMI/RFI Band-in-a-Can Backshell



Shell Size	Max Entry Code	A ISO Metric Thread	ØB Max.	ØC Max.	D Hex	E ± .06 (1.5)	F ± .09 (2.3)	G Max.	H ± .06 (1.5)	J ± .09 (2.3)
08	10	M10 x 1.0-6H	.65 (16.51)	.86 (21.84)	.75 (19.05)	.69 (17.53)	.88 (22.35)	1.31 (33.27)	.72 (18.29)	1.15 (29.21)
09	10	M12 x 1.0-6H	.65 (16.51)	.86 (21.84)	.75 (19.05)	.69 (17.53)	.88 (22.35)	1.31 (33.27)	.72 (18.29)	1.15 (29.21)
10	12	M14 x 1.0-6H	.77 (19.56)	.98 (24.89)	.88 (22.35)	.75 (19.05)	1.00 (25.40)	1.42 (36.07)	.75 (19.05)	1.27 (32.26)
11	12	M15 x 1.0-6H	.77 (19.56)	.98 (24.89)	.88 (22.35)	.75 (19.05)	1.00 (25.40)	1.42 (36.07)	.75 (19.05)	1.27 (32.26)
12	14	M17 x 1.0-6H	.89 (22.61)	1.16 (29.46)	1.00 (25.40)	.81 (20.57)	1.13 (28.70)	1.57 (39.88)	.75 (19.05)	1.33 (33.78)
14	16	M19 x 1.0-6H	1.03 (26.16)	1.28 (32.51)	1.13 (28.70)	.88 (22.35)	1.31 (33.27)	1.57 (39.88)	.76 (19.30)	1.37 (34.80)
16	16	M22 x 1.0-6H	1.03 (26.16)	1.28 (32.51)	1.13 (28.70)	.88 (22.35)	1.31 (33.27)	1.57 (39.88)	.76 (19.30)	1.37 (34.80)
18	20	M25 x 1.0-6H	1.15 (29.21)	1.41 (35.81)	1.25 (31.75)	.94 (23.88)	1.38 (35.05)	1.64 (41.66)	.78 (19.81)	1.39 (35.31)
20	20	M28 x 1.0-6H	1.28 (32.51)	1.52 (38.61)	1.38 (35.05)	.97 (24.64)	1.44 (36.58)	1.73 (43.94)	.79 (20.07)	1.41 (35.81)
22	22	M31 x 1.0-6H	1.41 (35.81)	1.64 (41.66)	1.50 (38.10)	1.06 (26.92)	1.63 (41.40)	1.82 (46.23)	.82 (20.83)	1.43 (36.32)
24	24	M34 x 1.0-6H	1.53 (38.86)	1.77 (44.96)	1.63 (41.40)	1.13 (28.70)	1.75 (44.45)	1.82 (46.23)	.86 (21.84)	1.47 (37.34)