

# Series 806 Mil-Aero Connectors



## 440VS232 EMI/RFI Strain Relief Cable Clamp, Size #8 Contacts



**Strain relief cable clamp adapter. Self-locking.** Threaded coupling adapter with anti-decoupling ratchet prevents loosening under vibration. Accommodates Series 806 connectors with size #8 contacts and cable sealing boots. Aluminum or stainless steel.

### Features

- Expanded clearance for El Ochito contacts
- EMI/RFI
- Band strap shield termination
- Shield termination slot option
- Self-locking spin coupling

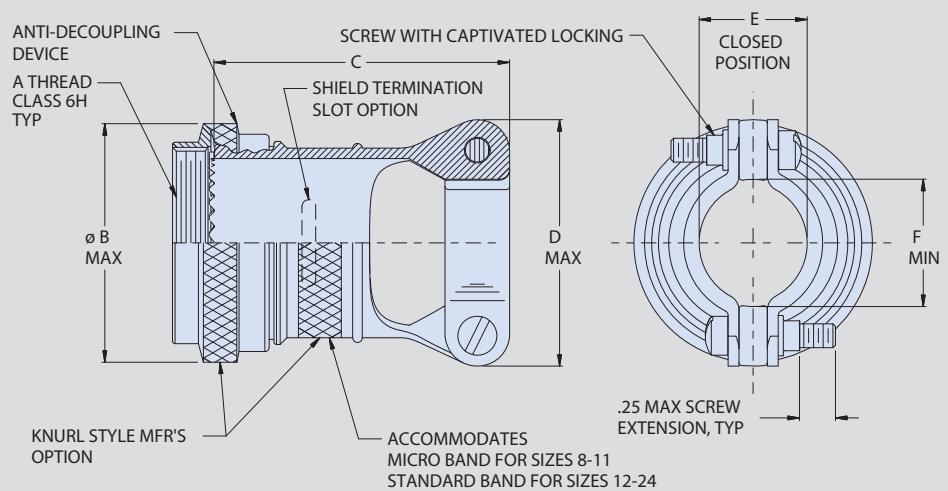
### Specifications

- Operating temperature: codes ME, MT and Z1: -65°C to +200°C codes ZR, NF, TZ: -65°C to +175°C
- Shell conductivity: aluminum versions: 2.5 milliohms max. Stainless steel: 5 milliohms max.
- Salt spray (corrosion) Code ME: 96 hours Code NF, ZR, MT, Z1, TZ: 1000 hours
- Vibration: SAE AS85049 Category 3B
- Shock: SAE AS85049 Category 3B

### Construction

- Coupling nut, saddles, clamp body: aluminum alloy or 300 series stainless steel. See material/finish options in How to Order table.
- Hardware: CRES/passivate or Cad/O.D. over nickel
- Anti-decoupling device: corrosion-resistant material

How To Order						
	SAMPLE PART NUMBER	<b>440VS232</b>	<b>NF</b>	<b>16</b>	<b>S</b>	<b>K</b>
<b>Product</b>	440VS232 = Series 806, Straight Backshell					
<b>Material/ Finish</b>	ME = Aluminum, Electroless Nickel MT = Aluminum, Ni/PTFE NF = Aluminum, Olive Drab Cadmium ZR = Aluminum, Black Zinc-Nickel Z1 = Stainless Steel, Passivated					
<b>Shell Size</b>	<b>08 09 10 11 12 14 16 18 20 22 24</b>					
<b>Shield Termination Slot</b>	<b>S</b> = Shield Termination Slot					
<b>Precoiled Band</b>	<b>K</b> = Percoiled Band (Omit for None)					



Shell Size	A Thread ISO Metric	B Dia Max	C	D Max	E +0.031 (0.79)	F Min
08	M10 x 1	0.642 (16.31)	1.23 (31.24)	0.93 (23.62)	0.205 (5.21)	0.18 (4.57)
09	M12 x 1	0.735 (18.67)	1.28 (32.51)	0.98 (24.89)	0.219 (5.56)	0.22 (5.59)
10	M14 x 1	0.786 (19.96)	1.28 (32.51)	1.02 (25.91)	0.244 (6.20)	0.25 (6.35)
11	M15 x 1	0.830 (21.08)	1.35 (34.29)	1.05 (26.67)	0.264 (6.71)	0.27 (6.86)
12	M17 x 1	0.911 (23.14)	1.35 (34.29)	1.12 (28.45)	0.312 (7.92)	0.32 (8.13)
14	M19 x 1	1.002 (25.45)	1.41 (35.81)	1.20 (30.48)	0.344 (8.74)	0.35 (8.89)
16	M22 x 1	1.149 (29.18)	1.47 (37.34)	1.30 (33.02)	0.460 (11.68)	0.47 (11.94)
18	M25 x 1	1.264 (32.11)	1.53 (38.86)	1.44 (36.58)	0.545 (13.84)	0.55 (13.97)
20	M28 x 1	1.394 (35.41)	1.66 (42.16)	1.56 (39.62)	0.615 (15.62)	0.62 (15.75)
22	M31 x 1	1.513 (38.43)	1.72 (43.69)	1.69 (42.93)	0.698 (17.73)	0.70 (17.78)
24	M34 x 1	1.631 (41.43)	1.78 (45.21)	1.77 (44.96)	0.780 (19.81)	0.78 (19.81)