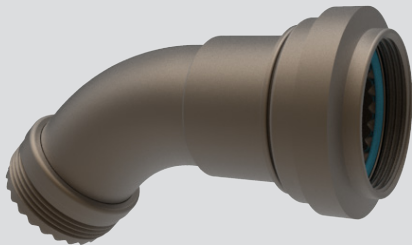


ENVIRONMENTAL, MICRO MINIATURE CIRCULAR Series 806 Mil-Aero Connectors



320V*030 Environmental Extended Adapter for Size #8 Contacts



Self-locking, Straight, 45°, or 90°. Threaded coupling extended front end adapter with long radius angular function. Anti-decoupling ratchet prevents loosening under vibration. Accommodates Series 806 connectors with size #8 contacts. Straight, 45° or 90° cable exit. Aluminum or stainless steel.

Features

- Expanded clearance for El Ochito Contacts
- EMI/RFI
- Self-locking spin coupling

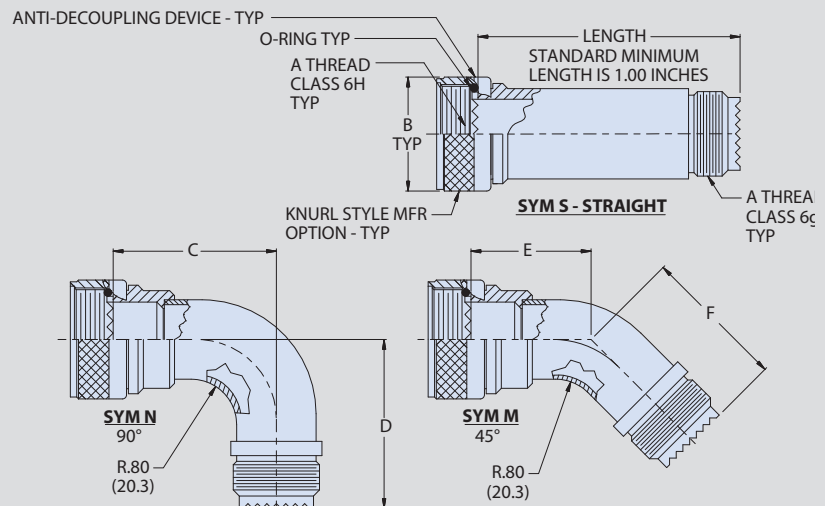
Specifications

- Operating temperature:
codes ME, MT and Z1: -65°C to +200°C
codes ZR, NF, TZ: -65°C to +175°C
- Shell conductivity:
aluminum versions: 2.5 milliohms max.
Stainless steel: 5 milliohms max.
- Salt spray (corrosion)
Code ME: 96 hours
Code NF, ZR, MT, Z1, TZ: 1000 hours
- Vibration: SAE AS85049 Category 3B
- Shock: SAE AS85049 Category 3B

Construction

- Coupling nut, adapter: aluminum alloy or 300 series stainless steel. See material/finish options in How to Order table.
- O-ring: silicone
- Anti-decoupling device: corrosion-resistant material

How To Order					
SAMPLE PART NUMBER		320VS030	ME	16	-4
Product	320VS030 = Straight Backshell 320VM030 = 45° Backshell 320VN030 = 90° Backshell				
Material/ Finish	ME = Aluminum, Electroless Nickel, MT = Aluminum, Ni/PTFE NF = Aluminum, Olive Drab Cadmium TZ = Aluminum, Tin-Zinc ZR = Aluminum, Black Zinc-Nickel Z1 = Stainless Steel, Passivated				
Shell Size	08 09 10 11 12 14 16 18 20 22 24				
Backshell Length	length given in .25 inch increments (eg. 8 = 2.0 inches). Applies to straight backshell only				



Shell Size	A Thread Iso Metric	B Max	C Max	D Max	E Max	F Max	G Max
08	M10 X 1	0.692 (17.58)	1.853 (47.07)	1.457 (37.01)	1.393 (35.38)	0.997 (25.32)	0.723 (18.36)
09	M12 X 1	0.786 (19.96)	1.853 (47.07)	1.457 (37.01)	1.393 (35.38)	0.997 (25.32)	0.723 (18.36)
10	M14 X 1	0.883 (22.43)	1.915 (48.64)	1.519 (38.58)	1.420 (36.07)	1.024 (26.01)	0.742 (18.85)
11	M15 X 1	0.911 (23.14)	1.915 (48.64)	1.519 (38.58)	1.420 (36.07)	1.024 (26.01)	0.742 (18.85)
12	M17 X 1	1.002 (25.45)	2.067 (52.50)	1.671 (42.44)	1.445 (36.70)	1.049 (26.64)	0.760 (19.30)
14	M19 X 1	1.066 (27.08)	2.067 (52.50)	1.671 (42.44)	1.445 (36.70)	1.049 (26.64)	0.760 (19.30)
16	M22 X 1	1.196 (30.38)	2.130 (54.10)	1.734 (44.04)	1.501 (38.13)	1.105 (28.07)	0.799 (20.29)
18	M25 X 1	1.311 (33.30)	2.235 (56.77)	1.839 (46.71)	1.540 (39.12)	1.144 (29.06)	0.827 (21.01)
20	M28 X 1	1.430 (36.32)	2.298 (58.37)	1.902 (48.31)	1.566 (39.78)	1.170 (29.72)	0.845 (21.46)
22	M31 X 1	1.548 (39.32)	2.359 (59.92)	1.963 (49.86)	1.548 (39.32)	1.152 (29.26)	0.833 (21.16)
24	M34 X 1	1.696 (43.08)	2.380 (60.45)	1.984 (50.39)	1.570 (39.88)	1.174 (29.82)	0.848 (21.54)