

SERIES 804 QDC PUSH-PULL Mighty Mouse Connectors and Cables



Lanyard-Release Crimp Removable Contact Receptacle with Accessory Threads



Series 804 Lanyard-Release Receptacle

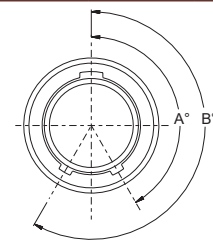
Quick-release lanyard-equipped push/pull receptacles provide unparalleled disengagement performance. Low separation force design provides "quick disconnect" of mated connector receptacle with a simple axial pull on the lanyard. Rear accessory thread allows for addition of connector backshells or adapters. Conductive finishes available

How To Order			
Sample Part Number	804-114	-01	M 6-7 P A 6
Series	804-114 = 804 Push / Pull Receptacle with Lanyard		
Shell Style	-01 = Receptacle with accessory thread		
Shell Material and Finish	C = Aluminum / Black Anodize (Non-Conductive) M = Aluminum / Electroless Nickel MT = Aluminum / Nickel-PTFE NF = Aluminum / Cadmium with Olive Drab Chromate ZN = Aluminum / Zinc-Nickel with Olive Drab Chromate ZNU = Aluminum / Zinc-Nickel with Black Chromate Z1 = Stainless Steel / Passivated		
Shell Size - Insert Arrangement	Available in Shell Sizes 5 thru 14. See Contact Arrangements Page H-6		
Contact Style	Connector supplied with contacts P = Pin, Crimp S = Socket, Crimp	Connector supplied without contacts A = Pin Connector B = Socket Connector	Connector Supplied with 30 AWG Barrel G = Pin, Crimp H = Socket, Crimp
Polarization (See Table I)	Omit = Single Key (non polarized) A = Normal B = Pos. B C = Pos. C D = Pos. D E = Pos. E F = Pos. F		
Lanyard Length	1 = 1 inch; Lanyard Length In Inches \pm .500		

NOTES

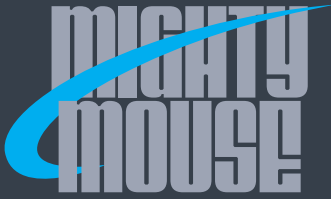
1. Contacts are size 23 crimp type, and are used in a rear release retention system
2. Crimp barrel accommodates 22, 24, 26, 28 and 30 (contact style G and H) gage wire.
3. Crimp tool data:
 - Crimp frame: M22520/2-01
 - Positioner for use with crimp frame: Glenair part number 809-005
 - Insertion/extraction tool: Glenair part number 809-088
4. This connector, plug mates with all push/pull high density receptacle connectors with same polarization and opposite contact gender (804-001, 804-002, 804-113)
5. Red stripe indicator for alignment during mating
6. Connector releases from 0° to 15°, 15° release force will vary

Table I: Keyway Positions



Key Position	Key Rotation	
	A°	B°
A	150°	210°
B	75°	210°
C	95°	230°
D	140°	275°
E	75°	275°
F	95°	210°

SERIES 804 QDC PUSH-PULL

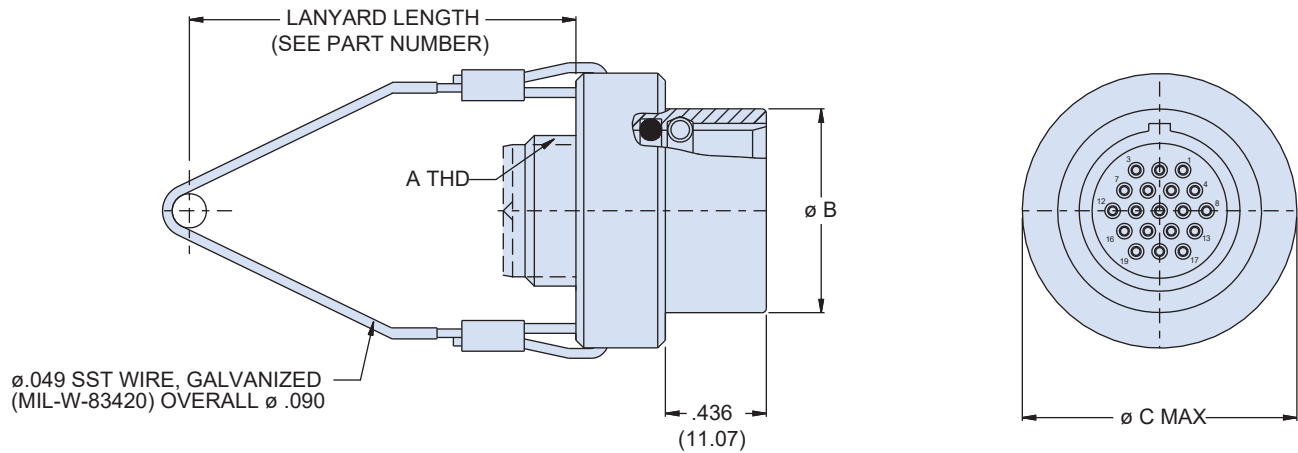


SERIES 804 QDC PUSH-PULL
Mighty Mouse Connectors and Cables



Lanyard-Release Crimp Removable Contact
Receptacle with Accessory Threads

QUICK RELEASE LANYARD RECEPTACLE - SHELL STYLE 01



Dimensions			
Shell Size	A Thread	ø B	ø C MAX
5	.250-32 UNEF	0.450 (11.43)	0.812 (20.62)
6	.3125-32 UNEF	0.480 (12.19)	0.875 (22.23)
7	.4375-28 UNEF	0.580 (14.73)	0.938 (23.83)
8	.500-28 UNEF	0.600 (15.24)	1.000 (25.40)
9	.5265-24 UNEF	0.690 (17.53)	1.062 (26.97)
10	.6250-24 UNEF	0.735 (18.67)	1.125 (28.58)
11	.6875-24 UNEF	0.788 (20.02)	1.188 (30.18)
12	.6875-24 UNEF	0.880 (22.35)	1.250 (31.75)
14	.9375-20 UNEF	0.973 (24.71)	1.375 (34.92)

Material and Finish

- Shell: aluminum alloy or CRES / see how to order table
- Insulator: high grade rigid dielectric / N.A.
- Interfacial seal, grommet seal: fluorosilicone / N.A.
- Contact: copper alloy / gold plate per ASTM B 488, Type II, Code C, Class 1.25, over suitable underplate

SERIES 804 QDC PUSH-PULL