

**Series 801 Hermetic Feed-thru connectors** feature gold plated nickel-iron alloy contacts and compression glass dielectric material. 304L series stainless steel connector shell provides excellent corrosion protection and is suitable for e-beam welding. Fluorosilicone blend, seal and piston o-ring offer improved resistance to harsh chemicals. 100% tested to meet  $1 \times 10^{-7}$  ccHe/sec @ 1 atm helium leak rate. Square flange and rear panel mount jam-nut shell styles available.

How To Order									
Sample Part Number	801-121	-07	Z1	6-7	P	S	A	-01	
Series	801-121 = Hermetic Feed-thru Connector								
Shell Style (See Table I)	-02 = Square Flange Mount -07 = Jam-Nut Rear Panel Mount								
Shell Material and Finish	Z1 = Stainless Steel / Passivated ZL = Stainless Steel / Nickel Plated								
Shell Size - Insert Arrangement	See Contact Arrangements page E-7								
Contact Type	Panel Side: P = Pin S = Socket Opposite Side: P = Pin S = Socket								
Polarization (See Table II)	A = Normal D = Pos. D		B = Pos. B E = Pos. E		C = Pos. C F = Pos. F				
Panel Accommodation	-01, -02, -03, -04; See Table III								

**NOTES**

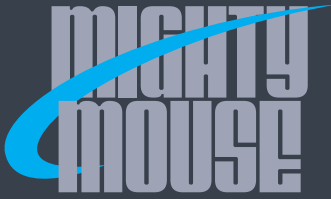
- Performance testing criteria:
  - DWV: per DWV rating table
  - IR: 5000 megohms @ 500 VDC min
  - Hermeticity:  $1 \times 10^{-7}$  ccHe/sec @ 1 atmosphere delta
- For pin-pin or socket-socket feedthru, power applied to one contact will result in power to the contact directly opposite regardless of contact identification.
- This connector mates with all quick-coupling high-density plug connectors having the same size, polarization, and opposite contact gender (801-001, 801-002, 801-007, 801-008)
- Additional finish option available, consult factory
- Overall lengths will increase by approximately .50" for #8 contact arrangements
- Standard arrangements with signal/power contacts only. Consult factory for special contacts (coax, quadax, thermocouples, etc.)
- See page E-11 for panel cut-out dimensions
- Material / finish
  - Shell, jam-nut - 304L CRES / finish per how to order table
  - Contacts, pin: Nickel-iron alloy / gold plate
  - Contacts, sockets: copper alloy / gold plate
  - Hoods, socket: 300 series CRES / Passivate
  - Insulator, hermetic: full glass / N.A.
  - Insulator, sockets: rigid dielectric / N.A.
  - Seals, o-ring: fluorosilicone blend / N.A

Table I: Shell Style	
-02 Square Flange	-07 Rear Panel Mount Jam-Nut

Table II: Keyway Positions		
	A°	B°
Position	A°	B°
A	150°	210°
B	75°	210°
C	95°	230°
D	140°	275°
E	75°	275°
F	95°	210°

Table III: Panel Accommodation			
Code	K Kim, Panel	L Dim, OAL	M Dim, OAL
-01	.125 (3.18)/.062 (1.57)	1.030 (26.16)	1.280 (32.51)
-02	.250 (6.35)/.125 (3.18)	1.155 (29.34)	1.405 (35.69)
-03	.500 (12.70)/.250 (6.35)	1.405 (35.69)	1.655 (42.04)
-04	1.000 (25.40)/.500 (12.70)	1.950 (49.53)	2.175 (55.24)

DWV Rating	
Contact Sizes	Test Voltage
23	750 Vac
20 HD	1000 Vac
16, 12, 8	1800 Vac

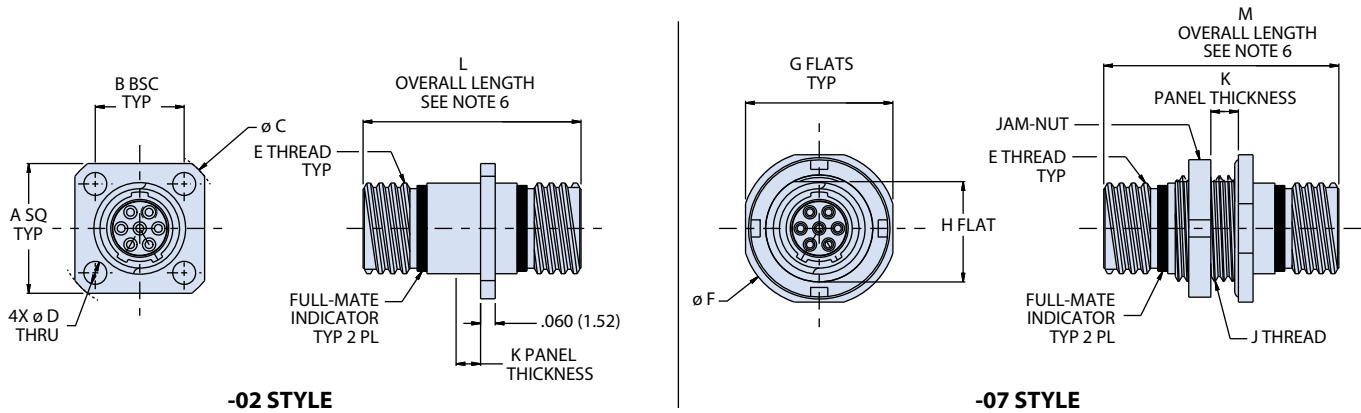


# SERIES 801 DOUBLE-START ACME THREAD Mighty Mouse Connectors and Cables



## Hermetic Bulkhead Feed-thru Connectors Jam-Nut and Square-Flange

### JAM-NUT MOUNT AND SQUARE FLANGE MOUNT BULKHEAD FEED-THRU CONNECTORS



-02 STYLE

-07 STYLE

Dimensions									
Shell Size	A Sq.	B Bsc	Ø C	Ø D Thru Holes	E Thread	Ø F	G Flat	H Flat	J Thread
5	.530 (13.46)	.363 (9.22)	.680 (17.27)	.096 (2.44) .091 (2.31)	.3125-.05P-.1L-2A	.575 (14.60)	.545 (13.84)	.350 (8.89)	.3750-28 UN-2A
6	.590 (14.99)	.423 (10.74)	.750 (19.05)		.3750-.05P-.1L-2A	.635 (16.13)	.595 (15.11)	.410 (10.41)	.4375-28 UNEF-2A
7	.650 (16.51)	.483 (12.27)	.850 (21.59)		.4375-.05P-.1L-2A	.755 (19.18)	.723 (18.36)	.536 (13.61)	.5625-32 UN-2A
8	.712 (18.08)	.545 (13.84)	.938 (23.83)		.5000-.05P-.1L-2A	.755 (19.18)	.723 (18.36)	.536 (13.61)	.5625-32 UN-2A
9	.850 (21.59)	.607 (15.42)	1.125 (28.58)	.130 (3.30) .126 (3.20)	.5625-.05P-.1L-2A	.830 (21.08)	.790 (20.07)	.596 (15.14)	.6250-28 UN-2A
10	.890 (22.61)	.670 (17.02)	1.188 (30.18)		.6250-.1P-.2L-2A	.890 (22.61)	.855 (21.72)	.658 (16.71)	.6875-28 UN-2A
11	.935 (23.75)	.715 (18.16)	1.250 (31.75)		.6250-.1P-.2L-2A	.890 (22.61)	.855 (21.72)	.658 (16.71)	.6875-28 UN-2A
13	1.030 (26.16)	.812 (20.62)	1.375 (34.92)		.8125-.1P-.2L-2A	1.078 (27.38)	1.044 (26.52)	.845 (21.46)	.8750-28 UN-2A
16	1.219 (30.96)	0.981 (24.92)	1.625 (41.28)		1.000-.1P-.2L-2A	1.264 (32.11)	1.230 (31.24)	1.022 (25.96)	1.0625-20 UN-2A
17	1.280 (32.51)	1.060 (26.92)	1.700 (43.18)		1.062-.1P-.2L-2A	1.325 (33.65)	1.290 (32.77)	1.096 (27.84)	1.1250-28 UN-2A
19	1.432 (36.37)	1.191 (30.25)	1.900 (48.26)		1.187-.1P-.2L-2A	1.625 (41.28)	1.415 (35.94)	1.225 (31.12)	1.2500-28 UN-2A
21	1.565 (39.75)	1.322 (33.58)	2.100 (53.34)		1.312-.1P-.2L-2A	1.625 (41.28)	1.577 (40.06)	1.346 (34.19)	1.3750-28 UN-2A

SERIES 801 DOUBLE-START MATING