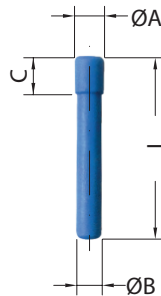


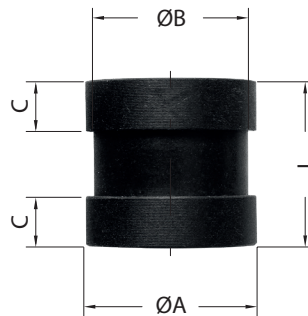
Wire hole sealing plug (contact insert)

WIRE HOLE PLUG FOR CONTACT INSERTS

Part Number	Contact Size	ØA	ØB	C	L	Color
D-10-305045-16	16S - 16	2.6	2.2	3.2	15.7	Blue
D-10-101033-13	12	4.6	3.7	3.2	11.9	Yellow
D-10-305045-8	8	7.6	6.4	3.1	11.8	White
D-10-305045-4	4	10.9	9.7	3.1	11.8	Green
D-10-305045-0	0	15.0	13.5	4.3	14.3	Black



D-10-305045-16



D-10-101033-13
D-10-305045-XX

NOTES

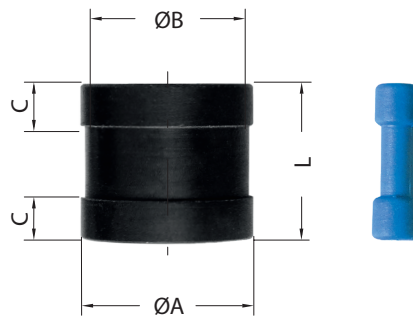
Contact Hole Plug - Insert Version.

Used to fill an insert cavity in order to maintain the environmental seal when a cavity is without contact.

Wire hole sealing plug (sealing grommet)

WIRE HOLE PLUG FOR WIRE SEALING GROMMETS

Part Number	Contact Size	ØA	ØB	C	L	Color
D-10-101033-12	16S - 16	3.7	2.8	3.2	11.9	Blu / Blue
D-10-101033-13	12	4.6	3.7	3.2	11.9	Giallo / Yellow
D-10-101033-14	8	5.8	5.0	3.2	11.9	Bianco / White
D-10-101033-15	4	8.5	7.6	3.2	11.9	Verde / Green
D-10-101033-16	0	13.5	12.8	3.2	11.9	Nero / Black



D-10-101033-XX

NOTES

Contact Hole Plug - Grommet Version.

Used to fill a grommet cavity in order to maintain the environmental seal when a cavity is without contact.