

ITH 06 A and ITH 06 R Straight Plug with Accessory Backshell and a Selection of Cable Clamps

ITH G 06 A 28-21 P Y XXX

ITH = Plastic Insert and Standard
Contacts (See Notes #4, 6)

Grounding Fingers
(Omit for Standard)

06 = Straight Plug

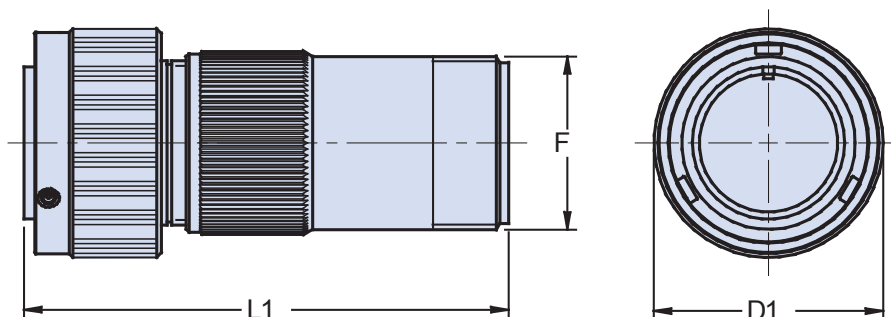
Environmental Class
A - Non-Environmental
R - Environmental

Mod Code Option (See Table II)

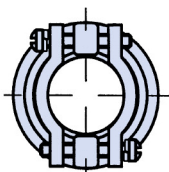
Alternate Insert Rotation (W, X, Y, Z)
Omit for Normal (See Page 6)

Contact Gender
P - Pin
S - Socket

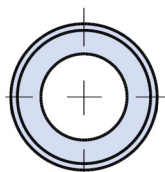
Shell Size and Insert Arrangement
(See Page 7)



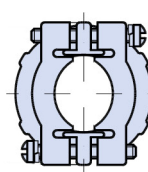
Order Cable Clamps and
Sleeves Separately or Use
Mod Codes (Table II) to Add
Clamp to This Assembly.



**IT 3057 C
Cable Clamp**



**IT 3420
Neoprene Sleeve**



**IT 3057 A
Cable Clamp**

Application Notes:

1. Straight plug connector with backshell for use with strain-relief cable clamps.
2. Environmental class A (non-environmental) not supplied with grommet; Class R (environmental) supplied with grommet.
3. Standard shell materials configuration consists of aluminum alloy with cadmium free conductive plating and black passivation.
4. Standard contact material consists of copper alloy with gold plating.
5. A broad range of other front and rear connector accessories are available. See our website and/or contact the factory for complete information.
6. Standard insert material is Low fire hazard plastic UL94V0 and NFF16-102.

**ITH 06 A and ITH 06 R
Sraight Plug with Accessory Backshell
and a Selection of Cable Clamps**



TABLE I: DIMENSIONS

Shell size	D1 ±0.2	F thread	L1 Max.
18	36.2	1.0000 - 20UNEF	89.0
20	39.8	1.1875 - 18UNEF	89.0
22	43.0	1.1875 - 18UNEF	89.0
24	46.4	1.4375 - 18UNEF	89.0
28	53.0	1.4375 - 18UNEF	93.0
32	60.0	1.7500 - 18UNS	93.0
36	66.2	2.0000 - 18UNS	105.0
40	72.3	2.2500 - 16UN	105.0

TABLE II: MODIFICATION CODES

CONTACT OPTIONS		ACCESSORY OPTIONS	
Sym	Description		
B0	Connector less contacts	N0	Connector less backshell
Omit for standard version (Gold Plated Copper Alloy Contacts Supplied)		N1	Connector with IT 3057 A cable clamp
		N5	Connector with IT 3057 C cable clamp
Omit for standard version (Cad free / black passivation Finish)		N12	Connector with IT 3057 A cable clamp and IT 3420 neoprene sleeve
		Omit for standard version	
FINISH OPTIONS			
Sym	Description		
F2	Bright Nickel Plating		
F6	Black Electrodeposited Paint		
F8	Olive Drab Zn-Co Plating		