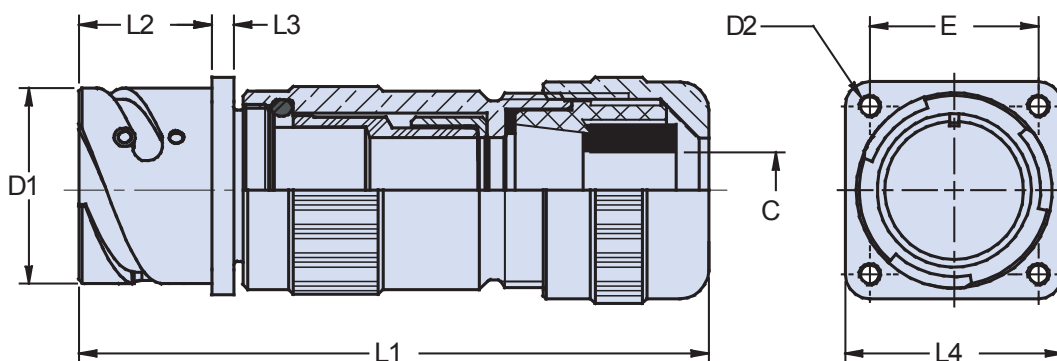
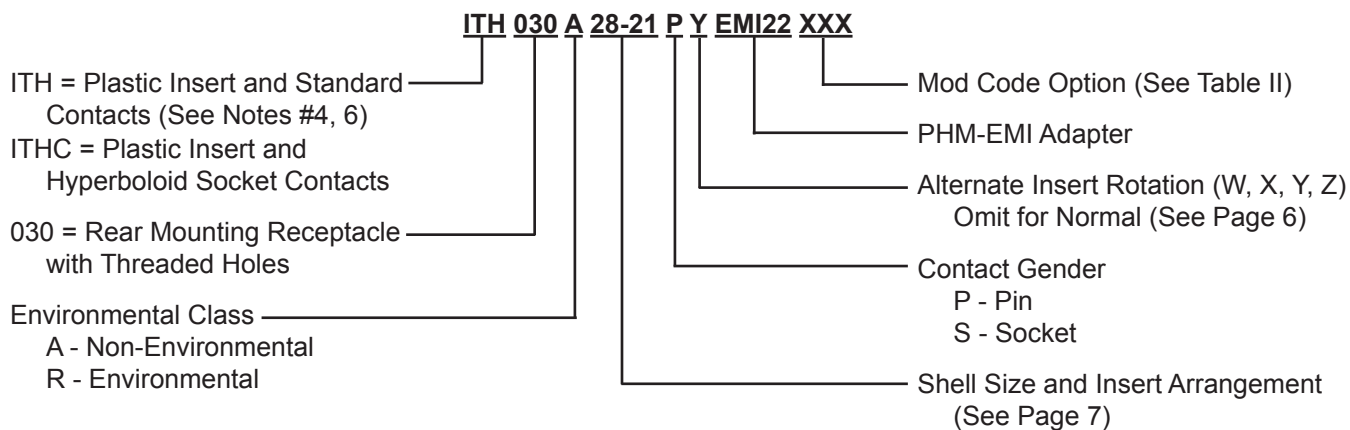


ITH 030 (EMI) and ITHC 030 (EMI) Rear Box Mount Receptacle with Backshell for EMI Shielded and Jacketed Cable



Application Notes:

1. Box mount receptacle connector with square flange for rear panel mounting and backshell to be used with shielded jacket cables. Threaded mounting holes.
2. Environmental class A (non-environmental) not supplied with grommet; Class R (environmental) supplied with grommet.
3. Standard shell materials configuration consists of aluminum alloy with cadmium conductive plating and black passivation.
4. Contact material consists of copper alloy with gold plating.
5. A broad range of other front and rear connector accessories are available. See our website and/or contact the factory for complete information.
6. Standard insert material is Low fire hazard plastic UL94V0 and NFF16-102.

**ITH 030 (EMI) and ITHC 030 (EMI)
Rear Box Mount Receptacle
with Backshell for EMI Shielded and Jacketed Cable**



TABLE I: DIMENSIONS

Shell size	EMI size	C		D1 +0 -0.15	D2 thread	E ±0.1	L1 Max	L2 +0.4 -0	L3 ±0.2	L4 ±0.3
		Min	Max							
18	18	2.0	16.5	30.8	M4	27.0	85.0	23.05	4.0	35.0
20	18	2.0	16.5	34.2	M4	29.4	85.0	23.05	4.0	38.0
22	18	2.0	16.5	37.4	M4	31.8	85.0	23.05	4.0	41.0
24	18	2.0	16.5	40.9	M4	34.9	90.0	23.05	4.0	44.5
28	22	15.0	20.0	46.7	M5	39.7	90.0	24.05	4.0	50.8
	24	19.0	24.0							
32	22	15.0	20.0	53.4	M5	44.5	100.0	24.05	4.0	57.0
	24	19.0	24.0							
36	35	23.0	35.0	59.6	M5	49.2	110.0	24.05	4.0	63.5
40	35	23.0	35.0	65.5	M5	55.5	110.0	24.05	4.0	69.9

TABLE II: MODIFICATION CODES

CONTACT OPTIONS	
Sym	Description
B0	Connector less contacts
Omit for standard version (Gold Plated Copper Alloy Contacts Supplied)	
FINISH OPTIONS	
Sym	Description
F2	Bright Nickel Plating
F6	Black Electrodeposited Paint
F8	Olive Drab Zn-Co Plating
Omit for standard version (Cad free / black passivation Finish)	