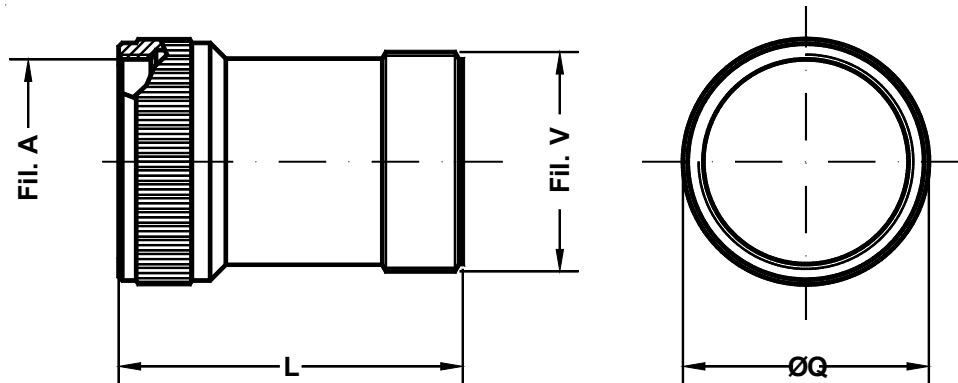


**Custodia lunga per connettori volanti**  
*Long backshell for plug connectors*

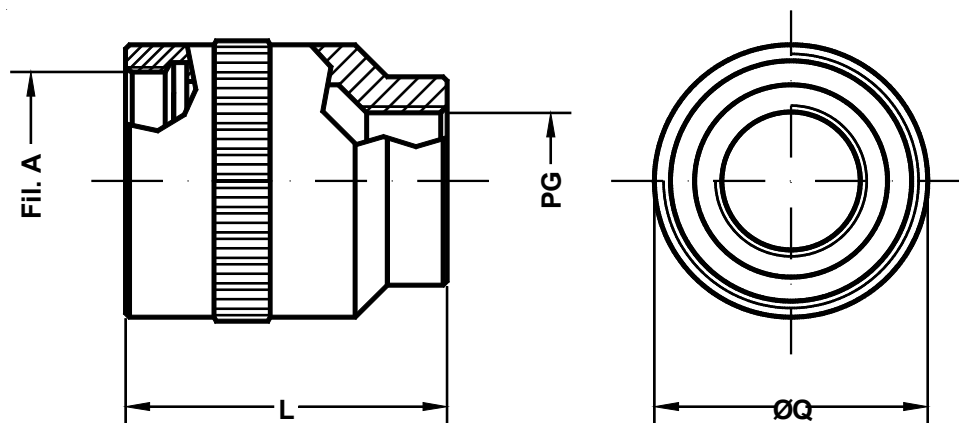


Dimensione Guscio <i>Shell Size</i>	Filetto A <i>A thread</i>	L Max.	Q ±0.2	Filetto V <i>V thread</i>
10 SL	0.6250 - 24UNEF	50.0	20.0	0.6250 - 24UNEF
12 S - 12	0.6250 - 24UNEF	50.0	20.0	0.6250 - 24UNEF
14 S - 14	0.7500 - 20UNEF	50.0	23.0	0.7500 - 20UNEF
16 S	0.8750 - 20UNEF	50.0	25.0	0.8750 - 20UNEF
16	0.8750 - 20UNEF	54.0	25.0	0.8750 - 20UNEF
18	1.0000 - 20UNEF	56.0	29.5	1.0000 - 20UNEF
20	1.1250 - 18UNEF	56.0	32.0	1.1875 - 18UNEF
22	1.2500 - 18UNEF	56.0	35.0	1.1875 - 18UNEF
24	1.3750 - 18UNEF	56.0	38.5	1.4375 - 18UNEF
28	1.6250 - 18UNEF	61.0	45.0	1.4375 - 18UNEF
32	1.8750 - 16UN	61.0	53.2	1.7500 - 18UNS
36	2.0625 - 16UN	61.0	57.4	2.0000 - 18UNS
40	2.3125 - 16UN	61.0	63.2	2.2500 - 16UN

Viene utilizzata in sostituzione della custodia standard onde agevolare il cablaggio.

*This backshell is used instead of the standard one in order to make the wiring easier.*

## Raccordo PG PG adaptor



Dimensione Guscio Shell Size	Filetto A A thread	L Max.	Q Max.	Filetto PG PG thread
10 SL	0.6250 - 24UNEF	30.0	22.5	7 / 9 / 11
12 S - 12	0.6250 - 24UNEF	30.0	22.5	7 / 9 / 11
14 S - 14	0.7500 - 20UNEF	32.0	23.5	9 / 11 / 13.5
16 S	0.8750 - 20UNEF	32.0	25.5	11 / 13.5 / 16
16	0.8750 - 20UNEF	32.0	25.5	11 / 13.5 / 16
18	1.0000 - 20UNEF	40.0	30.5	13.5 / 16 / 21
20	1.1250 - 18UNEF	42.0	35.5	13.5 / 16 / 21
22	1.2500 - 18UNEF	42.0	35.5	13.5 / 16 / 21
24	1.3750 - 18UNEF	42.0	40.5	16 / 21 / 29
28	1.6250 - 18UNEF	47.0	45.5	16 / 21 / 29
32	1.8750 - 16UN	52.0	52.5	16 / 21 / 29
36	2.0625 - 16UN	57.0	60.0	21 / 29 / 36
40	2.3125 - 16UN	62.0	63.5	21 / 29 / 36

Raccordo per serracavo PG per connettori  
diritti in classe A.

Adaptor for PG cable gland for use with class  
A straight plugs.