

SERIES 928 • QUARTER-TURN • BAYONET Connectors for HMI Lighting



928-003 Panel Receptacle, Rear Mount



Features

- ¼ turn bayonet lock for secure attachment
- Intermateable, interchangeable with "VEAM" type connectors
- Machined contacts
- Durable polymer electrocoat finish
- UL #E328968 recognized
- IP67 ingress protection

Specifications

- Operating temperature: -55°C. to +125°C.
- Suggested maximum operating voltage: 500 Vac
- Current rating: size #4 contact 80 A, size #8 46 A, size #12 23 A, size #16 13 A
- Meets mechanical, electrical and environmental requirements of MIL-DTL-5015 and VG95234

Connector Construction

- Shell: aluminum with black polymer electrocoat
- Contacts: copper alloy, silver or gold plating
- Insert: neoprene

928-003 female panel connectors are compatible with standard "VEAM" type quarter-turn bayonet connectors used on HMI lighting ballasts and heads. These UL-recognized connectors fit standard cutouts. Connector mounting flange installs on the inside (rear) of the panel. Mounting holes have metric threads. Aluminum shell, neoprene inserts, machined copper alloy contacts with gold or silver plating. 125°C. temperature rating, 500Vac, 13 A to 80 A current rating depending on contact size. Crimp or solder termination.

How To Order						
	928-003-	28-22	P	S	1	A
Product	928-003 = Panel Receptacle, rear mounting					
Arrangement Number	14S-07 24-2 24-2W 24-2Z 24-11 28-09 28-10 28-22 32-68					
Contact Type	P = Pin contacts (male) S = Socket contacts (female)					
Contact Termination Style	S = Solder (installed) C = Crimp (uninstalled)					
Contact Finish	1 = Silver (standard) 2 = Gold (optional)					
Shell Finish	A = Black polymer electrocoat					

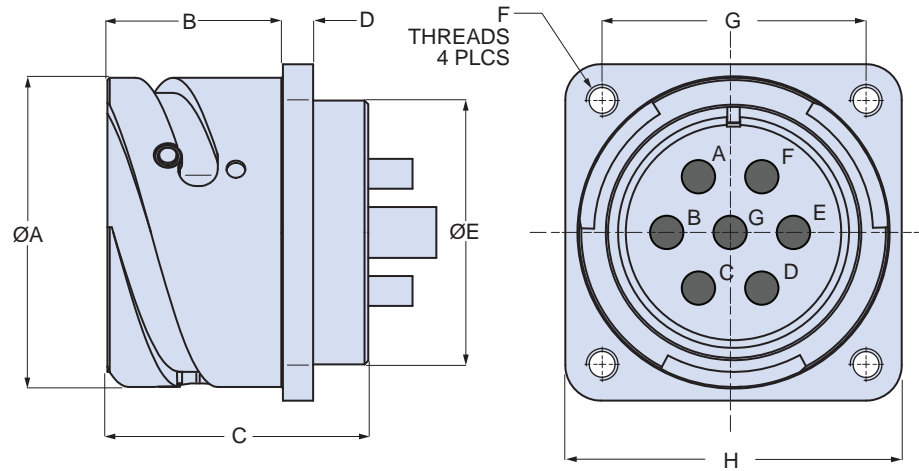
Arrangement Number				
14S-07 7 #16 Contacts	24-2 7 #12 Contacts	24-2W 7 #12 Contacts <i>Insert rotated 80°</i>	24-2Z 7 #12 Contacts <i>Insert rotated 280°</i>	24-11 6 #12 Contacts 3 #8 Contacts
28-09 5 #16 Contacts 4 #4 Contacts	28-10 3 #12 Contacts 2 #8 Contacts 2 #4 Contacts	28-22 3 #16 Contacts 3 #4 Contacts	32-68 12 #16 Contacts 4 #4 Contacts	

SERIES 928 • QUARTER-TURN • BAYONET Connectors for HMI Lighting



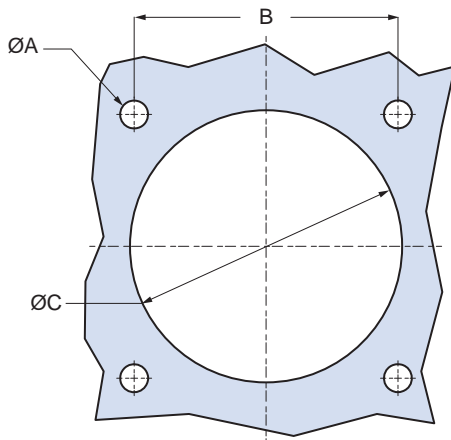
928-003 Panel Receptacle, Rear Mount

DIMENSIONS



Arrangement No.	ØA Max.		B Max.		C		D		ØE		F	G		H Max.	
	In.	mm.	In.	mm.	In.	mm.	In.	mm.	In.	mm.		In.	mm.	In.	mm.
14S-07	.96	24.5	.74	18.7	.97	24.7	.13	3.5	.76	19.2	M4	.91	23.1	1.20	30.6
24-2	1.61	40.9	.92	23.4	1.36	34.5	.16	4.2	1.39	35.3	M4	1.38	35.0	1.76	44.7
24-2W	1.61	40.9	.92	23.4	1.36	34.5	.16	4.2	1.39	35.3	M4	1.38	35.0	1.76	44.7
24-2Z	1.61	40.9	.92	23.4	1.36	34.5	.16	4.2	1.39	35.3	M4	1.38	35.0	1.76	44.7
24-11	1.61	40.9	.92	23.4	1.36	34.5	.16	4.2	1.39	35.3	M4	1.38	35.0	1.76	44.7
28-09	1.84	46.7	.97	24.5	1.36	34.5	.16	4.2	1.63	41.4	M5	1.57	39.8	2.01	51.1
28-10	1.84	46.7	.97	24.5	1.36	34.5	.16	4.2	1.63	41.4	M5	1.57	39.8	2.01	51.1
28-22	1.84	46.7	.97	24.5	1.36	34.5	.16	4.2	1.63	41.4	M5	1.57	39.8	2.01	51.1
32-68	2.10	53.4	.96	24.4	1.33	33.8	.16	4.2	1.88	47.8	M5	1.76	44.6	2.25	57.2

PANEL CUTOUT



Arrangement No.	ØA		B		ØC	
	In.	mm.	In.	mm.	In.	mm.
14S-07	.18	4.5	.91	23.1	.79	20.0
24-2	.18	4.5	1.38	35.0	1.65	41.8
24-2W	.18	4.5	1.38	35.0	1.65	41.8
24-2Z	.18	4.5	1.38	35.0	1.65	41.8
24-11	.18	4.5	1.38	35.0	1.65	41.8
28-09	.22	5.5	1.57	39.8	1.87	47.6
28-10	.22	5.5	1.57	39.8	1.87	47.6
28-22	.22	5.5	1.57	39.8	1.87	47.6
32-68	.22	5.5	1.76	44.6	2.14	54.3