



SERIES 80

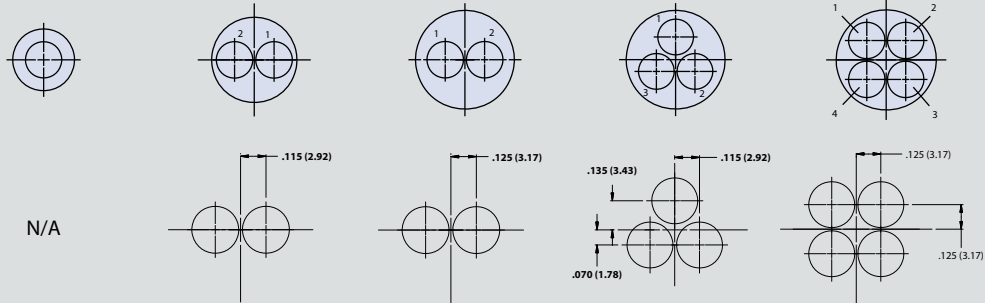
Mighty Mouse Connectors and Cables



Size 45 Standard Contact Layouts and PCB Footprints

Size 12 Contact Specifications				Contact Arrangement					
Quantity	Max Current Rating (Amps)	AWG Accepted	Vac DWV	Series 800	Series 801	Series 802	Series 803	Series 804	Series 805
1	17	#12-#14	1800	7-1	7-1	7-1	7-1	7-1	9-1
2	17	#12-#14	1800	10-2	10-2	10-2	10-2	10-2	12-2
2	17	#12-#14	1800	12-2	13-2	12-2	12-2	12-2	15-2
3	17	#12-#14	1800	12-3	13-3	12-3	12-3	12-3	15-3
4	17	#12-#14	1800	N/A	16-4	14-4	14-4	14-4	18-4
5	17	#12-#14	1800	N/A	16-5	14-5	14-5	14-5	18-5
7	17	#12-#14	1800	N/A	17-7	15-7	N/A	N/A	19-7
12	17	#12-#14	1800	N/A	21-12	21-12	N/A	N/A	23-12

Inert Arrangement
Mating Face View of Pin Contacts



PCB Footprint

N/A

Series 800, 802, 803, 804	7-1	10-2	12-2	12-3	14-4 ¹
Series 801	7-1	10-2	13-2	13-3	16-4
Series 805	9-1	12-2	15-2	15-3	18-4
Contact Size	12	12	12	12	12
No. of Contacts	1	2	2	3	4
DWV Voltage (VAC)	1800	1800	1800	1800	1800
Current Rating (Amps)	17	17	17	17	17

1. Not available for Series 800