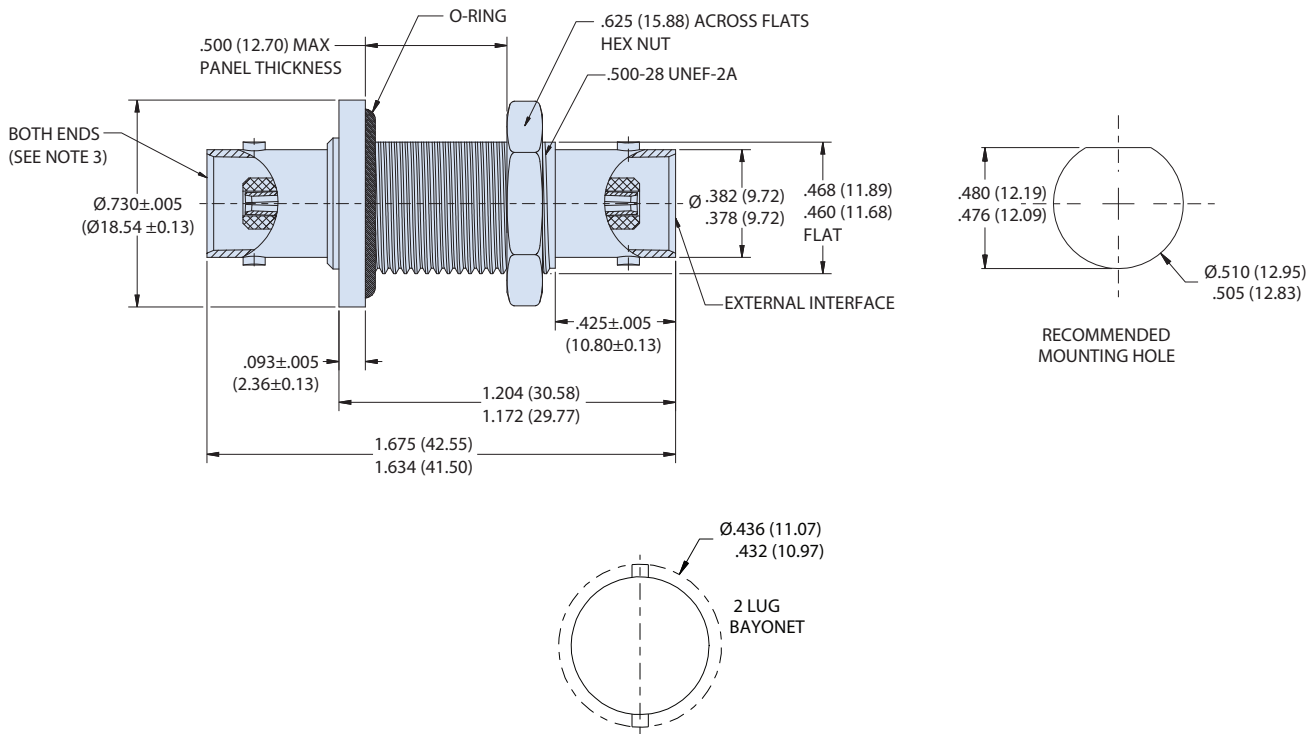
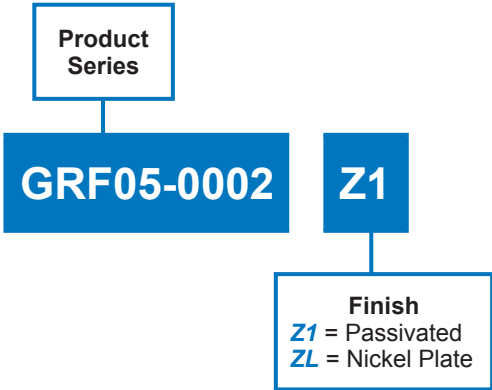


GRF05-0002
50 Ohm BNC Series Socket Connector
Hermetic • Bulkhead Feedthrough



N

APPLICATION NOTES

- Connector interface is IAW MIL-STD-348, series BNC, socket contact, 2-lug bayonet coupling
- Specifications
 - Frequency range: DC to 4 Ghz
 - Insertion loss: -.157 dB min
 - VSWR: 1.25 max
 - Hermeticity: $<1 \times 10^{-7}$ cc/sec of helium at one atmosphere Delta P
 - Insulation resistance: greater than 5000 MegOhms
 - DWV: 1500 VAC between center contact and outer body
- Material/Finish
 - Operating temperature: -65°C to 165°C
 - Body, jam nut: cres/see part number development
 - Center pin contact (glass sealed section): kovar/gold plated
 - center socket contact (mating ends): copper alloy/gold plated
 - insulator: fused vitreous glass/N.A. PTFE/N.A.

Dimensions in Inches (millimeters) are subject to change without notice.

© 2013 Glenair, Inc. U.S. CAGE Code 06324 Printed in U.S.A.

GLENAIR, INC. • 1211 AIR WAY • GLENDALE, CA 91201-2497 • 818-247-6000 • FAX 818-500-9912
www.glenair.com **N-5** **E-Mail: sales@glenair.com**

Rev. 06.13.22