

Series 970 Hermetic Feed-Thru Bulkhead

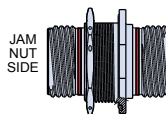


Series 970 PowerTrip™ hermetic feed-thru bulkhead receptacles have pin contacts on one side and socket contacts on the other side. Attach mating plug connectors to both sides. Compression glass hermetic seal. 100% tested to meet helium leak rate of 1×10^{-7} cc/second at 15 psi pressure differential. Pin contact end is iron alloy, socket end is copper alloy with beryllium copper louverband spring. Coupling threads are triple-start ACME type. Contacts are factory-installed and are non-removable. Standard contacts are silver plated, or choose gold-plated contacts for improved corrosion protection in space or petrochemical environments. Fluorosilicone O-ring and face seal provide water resistant sealing. Jam nut rear panel mounting, for panel thicknesses from 1/16 -inch (1.58mm) to 1/2 inch (12.7mm). 200 PSI maximum pressure rating, bi-directional.

HOW TO ORDER

Sample Part Number

970-007	Z1	24-5	P	1	-1																																																																																																																																			
Series	Shell Material and Finish	Shell Size - Insert Arrangement	Contact Type	Contact Plating	Key Position																																																																																																																																			
970-007 Series 970 Feed-Thru Bulkhead Receptacle, Jam Nut Mounting	Stainless Steel Shell Z1 Passivated SST ZL Electrodeposited Nickel over SST	<table border="1"> <thead> <tr> <th rowspan="2">Contact Arr.</th> <th colspan="5">Contact Size and Qty</th> </tr> <tr> <th>#16</th> <th>#12</th> <th>#8</th> <th>#4</th> <th>#1/0</th> </tr> </thead> <tbody> <tr><td>18-2</td><td></td><td></td><td>2</td><td></td><td></td></tr> <tr><td>18-4</td><td></td><td>2</td><td>2</td><td></td><td></td></tr> <tr><td>20-3</td><td></td><td></td><td>3</td><td></td><td></td></tr> <tr><td>20-5</td><td></td><td>2</td><td>3</td><td></td><td></td></tr> <tr><td>20-7</td><td>4</td><td></td><td>3</td><td></td><td></td></tr> <tr><td>20-4</td><td></td><td></td><td>4</td><td></td><td></td></tr> <tr><td>24-5</td><td></td><td></td><td>5</td><td></td><td></td></tr> <tr><td>24-2</td><td></td><td></td><td></td><td>2</td><td></td></tr> <tr><td>24-6</td><td></td><td>4</td><td></td><td>2</td><td></td></tr> <tr><td>24-3</td><td></td><td></td><td></td><td>3</td><td></td></tr> <tr><td>24-A6</td><td></td><td>3</td><td></td><td>3</td><td></td></tr> <tr><td>28-4</td><td></td><td></td><td></td><td>4</td><td></td></tr> <tr><td>28-9</td><td>5</td><td></td><td></td><td>4</td><td></td></tr> <tr><td>32-5</td><td></td><td></td><td></td><td>5</td><td></td></tr> <tr><td>32-2</td><td></td><td></td><td></td><td></td><td>2</td></tr> <tr><td>32-4</td><td></td><td></td><td></td><td></td><td>2</td></tr> <tr><td>32-3</td><td></td><td></td><td></td><td></td><td>3</td></tr> <tr><td>32-6</td><td></td><td>3</td><td></td><td></td><td>3</td></tr> <tr><td>36-4</td><td></td><td></td><td></td><td></td><td>4</td></tr> <tr><td>40-5</td><td></td><td></td><td></td><td></td><td>5</td></tr> </tbody> </table>	Contact Arr.	Contact Size and Qty					#16	#12	#8	#4	#1/0	18-2			2			18-4		2	2			20-3			3			20-5		2	3			20-7	4		3			20-4			4			24-5			5			24-2				2		24-6		4		2		24-3				3		24-A6		3		3		28-4				4		28-9	5			4		32-5				5		32-2					2	32-4					2	32-3					3	32-6		3			3	36-4					4	40-5					5	P Pin Contacts on Jam Nut Side S Socket Contacts on Jam Nut Side PP Pins on Both Sides SS* Sockets on Both Sides *Indicated dimensions will increase by .600"	1 Silver Plated Contacts (Size 8, 4, 0 only) 2 Gold Plated Contacts	-1 Position 1 -2 Position 2 -3 Position 3 -4 Position 4 -5 Position 5 -6 Position 6
		Contact Arr.		Contact Size and Qty																																																																																																																																				
			#16	#12	#8	#4	#1/0																																																																																																																																	
		18-2			2																																																																																																																																			
		18-4		2	2																																																																																																																																			
		20-3			3																																																																																																																																			
		20-5		2	3																																																																																																																																			
		20-7	4		3																																																																																																																																			
		20-4			4																																																																																																																																			
		24-5			5																																																																																																																																			
		24-2				2																																																																																																																																		
		24-6		4		2																																																																																																																																		
		24-3				3																																																																																																																																		
		24-A6		3		3																																																																																																																																		
		28-4				4																																																																																																																																		
		28-9	5			4																																																																																																																																		
		32-5				5																																																																																																																																		
32-2					2																																																																																																																																			
32-4					2																																																																																																																																			
32-3					3																																																																																																																																			
32-6		3			3																																																																																																																																			
36-4					4																																																																																																																																			
40-5					5																																																																																																																																			

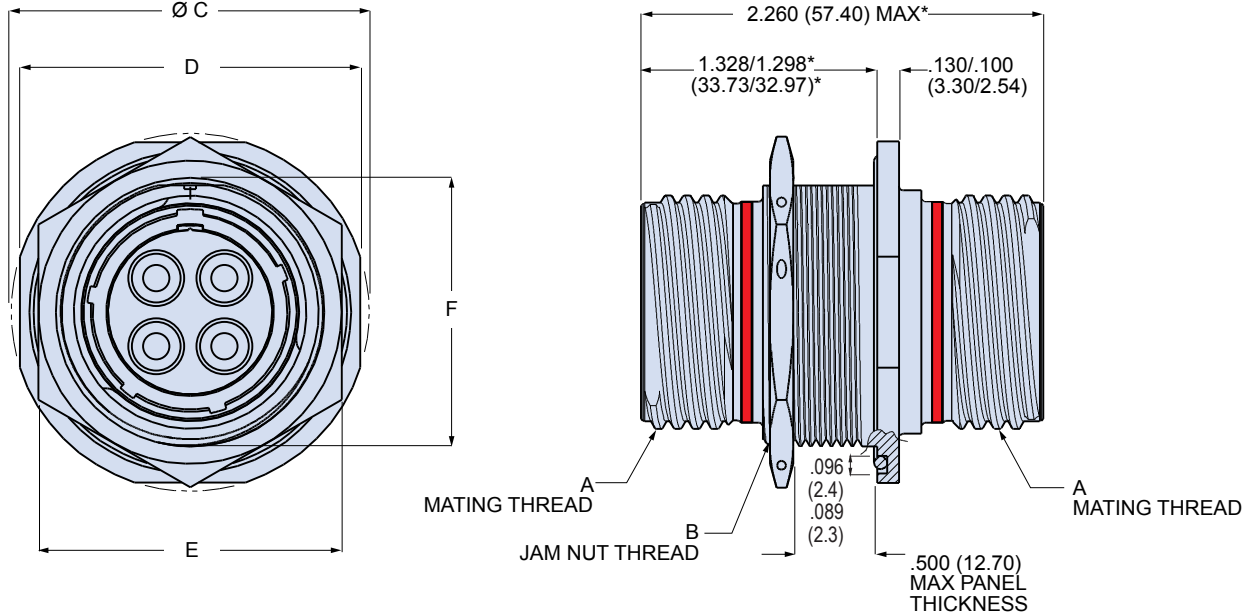


970-007
PowerTrip™ Hermetic Bulkhead Feedthrough
Receptacle with Jam Nut Mounting
Dimensions



Series 970
 PowerTrip™

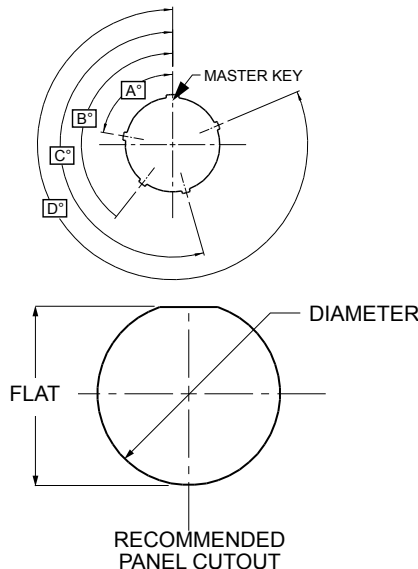
970-007 Feed-Thru Receptacle Connector Dimensions



DIMENSIONS										
Shell Size	A Mating Thd.	B Jam Nut Thd.	Ø C		D		E		F	
			In.	mm.	In.	mm.	In.	mm.	In.	mm.
18	1.125-.1P-.3L-TS-2A	1.250-18 UNEF-2A	1.733	44.02	1.639	41.63	1.438	36.53	1.212	31.06
20	1.250-.1P-.3L-TS-2A	1.4375-18 UNEF-2A	1.921	48.79	1.827	46.41	1.625	41.28	1.399	35.81
24	1.500-.1P-.3L-TS-2A	1.625-18 UNEF-2A	2.108	53.54	2.014	51.16	1.822	46.28	1.587	43.76
28	1.750-.1P-.3L-TS-2A	1.9375-16 UN-2A	2.425	61.60	2.327	59.11	2.188	55.58	1.899	48.51
32	2.000-.1P-.3L-TS-2A	2.125-16 UN-2A	2.607	66.24	2.513	63.86	2.375	60.33	2.084	53.00
36	2.250-.1P-.3L-TS-2A	2.375-16 UN-2A	2.857	72.57	2.763	70.18	2.625	66.68	2.323	59.00
40	2.500-.1P-.3L-TS-2A	2.875-16 UN-2A	3.107	78.92	3.013	76.53	2.875	73.03	2.548	64.72

M

KEY POSITIONS				
Position	A°	B°	C°	D°
1	80	142	196	293
2	135	170	200	310
3	49	169	200	244
4	66	140	200	257
5	62	145	180	280
6	79	153	197	272



Shell Size	PANEL CUTOUT			
	Diameter		Flat	
	In.	mm.	In.	mm.
	-.000 +.010	-.00 +.25	-.000 +.010	-.00 +.25
18	1.254	31.85	1.217	30.91
20	1.441	36.60	1.404	35.66
24	1.629	41.38	1.592	40.64
28	1.941	49.30	1.904	48.36
32	2.129	54.08	2.092	53.14
36	2.379	60.43	2.328	59.13
40	2.629	66.78	2.553	64.85