

790-091 Rear-Panel Mount Hermetic Receptacles, Pin Face With Solder Cups

HOW TO ORDER						
Sample Part Number	790-091	H	D	7P2	C	N
Basic Part Number	790-091 Rear-Panel Mount Hermetic Receptacles, Pin Face With Solder Cups					
Class	H = Hermetic					
Shell Size	A, B, C, D, E, F, J, K, G, H, L and M					
Arrangement	Refer to 799-009 for Insert Arr. (No "W" Option for Hermetic)					
Contact Type	C = Pin, P.C. Tail			P = Pin, Solder Cup		
Mating Hardware Option	N = No Mating Hardware		G = Male Guide Pins		S = Female Guide Sockets	
	P = Jackpost					

MATERIAL AND FINISH

- Shell - Kovar Alloy / Nickel Plate
- Contacts - Kovar Alloy / Gold Plate
- Insulator - Vitreous Glass
- Seals - Fluorosilicone Blend
- Mating Hardware - CRES / Passivated

NOTES

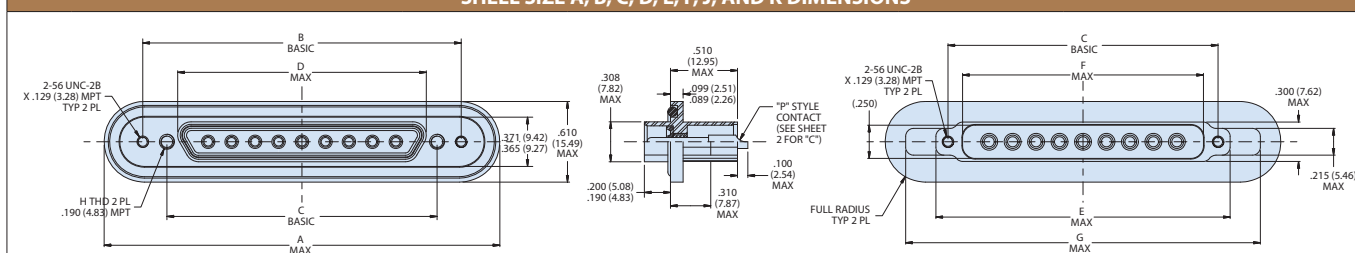
Test Criteria:

- Hermeticity - $<1 \times 10^{-7}$ scche/sec @ 1 atm. Delta
- D.W.V.
 - #23 Pins: 500 VAC pin-to-shell
 - #16 Pins: 1800 VAC pin-to-shell
 - #12 Pins: 1800 VAC pin-to-shell
 - # 8 Pins: 1800 VAC pin-to-shell
 - I.R. - 5,000 Megohms minimum @ 500 VDC
- Glenair 790-091 will mate with any Series 79 plug with socket contacts and same shell and insert
- Glenair 790-091 is designed to utilize 799-016 EMI backshells.

Mounting Hardware

<p>P Jackpost</p>	Connector supplied with non-removable jackpost. Shell size "M" has 6-32 UNC-2B thread. Shell sizes "H" and "L" have 4-40 UNC-2B thread. All other sizes have 2-56 UNC-2B thread.
<p>G Guide Pin</p>	Connector supplied with non-removable guide pins for blind mate applications. Mates with option "S" guide socket on corresponding plug connector.
<p>S Guide Socket</p>	Connector supplied with non-removable guide sockets for blind mate applications. Mates with option "G" guide pin on corresponding plug connector.

SHELL SIZE A, B, C, D, E, F, J, AND K DIMENSIONS



Shell Sizes	A Oal	B Basic	C Basic	D Max	E Max	F Max	G Max	H Typ Unc 2-B
A	1.490 (37.85)	0.925 (23.50)	0.565 (14.35)	0.401 (10.19)	0.760 (19.30)	.350 (8.89)	1.215 (30.86)	#4-40
B	1.680 (42.67)	1.075 (27.30)	0.715 (18.16)	0.551 (14.00)	0.910 (23.11)	.500 (12.70)	1.365 (34.67)	
C	1.785 (45.34)	1.225 (31.12)	0.865 (21.97)	0.701 (17.81)	1.060 (26.92)	.650 (16.51)	1.515 (38.48)	
D	1.975 (50.17)	1.325 (33.65)	0.965 (24.51)	0.801 (20.35)	1.160 (29.46)	.750 (19.05)	1.615 (41.02)	
E	2.075 (52.71)	1.475 (37.47)	1.115 (28.32)	0.951 (24.16)	1.310 (33.27)	.900 (22.86)	1.765 (44.83)	
F	2.175 (55.24)	1.625 (41.28)	1.265 (32.13)	1.101 (27.97)	1.460 (37.08)	1.050 (26.67)	1.915 (48.64)	
J	2.665 (67.69)	1.975 (50.17)	1.615 (41.02)	1.460 (37.08)	1.810 (45.97)	1.405 (35.69)	2.265 (57.53)	
K	2.960 (75.18)	2.375 (60.33)	2.015 (51.18)	1.860 (47.24)	2.210 (56.13)	1.805 (45.85)	2.665 (67.69)	

790-091 Rear-Panel Mount Hermetic Receptacles, Pin Face With Solder Cups

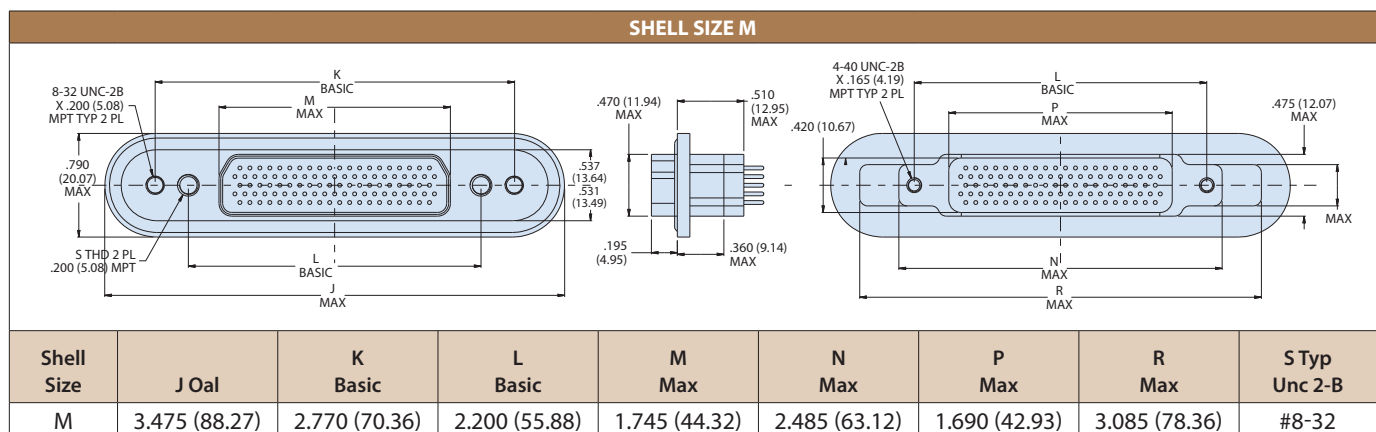
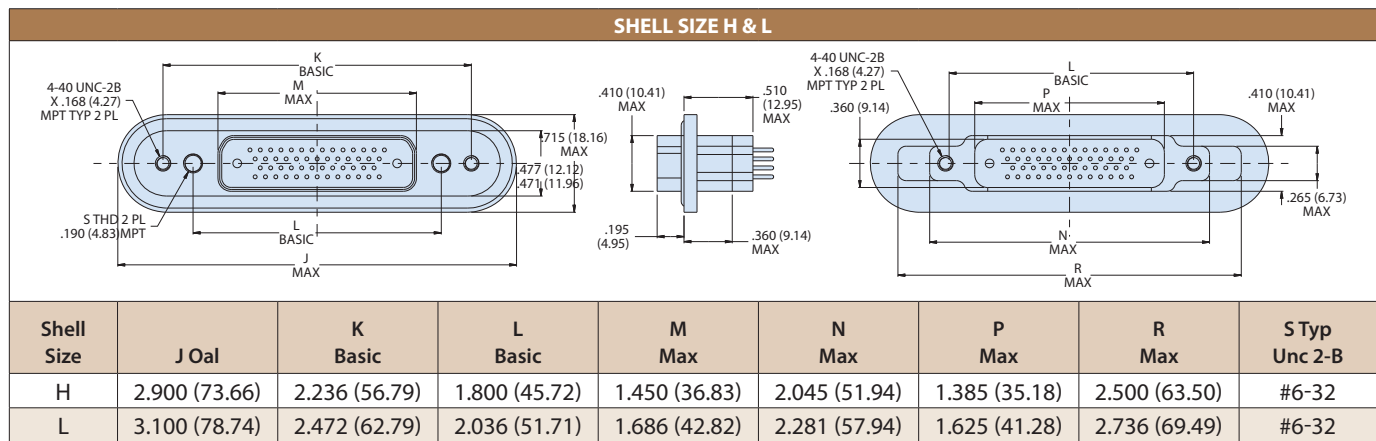
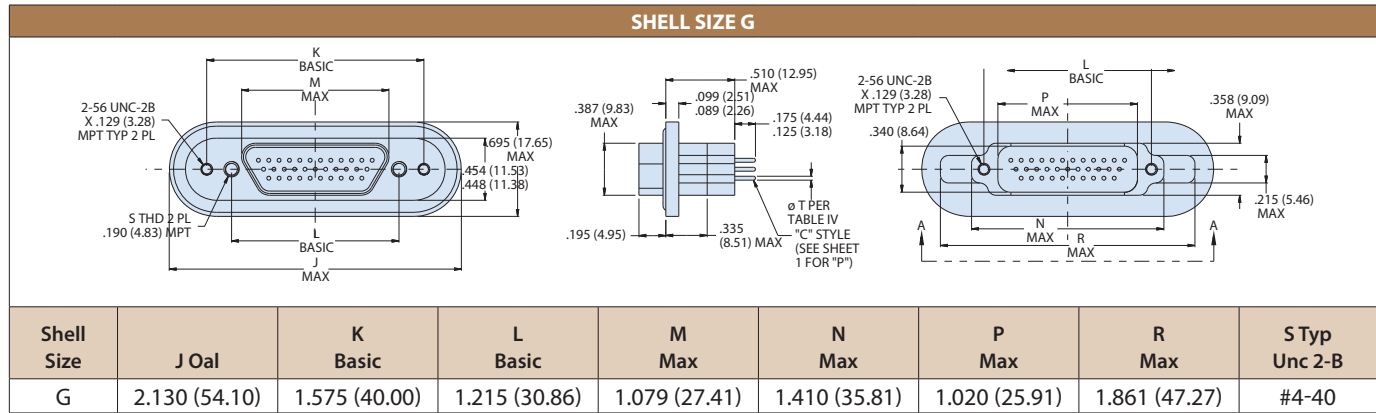
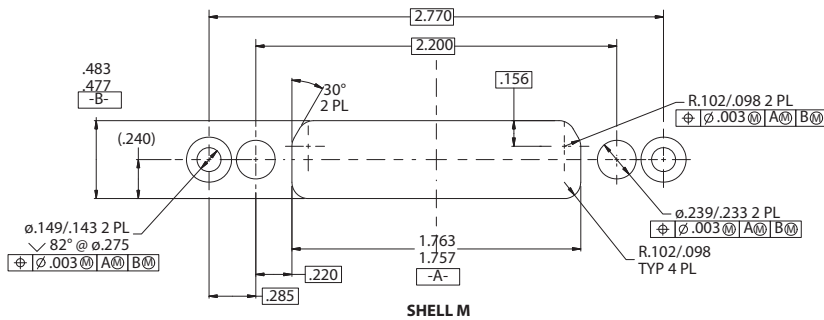
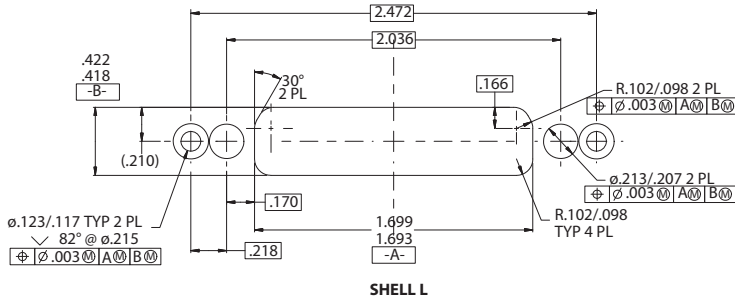
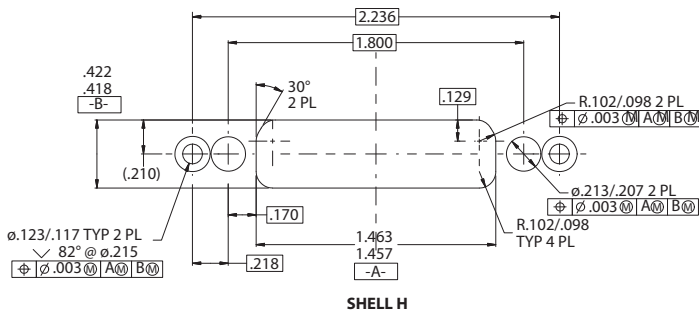
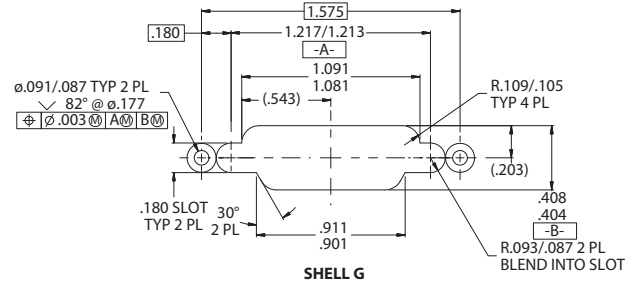
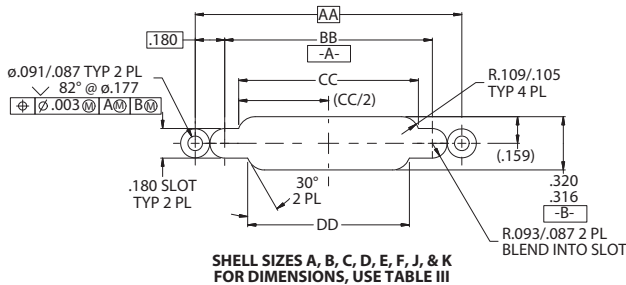


TABLE IV

Contact Size	ø T
23	.022 (0.56); .018 (0.46)
16	.064 (1.63); .061 (1.55)
12	.095 (2.41); .093 (2.36)

790-091 Rear-Panel Mount Hermetic Receptacles, Pin Face With Solder Cups



Shell Size	AA BASIC	BB ±.002	CC ±.005	DD ±.005
A	0.925 (23.50)	0.565 (14.35)	0.396 (10.06)	0.286 (7.26)
B	1.075 (27.30)	0.715 (18.16)	0.546 (13.87)	0.436 (11.07)
C	1.225 (31.12)	0.865 (21.97)	0.696 (17.68)	0.586 (14.88)
D	1.325 (33.65)	0.965 (24.51)	0.796 (20.22)	0.686 (17.42)
E	1.475 (37.47)	1.115 (28.32)	0.946 (24.03)	0.836 (21.23)
F	1.625 (41.28)	1.265 (32.13)	1.096 (27.84)	0.986 (25.04)
J	1.975 (50.17)	1.615 (41.02)	1.448 (36.78)	1.345 (34.16)
K	2.375 (60.33)	2.015 (51.18)	1.848 (46.94)	1.740 (44.20)

Shell Size	U ±.030
A	.240 (6.10)
B	.390 (9.91)
C	.540 (13.72)
D	.640 (16.26)
E	.790 (20.07)
F	.940 (23.88)
G	.900 (22.86)
H	1.450 (36.83)
J	1.290 (32.77)
K	1.690 (42.93)
L	1.710 (43.43)
M	1.880 (47.75)