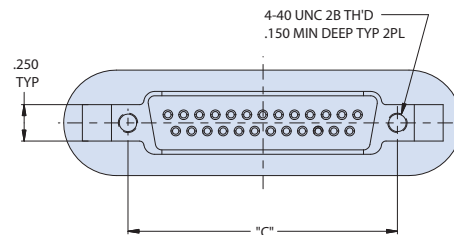
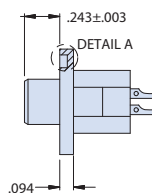
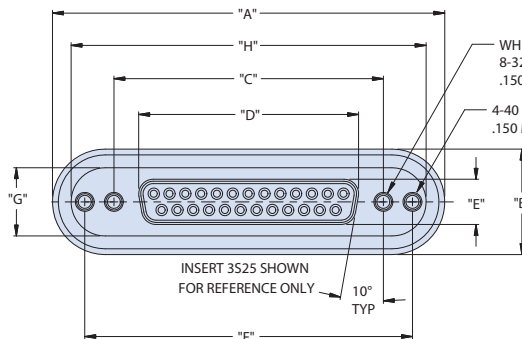
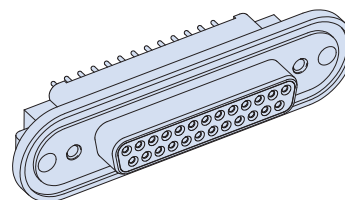
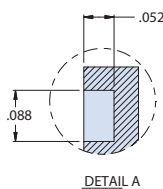
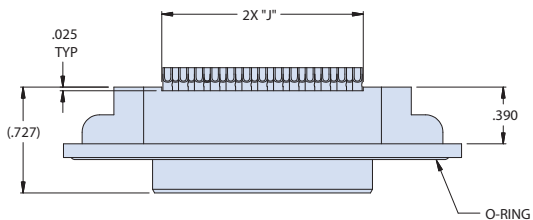




287-587
HiPer-D Advanced M24308/9 Type
CODE RED Lightweight Hermetic,
Solder Cup Receptacle, Rear Panel Mount

Part Number Development					
Sample Part Number	287-587	S	3S25	ME	N
Series / Basic Part No.	HiPer-D advanced M24308-Type CODE RED Lightweight Hermetic				
Contact	S = Socket				
Shell Size / Contact Arrangement	See Tables				
Shell Finish	ME = Electroless Nickel over Aluminum MT = Nickel Fluorocarbon over Aluminum Z1 = Passivated Stainless ZM = Electroless Nickel over Stainless JF - Yellow Chromate over Cadmium				
Hardware Options	N = None (tapped hole) P = 4-40 Female Jack Post G = Guide Pin B = Guide Bushing				



MATERIALS/FINISHES

- Shell - see P/N development
- Inserts - Thermoset Epoxy
- Contacts - Copper alloy / gold over nickel
- Seals - Fluorosilicone silicone blend
- Hardware - Passivated stainless steel

PERFORMANCE

- Dielectric Withstanding Voltage: 1000 Volts
- Insulation Resistance: 5000 Megohms min. @ 500 VDC
- Operating Temperature Range: -65° C to +200° C
- Leak Rate: 1X10⁻⁷ cc/s max helium, 1 atm

Dimensions in Inches (millimeters) are subject to change without notice.

287-587

**HiPer-D Advanced M24308/9 Type
CODE RED Lightweight Hermetic,
Solder Cup Receptacle, Rear Panel Mount**



MIL-DTL-24308
Type

HiPer-D Contact Arrangements		
Shell Size- Contact Arr.	Contact Size and Qty	
	#20	#22D
Standard Density		
1S9	9	
2S15	15	
3S25	25	
4S37	37	
5S50	50	
High Density		
1H15		15
2H26		26
3H44		44
4H62		62
5H78		78
6H104		104

J

Dimensions																			
Shell Size	Insert Pattern	A ±.015		B ±.015		C ±.005		D ±.005		E ±.005		F ±.005		G ±.015		H ±.015		J ±.015	
		In.	mm	In.	mm	In.	mm	In.	mm	In.	mm	In.	mm	In.	mm	In.	mm	In.	mm
1	SD9	1.865	47.4	.725	18.4	.984	25.0	.643	16.3	.311	7.9	1.424	36.2	.469	11.9	1.609	40.9	.520	13.2
	HD15																		
2	SD15	2.200	55.9	.725	18.4	1.312	33.3	.971	24.7	.311	7.9	1.752	44.5	.469	11.9	1.944	49.4	.844	21.4
	HD26																		
3	SD25	2.736	69.5	.725	18.4	1.852	47.0	1.511	38.4	.311	7.9	2.292	58.2	.469	11.9	2.480	63.0	1.386	35.2
	HD44																		
4	SD37	3.385	86.0	.725	18.4	2.500	63.5	2.159	54.8	.311	7.9	2.940	74.7	.469	11.9	3.129	79.5	2.034	51.7
	HD62																		
5	SD50	3.289	83.5	.837	21.3	2.406	61.1	2.064	52.4	.423	10.7	2.846	72.3	.581	14.8	3.033	77.0	1.887	47.9
	HD78																		
6	HD104	3.383	85.9	.899	22.8	2.500	63.5	2.189	55.6	.485	12.3	2.940	74.7	.643	16.3	3.127	79.4	1.990	50.5

Dimensions in Inches (millimeters) are subject to change without notice.