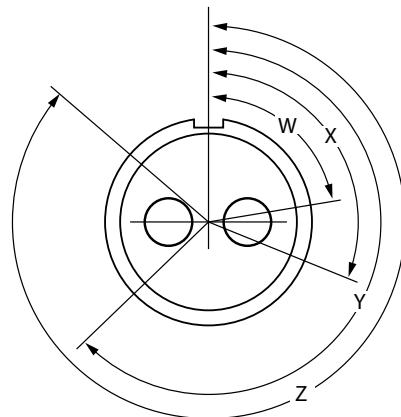




MIL-DTL-5015 Type Hermetic Power and Signal Connectors Alternate Key Positions

Alternate Key Positions				
Insert Arr.	W°	X°	Y°	Z°
8S-1	-	-	-	-
10S-2	-	-	-	-
10SL-3	-	-	-	-
10SL-4	-	-	-	-
12S-3	70	145	215	290
12S-4	-	-	-	-
12-5	-	-	-	-
14S-1	-	-	-	-
14S-2	-	120	240	-
14-3	-	-	-	-
14S-4	-	-	-	-
14S-5	-	110	-	-
14S-6	-	-	-	-
14S-7	90	180	270	-
14S-9	70	145	215	290
16S-1	80	-	-	280
16-2	-	-	-	-
16S-3	-	-	-	-
16S-4	35	110	250	325
16S-5	70	145	215	290
16S-6	90	180	270	-
16-7	80	110	250	280
16S-8	-	170	265	-
16-9	35	110	250	325
16-10	90	180	270	-
16-11	35	110	250	325
16-12	-	-	-	-
16-13	35	110	250	325
18-1	70	145	215	290
18-3	35	110	250	325
18-4	35	110	250	325
18-5	80	110	250	280
18-6	-	-	-	-
18-7	-	-	-	-
18-8	70	-	-	290
18-9	80	110	250	280
18-10	-	120	240	-
18-11	-	170	265	-
18-12	80	-	-	280
18-13	80	110	250	280

Alternate Key Positions				
Insert Arr.	W°	X°	Y°	Z°
18-14	80	110	250	280
18-15	-	120	240	-
18-16	-	-	-	-
18-19	-	120	240	-
18-20	90	180	270	-
18-22	70	145	215	290
18-29	90	180	270	-
20-2	-	-	-	-
20-3	70	145	215	290
20-4	45	110	250	-
20-5	35	110	250	325
20-6	70	145	215	290
20-7	80	110	250	280
20-8	80	110	250	280
20-9	80	110	250	280
20-10	-	-	-	-
20-11	-	-	-	-
20-12	80	110	250	280
20-13	-	-	-	-
20-14	80	110	250	280
20-15	80	-	-	280
20-16	80	110	250	280
20-17	90	180	270	-
20-18	35	110	250	325
20-19	90	180	270	-
20-20	80	110	250	280
20-21	35	110	250	325
20-22	80	110	250	280
20-23	35	110	250	325
20-24	35	110	250	325
20-25	-	-	-	-
20-26	-	-	-	-
20-27	35	110	250	325
20-29	80	-	-	280
20-31	-	-	-	-
20-33	-	-	-	-
22-1	35	110	250	325
22-2	70	145	215	290
22-3	80	110	250	280
22-4	35	110	250	325



Pin Insert Face View,
Socket Face Opposite
Normal Insert Keying Shown

Consult factory regarding any arrangements not listed here.

Alternate Key Positions				
Insert Arr.	W°	X°	Y°	Z°
22-5	35	110	250	325
22-6	80	110	250	280
22-7	-	-	-	-
22-8	35	110	250	325
22-9	70	145	215	290
22-10	35	110	250	325
22-11	35	110	250	325
22-12	80	110	250	280
22-13	353	110	250	325
22-14	80	-	-	280
22-15	80	110	250	280
22-16	80	110	250	280
22-17	80	110	250	280
22-18	80	110	250	280
22-19	80	110	250	280
22-20	35	110	250	325
22-21	80	110	250	180
22-22	-	110	250	-
22-23	35	-	250	-
22-24	80	110	250	280
22-25	80	110	250	280
22-35	-	-	-	-
24-2	80	-	-	280

Dimensions in Inches (millimeters) are subject to change without notice.

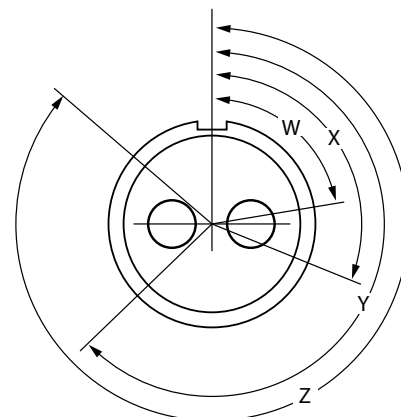
MIL-DTL-5015 Type Hermetic Power and Signal Connectors Alternate Key Positions



MIL-DTL-5015
Type

Alternate Key Positions				
Insert Arr.	W°	X°	Y°	Z°
24-4	80	110	250	280
24-5	80	110	250	280
24-6	80	110	250	280
24-7	80	110	250	280
24-9	35	110	250	325
24-10	80	-	-	280
24-11	35	110	250	325
24-18	-	-	-	-
24-19	-	-	-	-
24-20	80	110	250	280
24-21	80	110	250	280
24-22	45	110	25	-
24-23	80	110	250	280
24-27	80	-	-	280
24-28	80	110	250	280
24-80	35	145	240	300
28-1	80	110	250	280
28-2	35	110	250	325
28-3	70	145	215	290
28-4	80	110	250	280
28-5	35	110	250	325
28-6	70	145	215	290
28-7	35	110	250	325
28-8	80	110	250	280
28-9	80	110	250	280
28-10	80	110	250	280
28-11	80	110	250	280
28-12	90	180	280	-
28-14	80	110	250	280
28-15	80	110	250	280
28-16	80	110	250	280
28-17	80	110	250	280
28-18	70	145	215	290
28-19	80	110	250	280
28-20	80	110	250	280
28-21	80	110	250	280
28-22	70	145	215	290
28-23	-	-	-	-
28-24	-	-	-	-
32-1	80	110	250	280

Alternate Key Positions				
Insert Arr.	W°	X°	Y°	Z°
32-2	70	145	215	290
32-3	80	110	250	280
32-4	80	110	250	280
32-5	35	110	250	325
32-6	80	110	250	280
32-7	80	125	235	280
32-8	80	125	235	280
32-9	80	110	250	280
32-10	80	110	250	280
32-12	80	110	250	280
32-13	80	110	250	280
32-14	35	110	250	325
32-15	35	110	250	280
32-17	45	110	250	-
32-22	110	80	250	280
32-63	-	-	-	-
32-73	36	-	-	-
32-101	65	125	225	310
32-102	65	125	225	310
36-1	80	110	250	280
36-2	-	-	-	-
36-3	70	145	215	290
36-4	70	145	215	290
36-5	-	120	240	-
36-7	80	110	250	280
36-8	80	110	250	280
36-9	80	125	235	280
36-10	80	125	235	280
36-13	80	125	235	280
36-14	90	180	270	-
36-15	60	125	245	305
36-19	80	110	250	280
36-20	-	-	-	-
36-52	72	144	216	288
36-66	110	250	260	280
40-1	65	130	235	300
40-2	80	110	250	280
40-3	80	110	250	280
40-4	80	110	250	280
40-5	80	110	250	280



Pin Insert Face View,
Socket Face Opposite
Normal Insert Keying Shown

Consult factory regarding any arrangements not listed here.

G

Alternate Key Positions				
Insert Arr.	W°	X°	Y°	Z°
40-6	80	110	250	280
40-7	80	110	250	280
40-9	65	125	225	310
40-10	65	125	225	310
40-11	80	110	250	280
40-12	-	-	-	-
40-14	-	-	-	-
40-15	-	-	-	-
40-56	72	144	216	288
40-62	30	130	220	290
44-1	65	125	225	310
44-2	65	125	225	310
44-3	65	125	225	31
44-4	65	125	225	310
44-5	-	-	-	-
44-52	72	135	225	288
48-1	65	125	225	310
48-2	65	125	225	310
48-3	65	125	225	310
48-4	65	125	225	310
48-5	-	-	-	-
48-62	72	144	210	280

Dimensions in Inches (millimeters) are subject to change without notice.

© 2013 Glenair, Inc.

U.S. CAGE Code 06324

Printed in U.S.A.

GLENAIR, INC. • 1211 AIR WAY • GLENDALE, CA 91201-2497 • 818-247-6000 • FAX 818-500-9912
www.glenair.com **G-5** E-Mail: sales@glenair.com

REV. 05/20/22