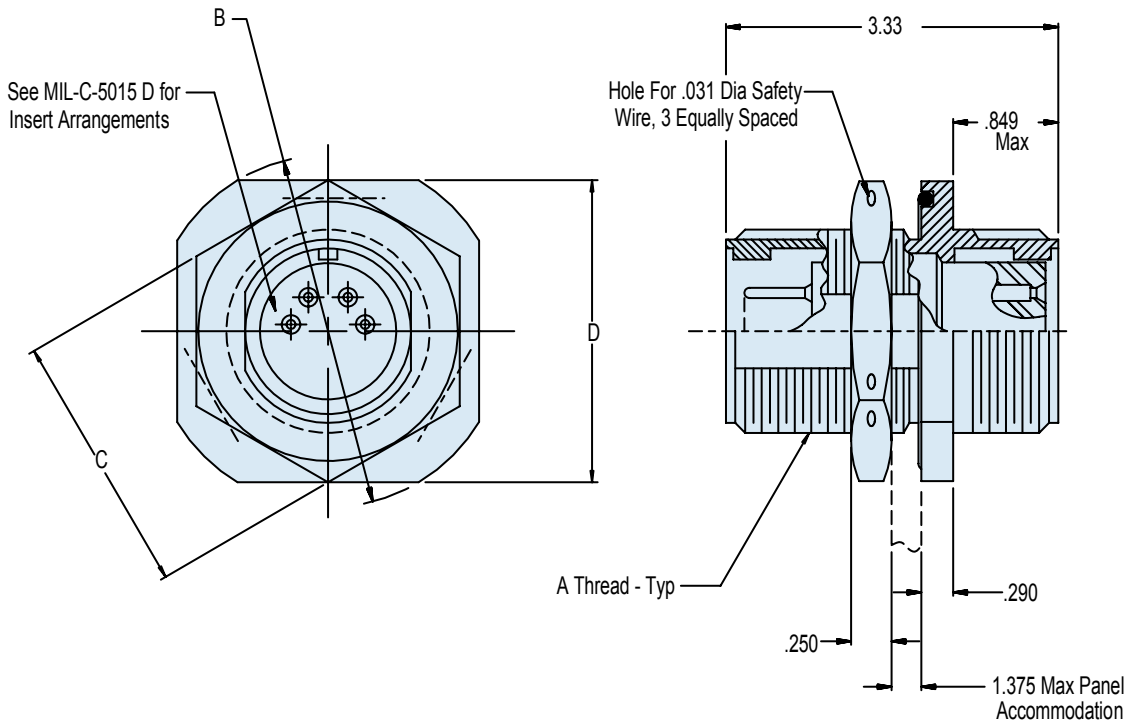
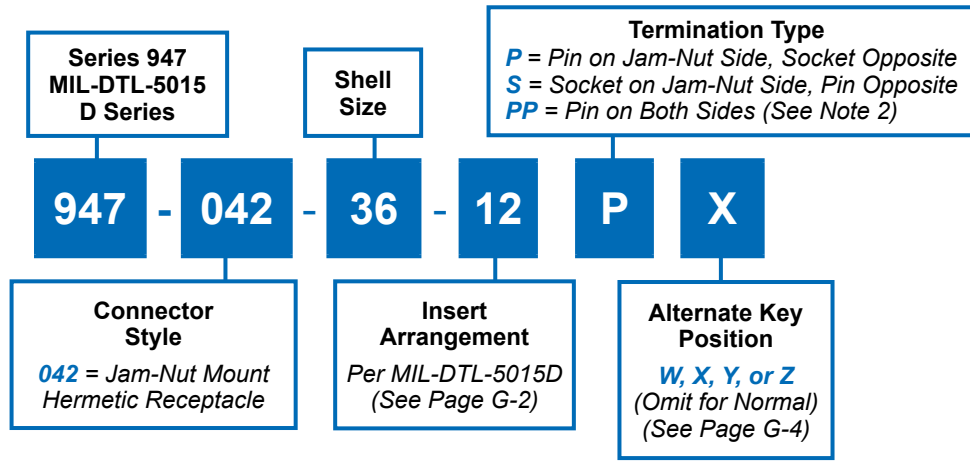


MIL-DTL-5015 Type Hermetic Jam Nut Mount Bulkhead Feed-Through D Series Connector with Pin/Socket Contacts



APPLICATION NOTES

- | | |
|--|--|
| <p>1. Material/Finish:
Jam-nut, hoods, lock-ring, shell* - Stainless steel/passivated.
Contacts - Alloy 52/gold plated.
Insulators - High-grade rigid dielectric, full glass or glass bead.
O-Rings - Silicone/N.A.</p> <p>2. For pin-to-pin, symmetrical layouts only. Power to a given contact on one end will result in power to contact directly opposite regardless of identification letter.</p> | <p>3. Hermeticity - Less than 1×10^{-7} cc/sec at one atmosphere. Not for use in liquid atmosphere. Connector rated to 200° C and 1000 PSI max.</p> <p>4. Outgas for space application.</p> <p>5. To be identified with manufacturer's name, part number and date code, space permitting.</p> <p>6. Metric Dimensions (mm) are indicated in parentheses.</p> |
|--|--|

* Additional shell materials available, including titanium and Inconel®. Consult factory for ordering information.

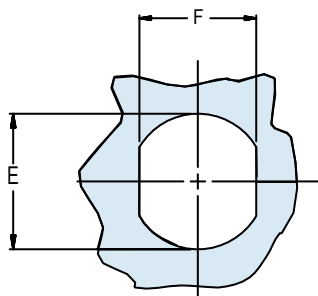
Dimensions in Inches (millimeters) are subject to change without notice.

947-042

MIL-DTL-5015 Type Hermetic
Jam Nut Mount Bulkhead Feed-Through D Series Connector
with Pin/Socket Contacts



MIL-DTL-5015
Type



RECOMMENDED PANEL CUT-OUT

HERMETIC LEAK RATE MOD CODES	
Designator	Required Leak Rate
-585A	1 x 10 ⁻¹⁰ cc Helium per second
-585B	1 x 10 ⁻⁹ cc Helium per second
-585C	1 x 10 ⁻⁸ cc Helium per second

G

TABLE I: CONNECTOR AND CUT-OUT DIMENSIONS

Shell Size	A Thread Class 2A	B Dia Max	C Hex	D Flats	E Dia ± .005 (0.1)	F + .005 -.000 (+0.1 - 0.0)
08	1/2-28 UNEF	1.000 (25.4)	.688 (17.5)	.875 (22.2)	.510 (13.0)	.460 (11.7)
10	5/8-24 UNEF	1.125 (28.6)	.812 (20.6)	1.000 (25.4)	.635 (16.1)	.578 (14.7)
12	3/4-20 UNEF	1.250 (31.8)	.938 (23.8)	1.125 (28.6)	.760 (19.3)	.692 (17.6)
14	7/8-20 UNEF	1.375 (34.9)	1.062 (27.0)	1.250 (31.8)	.885 (22.5)	.817 (20.8)
16	1-20 UNEF	1.500 (38.1)	1.250 (31.8)	1.375 (34.9)	1.010 (25.7)	.942 (23.9)
18	1 1/8-18 UNEF	1.750 (44.5)	1.375 (34.9)	1.625 (41.3)	1.135 (28.8)	1.060 (26.9)
20	1 1/4-18 UNEF	1.875 (47.6)	1.500 (38.1)	1.750 (44.5)	1.260 (32.0)	1.185 (30.1)
22	1 3/8-18 UNEF	2.000 (50.8)	1.625 (41.3)	1.875 (47.6)	1.385 (35.2)	1.310 (33.3)
24	1 1/2-18 UNEF	2.188 (55.6)	1.750 (44.5)	2.000 (50.8)	1.510 (38.4)	1.435 (36.4)
28	1 3/4-18 UNEF	2.438 (61.9)	2.000 (50.8)	2.250 (57.2)	1.760 (44.7)	1.687 (42.8)
32	2-18 UNEF	2.688 (68.3)	2.250 (57.2)	2.500 (63.5)	2.010 (51.1)	1.937 (48.6)
36	2 1/4-18 UN	2.938 (74.6)	2.500 (63.5)	2.750 (69.9)	2.260 (57.4)	2.177 (55.3)

Dimensions in Inches (millimeters) are subject to change without notice.