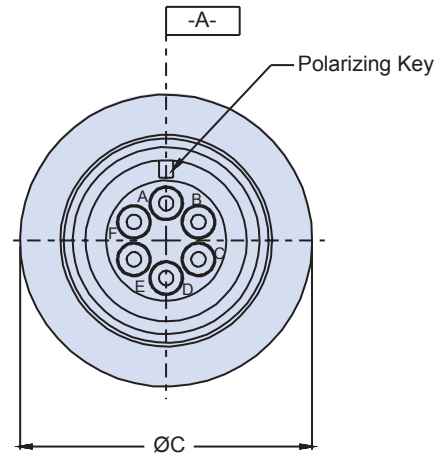
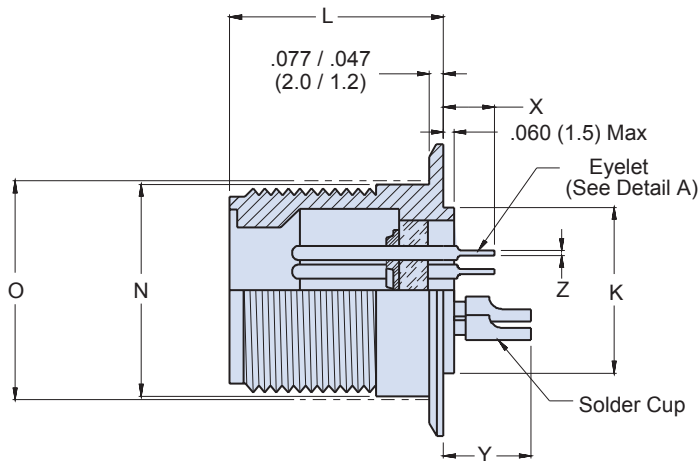
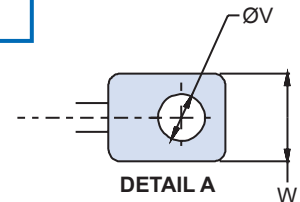
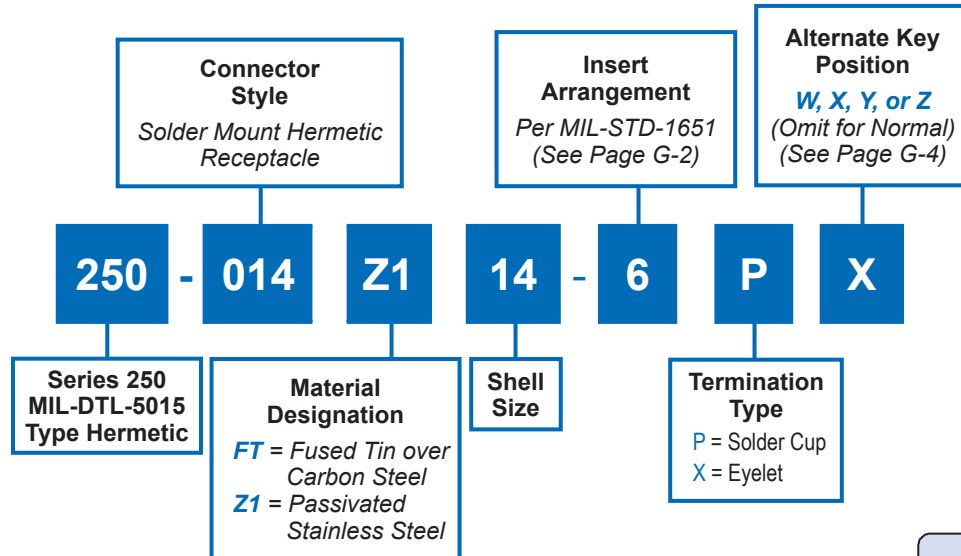


250-014 MIL-DTL-5015 Type Hermetic Threaded Coupling Solder Mount Receptacle Connector MS3143 Type



APPLICATION NOTES

- To be identified with manufacturer's name, part number and date code, space permitting.
- Solder mount receptacle.
- Material/Finish:
Shell* - Fused tin over carbon steel;
Z1 passivated stainless steel
Contacts - 52 Nickel alloy/gold plate
Seals - Silicone elastomer/N.A.
Insulation - Glass beads, NOIBN/N.A.
- Glenair 250-014 will mate with any MIL-DTL-5015 Series threaded coupling plug of same size and insert polarization.
- Performance:
Hermeticity - $<1 \times 10^{-6}$ cc/Sec @ 1 ATM differential.
Dielectric Withstanding Voltage - See Table II.
Insulation Resistance - 5000 Megohms min @ 500VDC.
- Metric Dimensions (mm) are indicated in parentheses.

* Additional shell materials available, including titanium and Inconel®. Consult factory for ordering information.

Dimensions in Inches (millimeters) are subject to change without notice.

250-014
MIL-DTL-5015 Type Hermetic
Threaded Coupling Solder Mount Receptacle Connector
MS3143 Type



MIL-DTL-5015
Type

TABLE I: CONTACT DIMENSIONS

Contact Size	X Max	Y Max	Z Min	V Min	W Max
16	.219 (5.6)	.375 (9.5)	.020 (0.5)	.065 (1.7)	.115 (2.9)
12	.281 (7.1)	.516 (13.1)	.020 (0.5)	.096 (2.4)	.190 (4.8)
8	.700 (17.8)	.719 (18.3)	.040 (1.0)	.135 (3.4)	.330 (8.4)
4	.900 (22.9)	.980 (24.9)	.050 (1.3)	.220 (5.6)	.440 (11.2)
0	.900 (22.9)	.980 (24.9)	.090 (2.3)	.335 (8.5)	.605 (15.4)

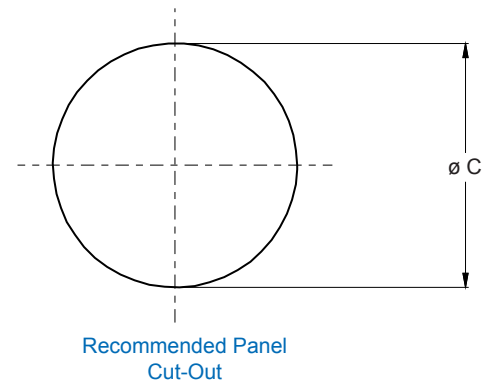
HERMETIC LEAK RATE MOD CODES

Designator	Required Leak Rate
-585A	1 x 10 ⁻¹⁰ cc Helium per second
-585B	1 x 10 ⁻⁹ cc Helium per second
-585C	1 x 10 ⁻⁸ cc Helium per second

Note: Contact sizes 4 and 0 are not available for "S" size shells (8S, 10S, 10SL, 12S, 14S, and 16S) and size 12 and 14

TABLE II: SERVICE RATING

Service Rating	Working Voltage (Volts RMS)
INST	200
A	500
D	900
E	1250
B	1750
C	3000



G

TABLE III: CONNECTOR DIMENSIONS

Size	C Dia ±.010 (0.25)	K Dia ±.010 (0.25)	L Max		N Dia +.000 -.062 (+.000 -.1.6)	O Dia (Ref) Mtg Hole
			Contact Size			
			16, 12 & 8	4 & 0		
8S	.750 (19.1)	.428 (10.9)	.730 (18.5)	-	.532 (13.5)	.562 (14.3)
10S	.875 (22.2)	.490 (12.4)	.730 (18.5)	-	.656 (16.7)	.688 (17.5)
10SL	.875 (22.2)	.490 (12.4)	.730 (18.5)	-	.656 (16.7)	.688 (17.5)
12S	1.000 (25.4)	.646 (16.4)	.730 (18.5)	-	.782 (19.9)	.812 (20.6)
12	1.000 (25.4)	.646 (16.4)	.915 (23.2)	-	.782 (19.9)	.812 (20.6)
14S	1.125 (28.6)	.709 (18.0)	.730 (18.5)	-	.906 (23.0)	.938 (23.8)
14	1.125 (28.6)	.709 (18.0)	.915 (23.2)	-	.906 (23.0)	.938 (23.8)
16S	1.250 (31.8)	.834 (21.2)	.730 (18.5)	1.040 (26.4)	1.032 (26.2)	1.062 (27.0)
16	1.250 (31.8)	.834 (21.2)	.834 (21.2)	1.040 (26.4)	1.032 (26.2)	1.062 (27.0)
18	1.375 (34.9)	.959 (24.4)	.915 (23.2)	1.040 (26.4)	1.156 (29.4)	1.188 (30.2)
20	1.500 (38.1)	1.146 (29.1)	.915 (23.2)	1.040 (26.4)	1.282 (32.6)	1.312 (33.3)
22	1.625 (41.3)	1.240 (31.5)	.915 (23.2)	1.040 (26.4)	1.406 (35.7)	1.438 (36.5)
24	1.750 (44.5)	1.365 (34.7)	.915 (23.2)	1.040 (26.4)	1.532 (38.9)	1.562 (39.7)
28	2.000 (50.8)	1.615 (41.0)	.915 (23.2)	1.040 (26.4)	1.782 (45.3)	1.812 (46.0)
32	2.250 (57.2)	1.865 (47.4)	.915 (23.2)	1.040 (26.4)	2.032 (51.6)	1.062 (27.0)
36	2.500 (63.5)	2.115 (53.7)	.915 (23.2)	1.040 (26.4)	2.282 (58.0)	2.500 (63.5)
40	2.750 (69.9)	2.365 (60.1)	.915 (23.2)	1.040 (26.4)	2.532 (64.3)	2.750 (69.9)
44	3.000 (76.2)	2.615 (66.4)	.915 (23.2)	1.040 (26.4)	2.782 (70.7)	3.000 (76.2)
48	3.250 (82.6)	2.865 (72.8)	.915 (23.2)	1.040 (26.4)	3.032 (77.0)	3.250 (82.6)

Dimensions in Inches (millimeters) are subject to change without notice.