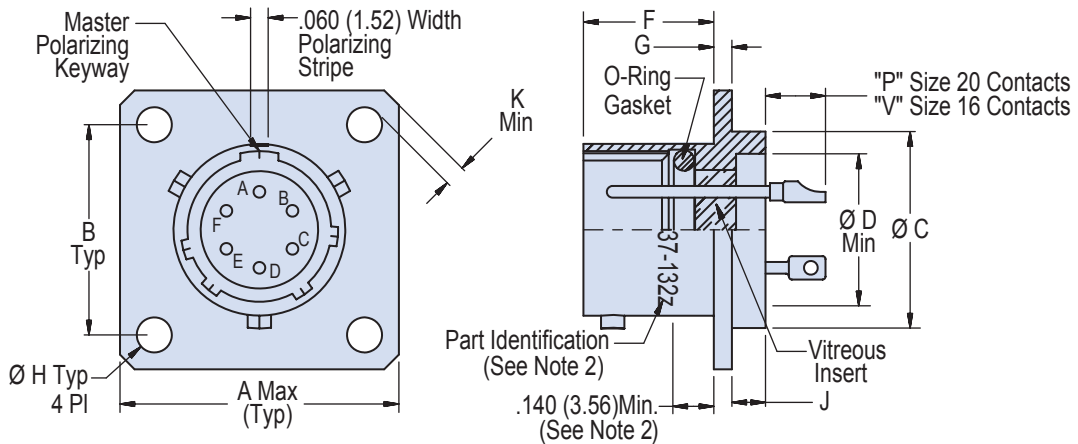
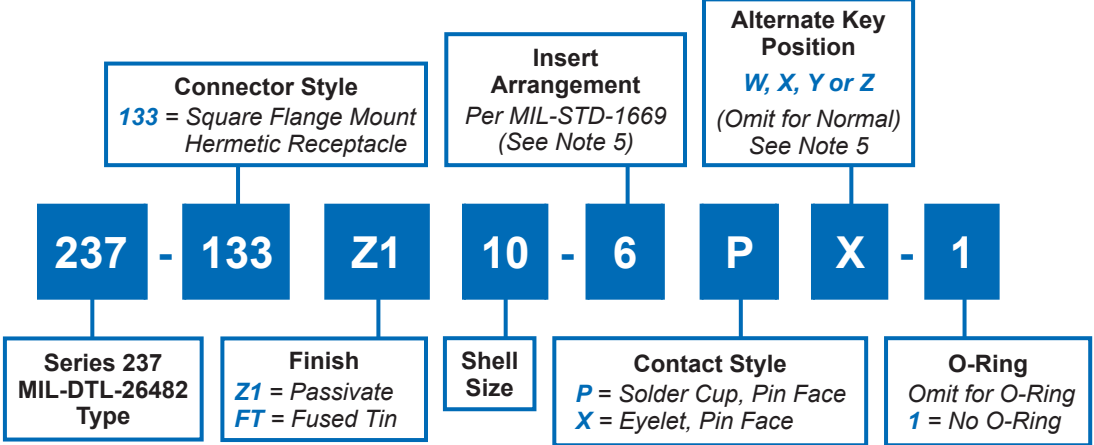




237-133
MIL-DTL-26482 Series I, MS3112 Type Hermetic
Square Flange Mount Receptacle
with Bayonet Coupling and Solder Cup Termination



APPLICATION NOTES

- Material/Finish:
 Z1 Shell - 304 CRES/passivated.
 FT Shell - C1215 CRS/Tin plated.
 Titanium and Inconel® available. Consult factory.
 Contacts - 52 nickel alloy/Tin plate.
 Bayonets - Stainless Steel/passivated.
 O-Ring Seal - Silicone elastomer/N.A.
 Insulator - Glass/N.A.
- To be identified with manufacturer's name, part number and date code, space permitting.
- Hermeticity - $<1 \times 10^{-7}$ cc/sec @ 1 atm differential.
 Dielectric withstanding voltage - Consult factory or MIL-STD-1669.
 Insulation resistance - 5000 megohms min @500VDC.
- Glenair 237-133 will mate with any QPL MIL-DTL-26482 Series I bayonet coupling plug of same size and insert polarization with opposite contact gender.
- Consult factory and/or MIL-STD-1669 for arrangement and insert position options.
- Metric Dimensions (mm) are indicated in parentheses.

237-133
MIL-DTL-26482 Series I, MS3112 Type Hermetic
Square Flange Mount Receptacle
with Bayonet Coupling and Solder Cup Termination



MIL-DTL-26482
Type

D

TABLE I: CONNECTOR AND CUT-OUT DIMENSIONS
(Continued Below)

Shell Size	A	B	C Dia Mounting Locator	D Dia Min	F	G
8	.828 (21.03)	.594 (15.09)	.563/.557 (14.30/14.15)	.403 (10.24)	.462/.431 (11.73/10.95)	.078/.046 (1.98/1.17)
10	.954 (24.23)	.719 (18.26)	.673/.667 (17.09/16.94)	.515 (13.08)		
12	1.047 (26.59)	.812 (20.62)	.782/.776 (19.86/19.71)	.630 (16.00)		
14	1.141 (28.98)	.906 (23.01)	.907/.901 (23.03/22.89)	.755 (19.18)		
16	1.234 (31.34)	.969 (24.61)	1.032/1.026 (26.21/26.06)	.880 (22.35)		
18	1.328 (33.73)	1.062 (26.97)	1.157/1.151 (29.39/29.24)	.980 (24.89)		
20	1.453 (36.91)	1.156 (29.36)	1.251/1.245 (31.78/31.62)	1.105 (28.07)	.556/.525 (14.12/13.34)	.110/.078 (2.79/1.98)
22	1.578 (40.08)	1.250 (31.75)	1.376/1.371 (34.95/34.82)	1.230 (31.24)		
24	1.703 (43.26)	1.375 (34.93)	1.501/1.495 (38.13/37.97)	1.385 (35.18)		

TABLE I: CONNECTOR AND CUT-OUT DIMENSIONS
(Continued from Above)

Shell Size	H	J	K	P	V	Panel Cut-Out Dia
8	.120 (3.05)	.063/.037 (1.60/0.94)	.035 (0.89)	.178/.118 (4.52/3.00)	.248/.118 (6.30/3.00)	.570 (14.48)
10						.680 (3.67)
12						.789 (20.04)
14						.914 (23.22)
16						1.039 (26.39)
18						1.164 (29.57)
20		1.258 (31.95)				
22		.095/.063 (2.41/1.60)	.050 (1.27)	.146/.086 (37.08/2.18)	2.16/.156 (54.86/3.96)	1.383 (35.13)
24	1.508 (38.30)					

HERMETIC LEAK RATE MOD CODES

Designator	Required Leak Rate
-585A	1 x 10 ⁻¹⁰ cc Helium per second
-585B	1 x 10 ⁻⁹ cc Helium per second
-585C	1 x 10 ⁻⁸ cc Helium per second