

Octagonal junction box



How To Order

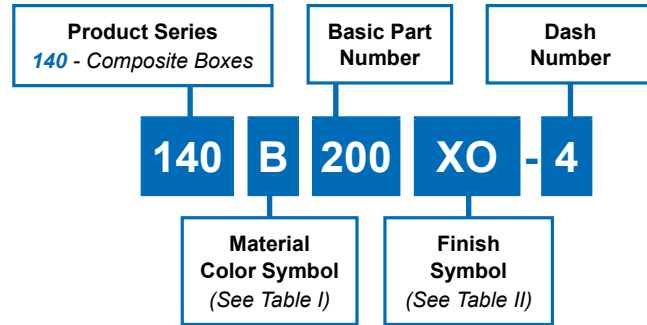


Table I - Finishes	
Symbol	Finish Description
XO	No Plating (Non-Conductive Finish)
XMS	Internal Surfaces - Electroless Nickel External Surfaces - See Table II
XM	All Surfaces - Electroless Nickel
XW	All Surfaces - Cadmium Olive Drab over Electroless Nickel
XZN	All Surfaces - Zinc Nickel/Black

Table II - Material Color & Finish		
Sym	Material & Color	Finish Options
B	Thermoplastic / Black	XO and XMS
G	Thermoplastic / Grey	XO and XMS
-	Thermoplastic / NA	XM, XW and XZN

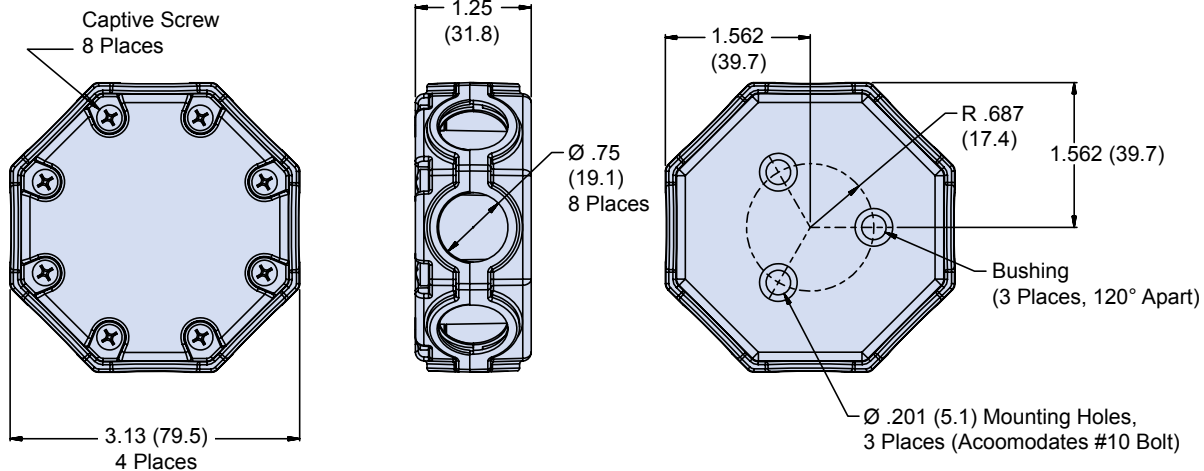
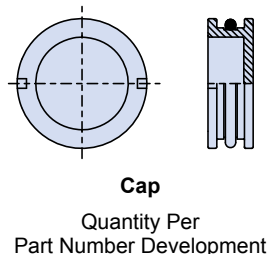


Table III - Key Dimensions		
Box Series Number	External Dimensions	Internal Dimensions (with Aluminum Mounting Plate installed, if applicable)
140-104 Mini	2.55 (64.8) × 3.85 (97.8) × 1.38 (35.1)	2.08 (52.8) × 3.38 (85.9) × 1.06 (26.9)



Notes

Use dash number 0000 for basic box with no additional options beyond your specified finish. 0000 basic box includes #6-32 UNC fasteners. Box series numbers are for reference only. Contact the factory for part number assignment for your specific box configuration.