

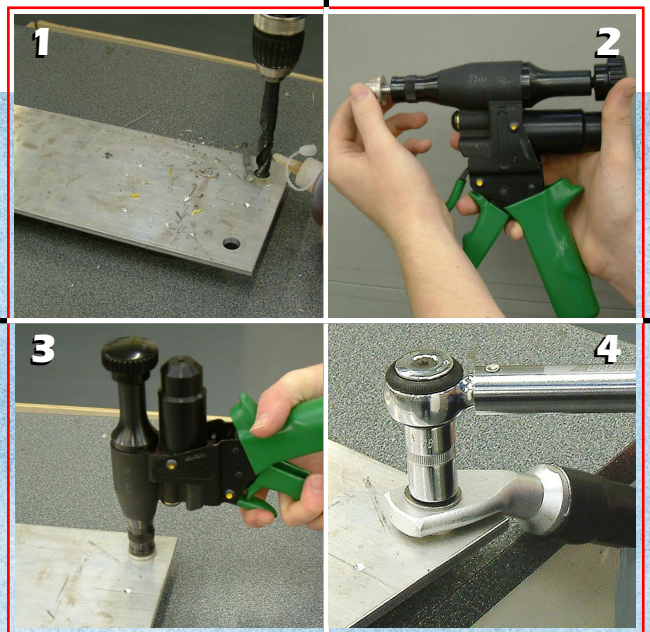
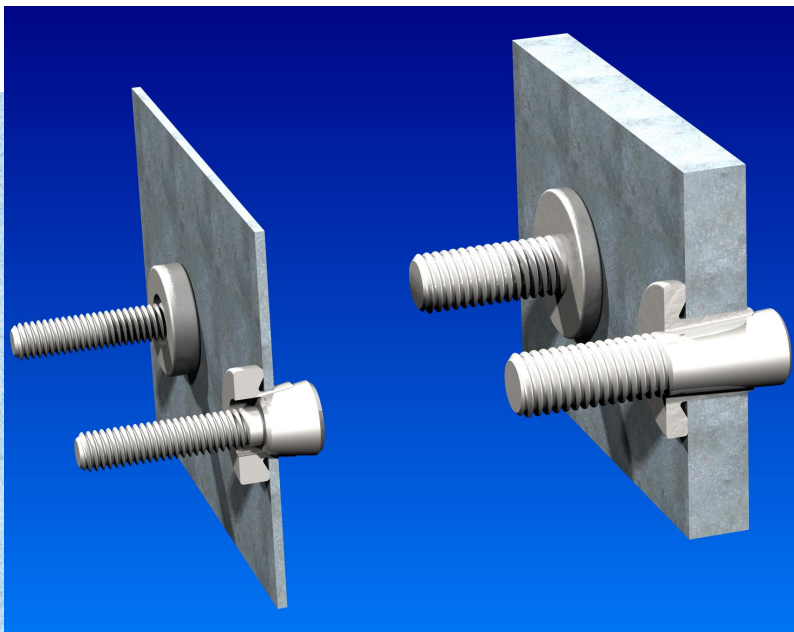


# Earth Bonding

The easy to use, reliable earth bond system

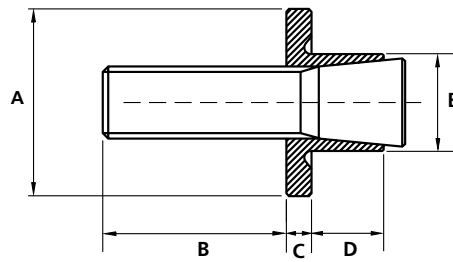
## Drill, Insert, Expand, Connect

- Lightweight hydraulic setting tool.
- Requires no welding, impacting, cleaning or surface preparation.
- Quality repeatable termination even to uneven and curved surfaces.
- Consistent connection providing low electrical resistance.
- Bond is installed from one side only.
- Available for aluminium and steel plates from 1.5mm thick and upwards.
- High strength joint.



# Earth Bonds

## Selection Chart



## Earth Bond Dimension

Dimension shown in parenthesis is approximate stud length from top of flange after setting

Part Number	A	B	C	D	E	Weight PC
80923	16ø	21 (26)	4.5	4.5	11.5ø	16g
80974	16ø	13 (18)	4.5	4.5	11.5ø	14g
80925	16ø	24 (27)	3.5	11	8.5ø	16g
80975	16ø	16 (19)	3.5	11	8.5ø	14g
80924	25ø	24 (31)	5.5	4.5	19.0ø	50g
80926	25ø	28 (31)	3.5	11	13.5ø	42g
80958	16ø	21 (26)	4.5	4.5	11.5ø	12g
80976	16ø	13 (18)	4.5	4.5	11.5ø	12g
80960	16ø	24 (27)	3.5	11	10.5ø	15g
80977	16ø	16 (19)	3.5	11	10.5ø	15g
80959	25ø	24 (31)	5.5	4.5	19.0ø	34g
80961	25ø	28 (31)	3.5	11	15.0ø	36g
81929	20ø	15 (20)	4.5	4.5	15.0ø	29g
81928	20ø	19 (21)	3.5	11	11.5ø	26g
81931	20ø	15 (20)	5.5	4.5	15.0ø	19g
81930	20ø	19 (21)	3.5	11	13.5ø	26g

### Earth Bonds for use with Steel & Stainless Plate

Part Number	Thread Size	Hole Size Ø	Plate Thickness	Torque Value	Setting Tool	Blind Hole Min. Depth
80923	M6	11.5/11.7mm	1.5 - 4mm	8 Nm	PMT6/PMTC6	10.7mm
80925	M6	8.5/8.7mm	> 4mm*	8 Nm	PMT6/PMTC6	14.2mm
80974	M6	11.5/11.7mm	1.5 - 4mm	8 Nm	PMTC6	10.7mm
80975	M6	8.5/8.7mm	> 4mm*	8 Nm	PMTC6	14.2mm
81929	M8	15.0/15.2mm	1.5 - 4mm	15 Nm	PMT8	12.7mm
81928	M8	11.5/11.7mm	> 4mm*	15 Nm	PMT8	15.2mm
80924	M10	19.0/19.2mm	2 - 4mm	34 Nm	PMT10	12.2mm
80926	M10	13.5/13.7mm	> 4mm*	34 Nm	PMT10	14.2mm

### Earth Bonds for use with Aluminium Plate

Part Number	Thread Size	Hole Size Ø	Plate Thickness	Torque Value	Setting Tool	Blind Hole Min. Depth
80958	M6	11.5/11.7mm	1.5-4mm	8 Nm	PMT6/PMTC6	10.7mm
80960	M6	10.5/10.7mm	> 4mm*	8 Nm	PMT6/PMTC6	14.7mm
80976	M6	11.5/11.7mm	1.5-4mm	8 Nm	PMTC6	10.7mm
80977	M6	10.5/10.7mm	> 4mm*	8 Nm	PMTC6	14.7mm
81931	M8	15.0/15.2mm	1.5-4mm	15 Nm	PMT8	12.7mm
81930	M8	13.5/13.7mm	> 4mm*	15 Nm	PMT8	15.2mm
80959	M10	19.0/19.2mm	2-4mm	34 Nm	PMT10	12.7mm
80961	M10	15.0/15.2mm	> 4mm*	34 Nm	PMT10	15.7mm

\* These Earth Bonds are recommended for use if there is no depth limitation

### Hydraulic Setting Tool

Part Number	Pulling Force	Weight	Length	Optional Test Gauge
PMT6	10KN	1,28 kg	185mm	80928
PMTC6	10KN	1,28 kg	185mm	80928
PMT8	18KN	1,28 kg	185mm	80928
PMT10	25KN	1,28 kg	185mm	80928

### Pneumatic Setting Tool

Part Number	Pulling Force	Weight	Dimensions	Application
PMA10	Adjustable 9-28KN	3.70 kg	L270X B140X H320	Earth Bonds: M6 M8, M10